

PN series - PN 800

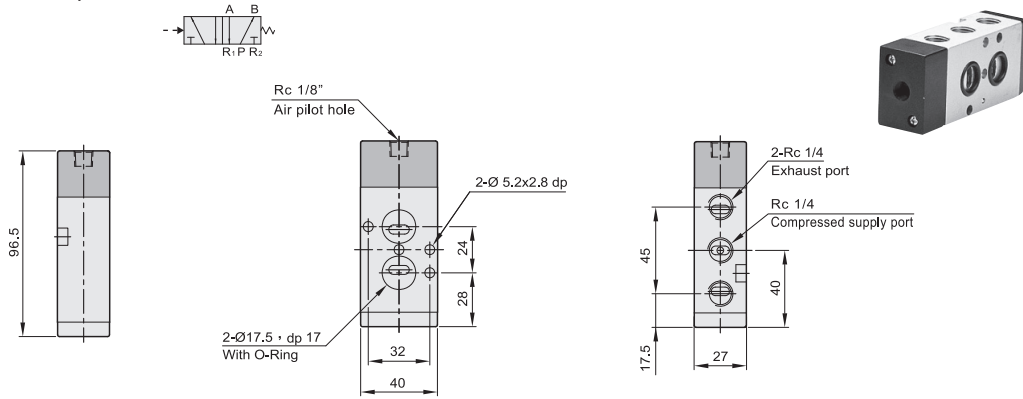
5 ports 2 positions pilot valve

External dimensions / Flank port / NAMUR

CHELIC PNEUMATIC

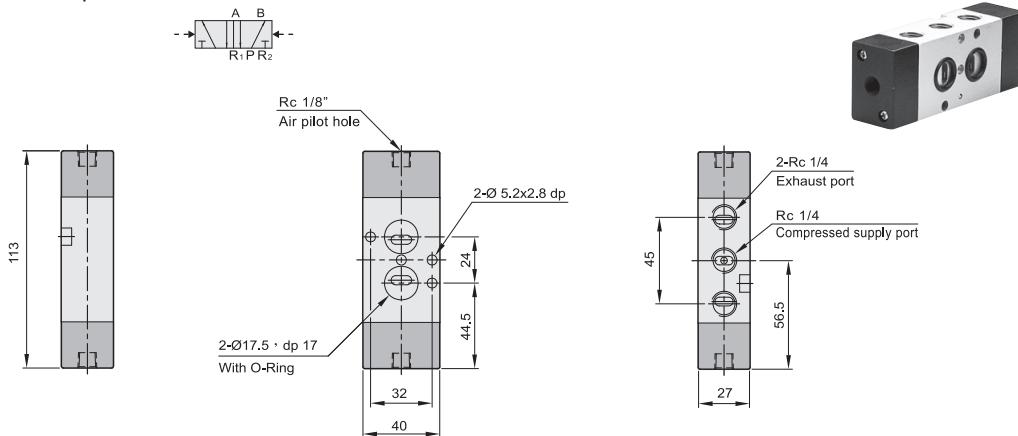
PN - 810 - □

Single air pilot
5 ports 2 positions



PN - 820 - □

Double air pilot
5 ports 2 positions



※ This model is only for air pilot ball valve without manifolds.

How to order

