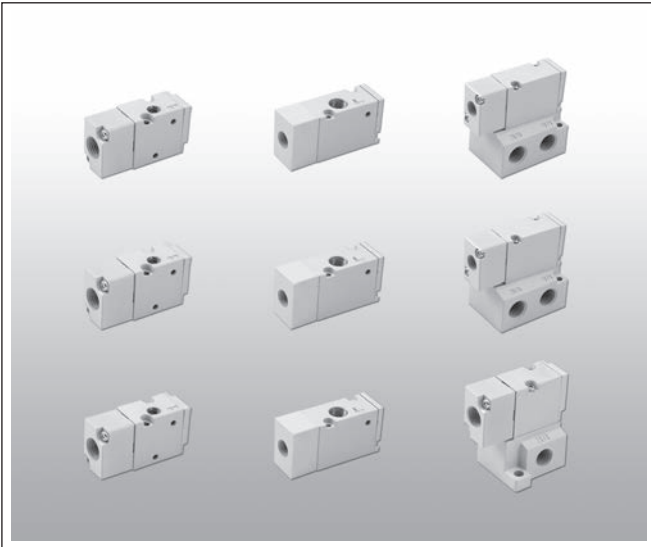


# Directional control - PMU \ PMUB series 3 ports 2 positions pilot valve

Pilot valve - PMU5000 \ 7000 / PMUB5000 \ 7000

CHELIC PNEUMATIC



Provide CAD external dimension.

**PM**  
Pilot  
Valve

**PMB**  
Pilot  
Valve

**PMU**  
Pilot  
Valve

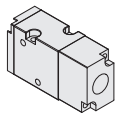
**PMUB**  
Pilot  
Valve

**PV**  
Pilot  
Valve

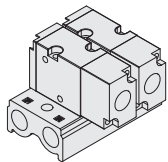
**PN**  
Pilot  
Valve

Small size, big flow rate!  
high speed , react quickly ; ( Under 10 ms )  
with indicator light and voltage protection circuit ;  
air hole can be changed and be added connector.

**Single air pilot valve** (3 ports 2 positions) ----- **PMU - 5000 series** ----- **M5** ----- **P.2-3.39**

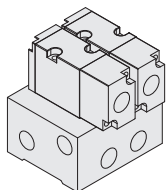
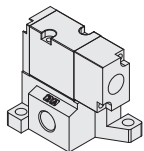


**PMU - 7000 series** ----- **Rc1/8"** ----- **P.2-3-40**



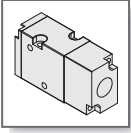
**Double air base type pilot valve** (3 ports 2 positions) ----- **PMUB - 5000 series** ----- **Rc1/8"** ----- **P.2-3.43**

**PMUB - 7000 series** ----- **Rc1/4"** ----- **P.2-3.44**



---

A large grid of graph paper for writing notes, consisting of 20 columns and 30 rows of small squares.

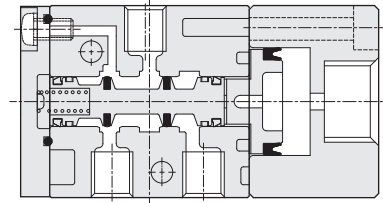


# PMU 5000、7000 series 3 ports 2 positions pilot valve

Operating specification and Order expression

CHELIC PNEUMATIC

## Internal structure



**PM**  
Pilot Valve

**PNB**  
Pilot Valve

**PMU**  
Pilot Valve

**PNMB**  
Pilot Valve

**PV**  
Pilot Valve

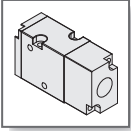
**PN**  
Pilot Valve

## Specification

Item	Model	PMU5000	PMU7000
Fluid		Air	
Pressure range	kgf/cm <sup>2</sup> (Kpa)	1.5 ~ 7 ( 150 ~ 700 )	
Range of temperature	℃	0 ~ 60	
Operating method		Air pilot	
Number of positions ports		3 ports 2 positions	3 ports 2 positions
Valve function		Normal closed / Normal open	
Orifice	mm <sup>2</sup> (CV)	2.16 ( 0.12 )	12.6 ( 0.7 )
Connection port		M5	Rc1/8"
Lubrication		Lubrication free type	

## How to order

<b>PMU</b>	—	<b>5</b>	—	<b>10</b>	—	<b>1</b>	—	<b>NC</b>	—	<b>M</b>	<b>2</b>														
Model		Model number		Air pilot no.		Port size		Valve function		No. of manifolds															
PMU : 3 ports 2 positions Pilot valve		5: 5000 series 7: 7000 series		10: Single		<table border="1"> <thead> <tr> <th>Code</th> <th>Thread size</th> <th>Model</th> </tr> </thead> <tbody> <tr> <td>M5</td> <td>M5x0.8p</td> <td>PMU5000</td> </tr> <tr> <td>1</td> <td>Rc 1/8"</td> <td>PMU7000</td> </tr> </tbody> </table> <p>A hole connection type</p>	Code	Thread size	Model	M5	M5x0.8p	PMU5000	1	Rc 1/8"	PMU7000		<table border="1"> <thead> <tr> <th>Code</th> <th>Type</th> </tr> </thead> <tbody> <tr> <td>NC</td> <td>Normal closed</td> </tr> <tr> <td>NO</td> <td>Normal open</td> </tr> </tbody> </table>	Code	Type	NC	Normal closed	NO	Normal open		<p>None : Without manifold M2 = 2 sets M3 = 3 sets ⋮ M20 = 20 sets</p>
Code	Thread size	Model																							
M5	M5x0.8p	PMU5000																							
1	Rc 1/8"	PMU7000																							
Code	Type																								
NC	Normal closed																								
NO	Normal open																								

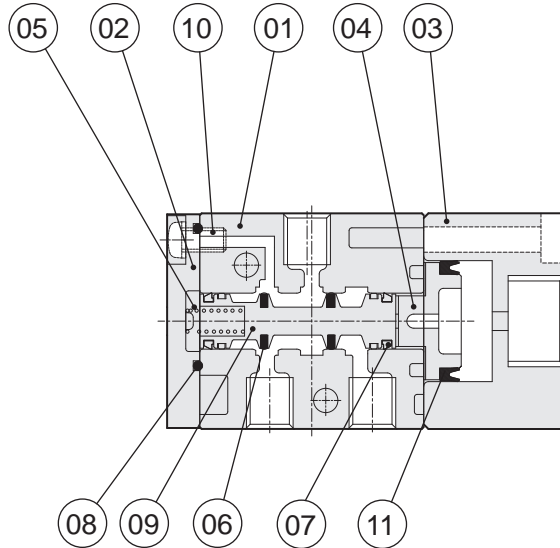
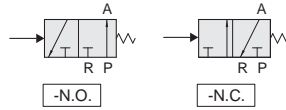


# PMU 5000 ~ 7000 series 3 ports 2 positions pilot valve

## Component and Material list

CHELIC PNEUMATIC

- Single air pilot 3 ports 2 positions



### Material of major parts list

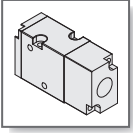
NO.	Item	Material	NO.	Item	Material
01	Body	Aluminum alloy	7	Packing	NBR
02	Back cover	Aluminum alloy	8	Back cover seal ring	NBR
03	Air pilot holder	Aluminum alloy	9	Rod	Aluminum alloy
04	Holder piston	POM	10	Screw	Alloy steel
05	Back cover spring	Stainless steel	11	Packing	NBR
06	Packing	NBR			

Note : Body is treaded with baked painting.

### Packing and O-Ring

Item	Holder piston packing	Back cover piston packing
Model \ Number	1	1
PMU 5000	MYA-10	MYA-7
PMU 7000	MYA-11	MYA-7

Note : Piston packing and Rod packing are imported. (MITSUBISHI , SAKAGAMI and So on)



# PMU series - PMU 5000

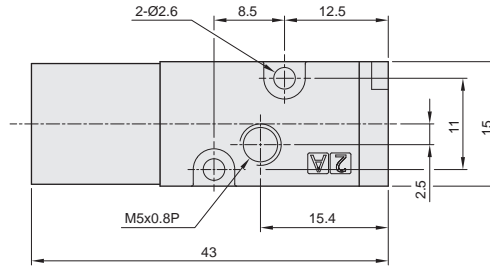
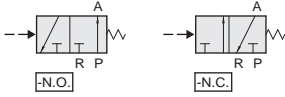
## 3 ports 2 positions pilot valve

External dimensions / Standard type

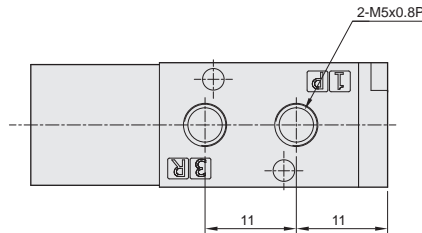
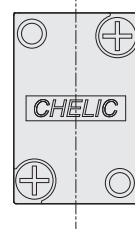
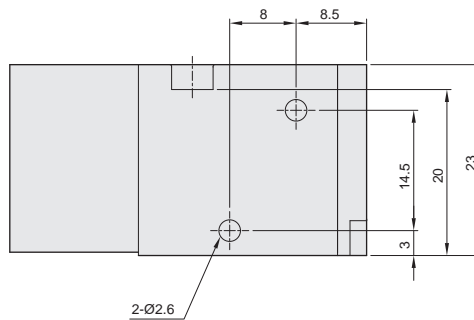
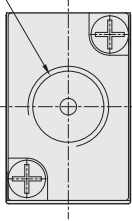
CHELIC PNEUMATIC

### PMU 510M5 - □

Single air pilot  
3 ports 2 positions



Rc 1/8"  
(Air pilot hole)



**PM**  
Pilot  
Valve

**PMB**  
Pilot  
Valve

**PMU**  
Pilot  
Valve

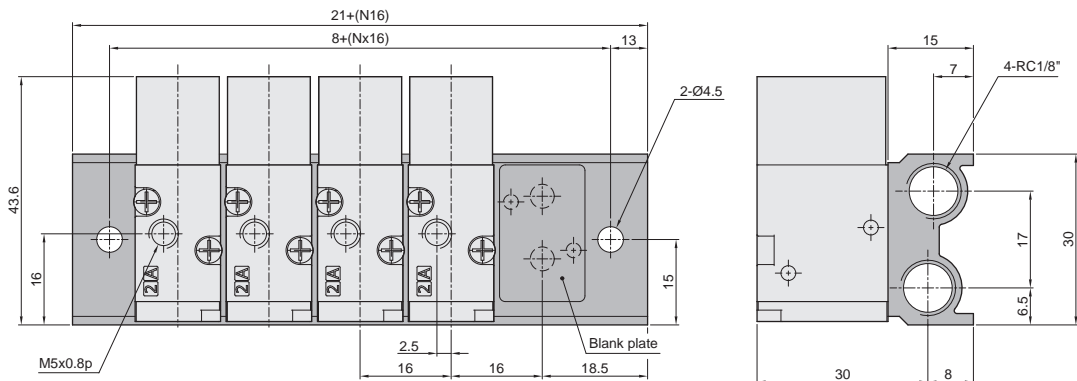
**PMUB**  
Pilot  
Valve

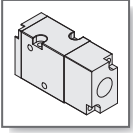
**PV**  
Pilot  
Valve

**PN**  
Pilot  
Valve

### PMU 5000 series - Standard type

Manifold dimension





# PMU series - PMU 7000

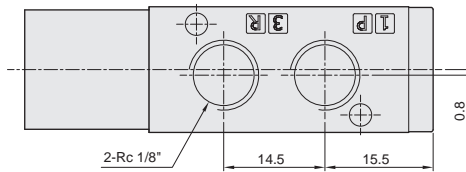
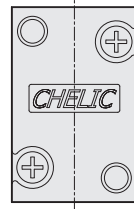
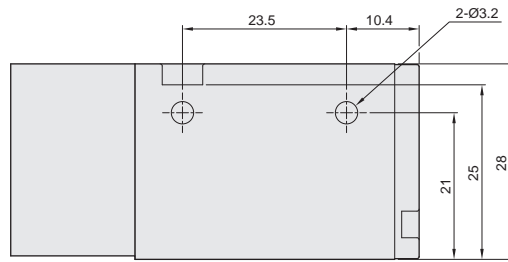
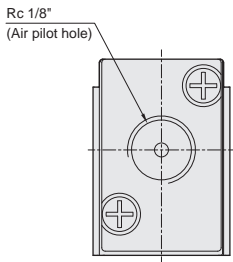
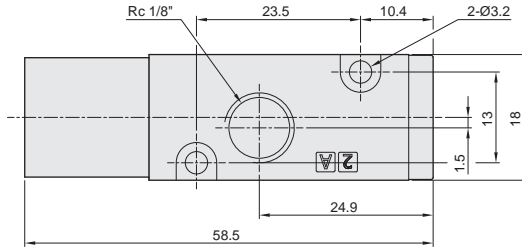
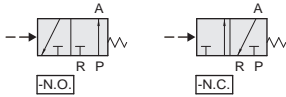
## 3 ports 2 positions pilot valve

External dimensions / Standard type

CHELIC PNEUMATIC

### PMU 7101 - □

Single air pilot  
3 ports 2 positions



### PMU 7000 series - Standard type

Manifold dimension

