

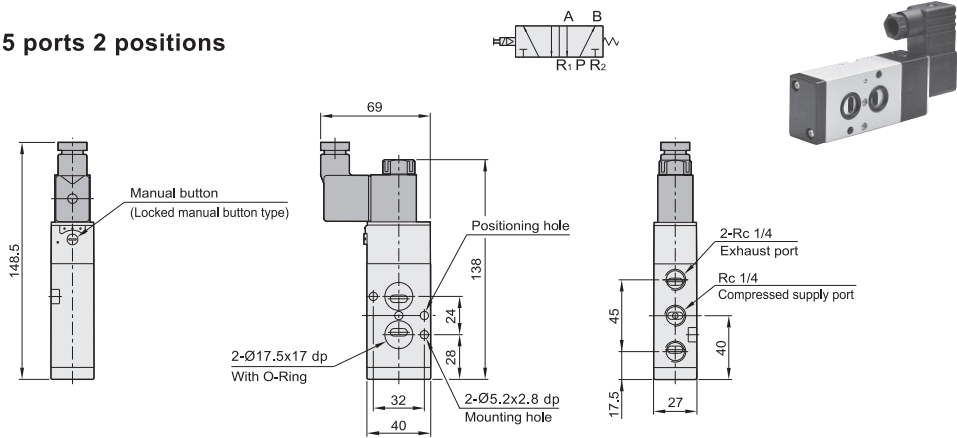
SN series - SN 800 Solenoid valve - 5 ports 2 positions

External dimensions / Flank port / NAMUR

CHELIC PNEUMATIC

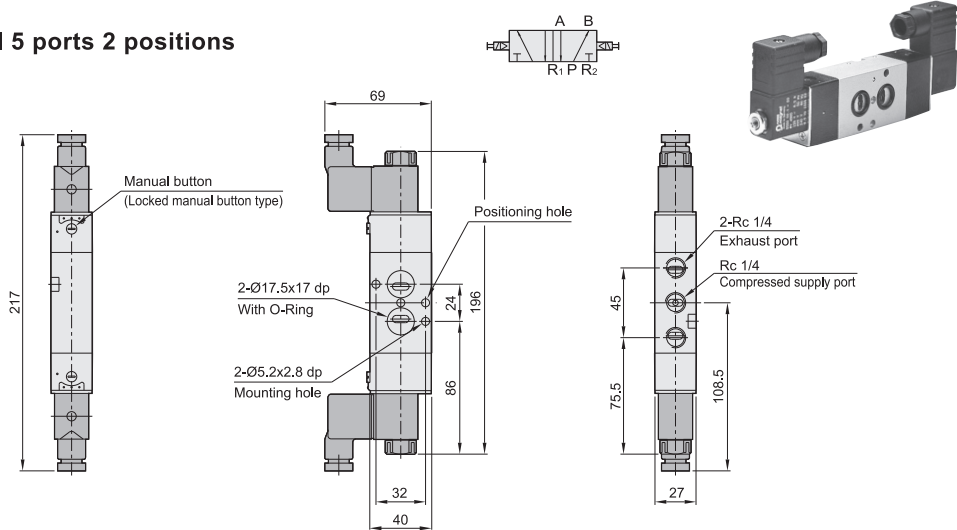
SN - 810

Single coil 5 ports 2 positions



SN - 820

Double coil 5 ports 2 positions



How to order

SN	8	1	0	110 VAC	K	L
SN series Solenoid valve	Model	Coil no.	Positions no.	Voltage type	Connection type	With indicator light
	8 : 800 series	1 : Single 2 : Double	0 : 2 Pos.	Standard : 24 VDC / 2.5W 110 VAC / 5VA 220 VAC / 5VA Special voltage : 12 VDC / 2.5W 24 VAC / 8.5VA 220 VAC / 8.5VA Suitable for 190~250V (For high pressure range)	ISO Socket solenoid type (Special voltage option)	None (Standard) Without indicator light (Black case) ISO Socket solenoid type with indicator light for AC, DC (Transparent case)
					Solenoid with wire (500mm) (Wired solenoid are standard voltage only)	

SM
Solenoid Valve

SMB
Solenoid Valve

SMU
Solenoid Valve

SMUB
Solenoid Valve

SR
Solenoid Valve

SRB
Solenoid Valve

SRU
Solenoid Valve

SRUB
Solenoid Valve

SRK
Solenoid Valve

SK
Solenoid Valve

SNK
Solenoid Valve

SKU
Solenoid Valve

SV
Solenoid Valve

SN
Solenoid Valve

SV310
Solenoid Valve