

VAB series - Vacuum ejectors

VAS series - Vacuum pressure switch

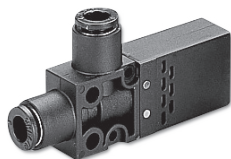
Operation specification and Function table

CHELIC PNEUMATIC

● VAB vacuum ejector

● VAS pressure switch

● VABS ejector with switch



EV
Vacuum
Ejectors

VA □
Vacuum
(Ejectors /
Pressure Switch)

VM □
Vacuum
Ejectors

VM □ **U**
Vacuum
Ejectors

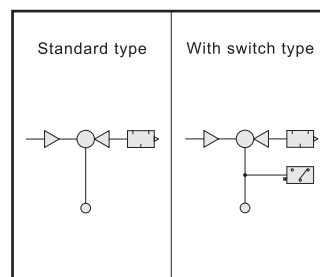
VFD
Vacuum
Filter

VFM
Vacuum
Filter

🔍 Specification

🔍 Example of application

Item \ Model	VAB - 0704	VAB - 0706	VAB - 1204	VAB - 1206	VAB - 1508	VAB - 1510
Fluid	Air					
Range of service temperature °C	0 ~ 60					
Lubrication	Unnecessary					
Range of pressure (Mpa)	0.1 ~ 1.6 [1.0 ~ 6.0Kgf / cm ²]					
Nozzle diameter (mm)	Ø 0.7	Ø 0.7	Ø 1.2	Ø 1.2	Ø 1.5	Ø 1.5
Max. Vacuum value	- 91.8 Kpa [- 690 mmHg]					
Tube size (mm)	Ø 4	Ø 6	Ø 4	Ø 6	Ø 8	Ø 1.0

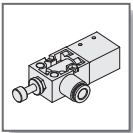


🔍 Vacuum ejectors performance table

Item \ Model	Nozzle diameter mm	Port size	Exhaust capacity L/min	Max.Vacuum degree -Kpa [-mmHg]	Air consumption L/min	Supply air pressure -Mpa [Kg/cm ²]
VAB-0704	0.7	Ø 4	6	86.7 [650]	13	0.5 [5]
VAB-0706	0.7	Ø 6	27	91.8 [690]	44	0.5 [5]
VAB-1204	1.2	Ø 4	63	91.8 [690]	100	0.5 [5]
VAB-1206	1.2	Ø 6	110	91.8 [690]	180	0.5 [5]
VAB-1508	1.5	Ø 8	110	91.8 [690]	180	0.5 [5]
VAB-1510	1.5	Ø 10	110	91.8 [690]	180	0.5 [5]

🔍 Vacuum signal confirmation device

Item \ Model	VAS - 04	VAS - 06	VAS - 08	VAS - 10
Setting range (kpa)	-39.9 [-300mmHg]	- 20.0 ~ - 53.2 [- 150 ~ - 400mmHg]		
Setting value before operational (kpa)	-39.9 [-300mmHg]	- 46.6 [- 350mmHg]		
Accuracy (kpa)	± 5.3 [± - 40mmHg]			
Hysteresis (kpa)	4.0 ~ 13.3 [30 ~ 100mmHg]			
Electrical rating	AC125V : 5A , AC250V : 3A			
Range of operating temperature °C	0 ~ 60			
Port size	Ø 4	Ø 6	Ø 8	Ø 10



VAB series - Vacuum ejectors

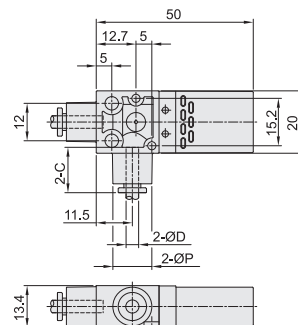
VAS series - Vacuum pressure switch

External dimension and Order expression

CHELIC PNEUMATIC

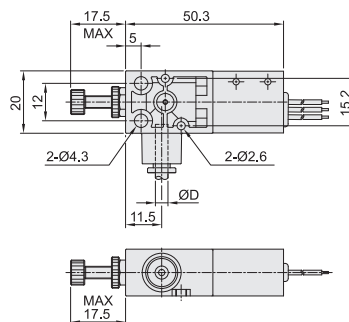
◉ VAB - Vacuum ejector

Model	Item	Port size Ø D	Ø P	C	Weight (g)
VAB-0704		Ø 4	12.4	14.5	18
VAB-0706		Ø 6		16	18.5
VAB-1204		Ø 4		14.5	18.5
VAB-1206		Ø 6		16	18
VAB-1508		Ø 8		16	18
VAB-1510		Ø 10		16	18



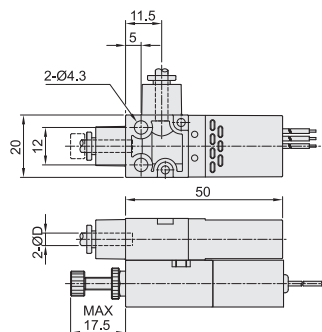
◉ VAS - Vacuum ejector

Model	Item	Port size Ø D	Weight (g)
VAS-04		Ø 4	29
VAS-06		Ø 6	29
VAS-08		Ø 8	29
VAS-10		Ø 10	29



◉ VABS - Vacuum ejector with pressure switch

Model	Item	Port size Ø D	Weight (g)
VABS-0704		Ø 4	46.5
VABS-0706		Ø 6	46
VABS-1204		Ø 4	47
VABS-1206		Ø 6	47.5
VABS-1508		Ø 8	47.5
VABS-1510		Ø 10	47.5



◉ How to order

