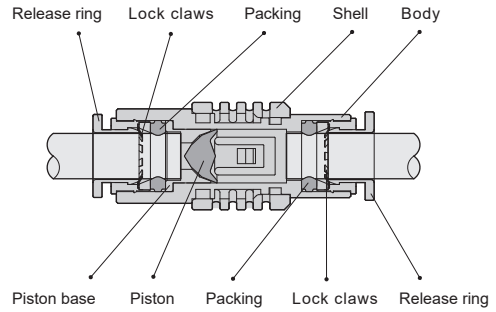


# QE series Quick Exhaust Valve

Product features/ Code of order

**CHELIC**

## Internal structure



**MV**

**HVL**

**HVM**

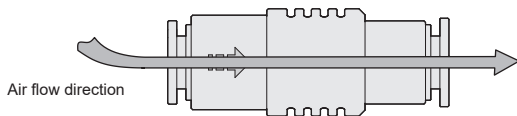
**HVT**

**QE**

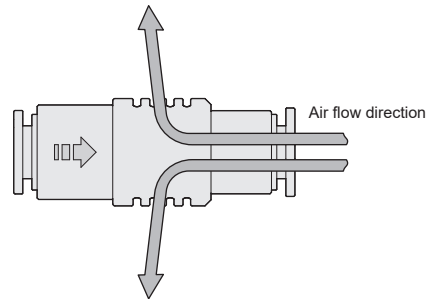
**FVA**

## How exhaust valve operate

When under the normal condition



When under quick exhausting condition

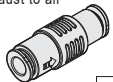


## Code of order

**QEH**

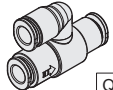
Model

Exhaust to air



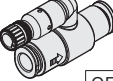
QEH

Concentrated exhaust



QEU

Adjustment



QEUC

**06**

Port size

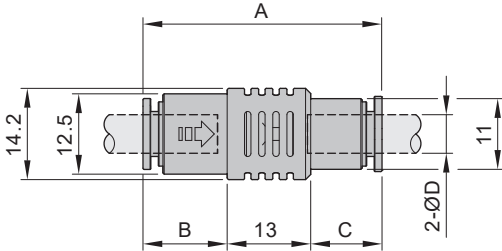
Mark	Size
04	Ø4 mm
06	Ø6 mm

# QE series Quick Exhaust Valve

## Dimensions

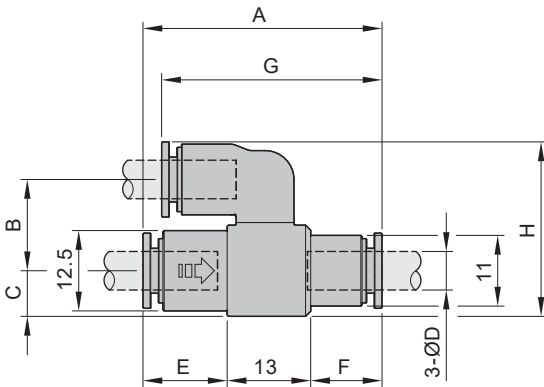
CHELIC

### QE series Quick exhaust valve (Exhaust to air)



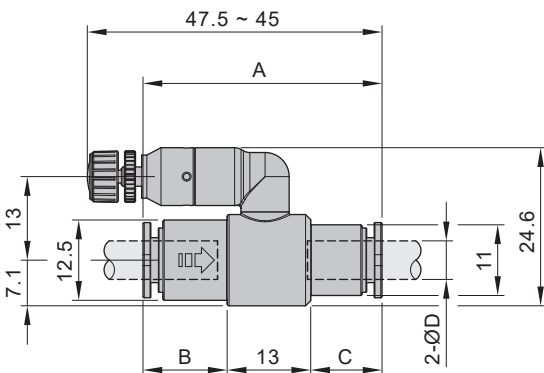
Model	A	B	C	ØD	Effective orifice mm <sup>2</sup>	Weight (g)
QE - 4	36	12.5	10.5	Ø4	1.5	6
QE - 6	37.5	13	11.5	Ø6	3.5	7

### QEU series Quick exhaust valve (Concentrated exhaust)



Model	A	B	C	ØD	E	F	G	Effective orifice mm <sup>2</sup>	Weight (g)
QEU - 4	36	13	7.1	Ø4	12.5	10.5	35	1.5	8
QEU - 6	37.5	14.2	7.1	Ø6	13	11.5	32.5	3.5	9

### QEUC series Quick exhaust valve (Adjustable)



Model	A	B	C	ØD	Effective orifice mm <sup>2</sup>	Weight (g)
QEUC - 4	36	12.5	10.5	Ø4	1.5	12
QEUC - 6	37.5	13	11.5	Ø6	3.5	13