



Vacuum pad / Suction mark prevention type

Specification and Order expression

CHELIC

How to order

PAQ	F	10		N	P	R
Vacuum pad	Bracket	Pad diameter	Stroke	Vacuum pad material	Gasket material	With free holder
PAW series Vacuum pad	Vertical connection F	Mark Diameter (mm) 06 Ø 6 08 Ø 8 10 Ø 10 15 Ø 15 20 Ø 20 30 Ø 30 40 Ø 40 50 Ø 50	Type Mark Diameter (mm) 06 3 3 mm 10 10 10 mm 08 3 3 mm 10 10 10 mm 10 4 4 mm 15 10 10 mm 15 4 4 mm 20 6 6 mm 15 15 mm 30 6 6 mm 15 15 mm 40 6 6 mm 15 15 mm 50 6 6 mm 15 15 mm	N: NBR (Black) (Standard) S: (Silicon) Silicon rubber SE: Anti-static rubber (Surface resistance 10 ⁴ ~10 ⁶ Ω) E: Low resistance & anti-static rubber (Surface resistance 200Ω) Note: SE, E Customized	P: POM (White) (Standard)	Rotary bracket Outer dia. (mm) PAR 05 Ø05~Ø15 PAR 20 Ø20~Ø50 Note: According to vacuum pad specification to apply proper free holder. Please refer to P.3-2.81 for dimensions.
	Vertical connection (With fitting) K					
	Horizontal connection T					
	Vertical spring type FS					
	Horizontal spring type TS					

Note 1: Only available to PAGFS, PAGTS series.
2: Please refer to P.3-2.49 ~ P.3-2.50

Gasket material

Mark	Material	Color
P	POM	White

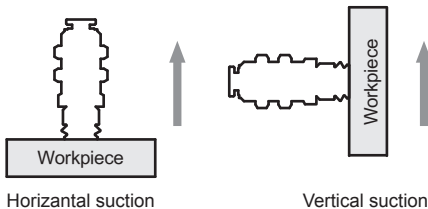
Vacuum pad material

Mark	Material	Hardness (HS)	Ambient and fluid temperature	Color	Surface resistance
N	NBR(Rubber)	A60/S	-26~120°C	Black	-
S	Silicon, Silicon rubber	A60/S	-60~250°C	White	-
SE	Anti-static rubber	A50/S	-60~250°C	Black	10 ⁴ ~10 ⁶ Ω · cm
E	Low resistance & anti-static rubber	A60/S	-60~250°C	Black	200Ω · cm

Note: 1. Rubber conductive type means each cm³ has resistance.
2. It is the output value according to ours testing object.

Calculation formula

Suction type



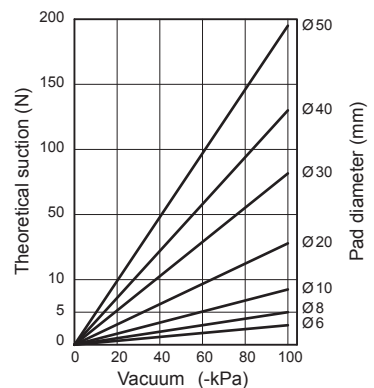
Calculation formula

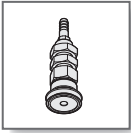
$$W = \frac{P \times A}{10}$$

W: Force N
P: Vacuum pressure kPa
A: Pad area cm²

Theoretical suction

Pad diameter: Ø6~Ø50mm





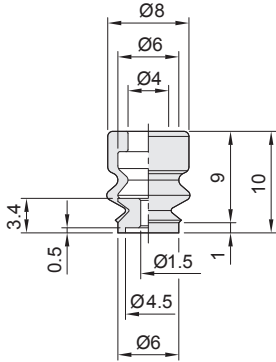
Vacuum pad / Suction mark prevention type

The vacuum pad specification and type -
Suction mark prevention type PAQ series

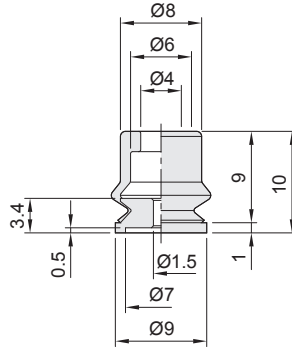
CHELIC

Oval vacuum pad size

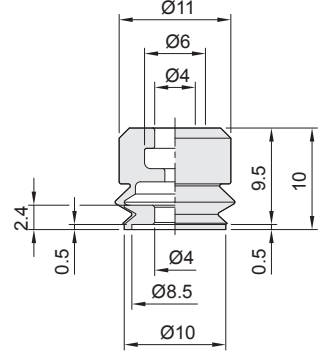
● PAQ 06



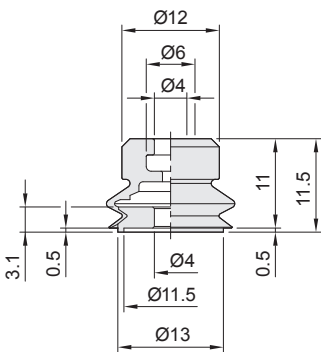
● PAQ 08



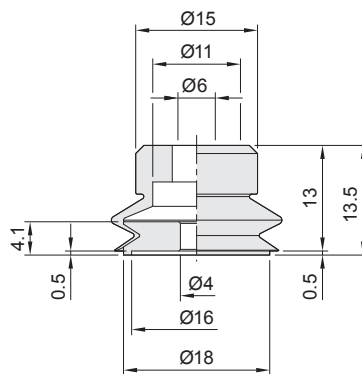
● PAQ 10



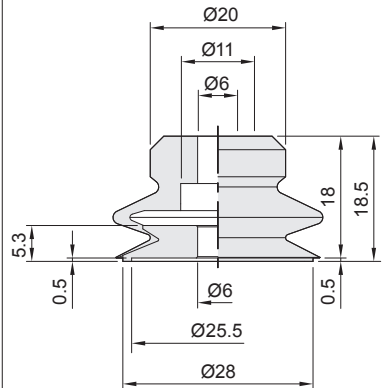
● PAQ 15



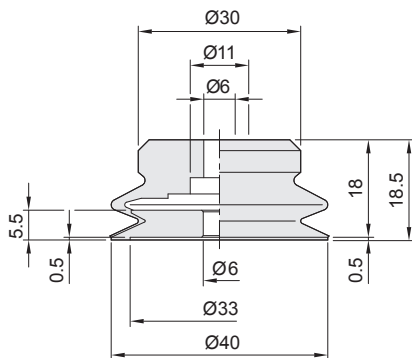
● PAQ 20



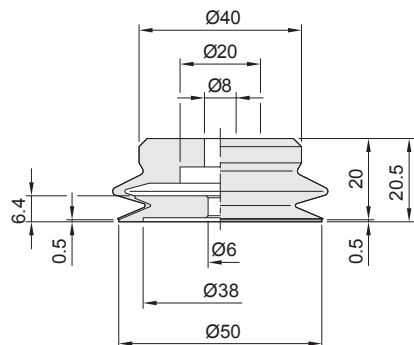
● PAQ 30

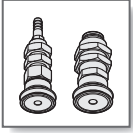


● PAQ 40



● PAQ 50



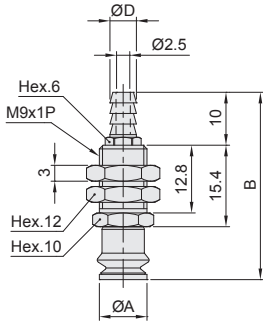


Vacuum pad / Suction mark prevention type

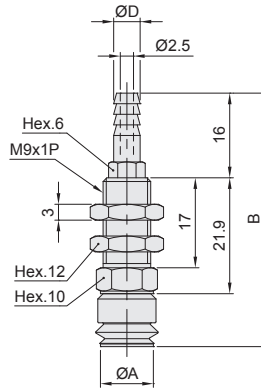
External dimensions - Suction mark prevention type PAQF series /
Vertical entry, PAQK series - with fitting

CHELIC

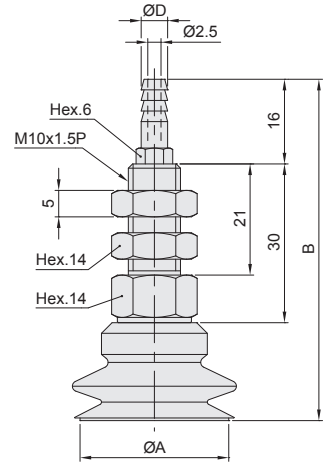
PAQ **F** - 06, 08



PAQ **F** - 10, 15

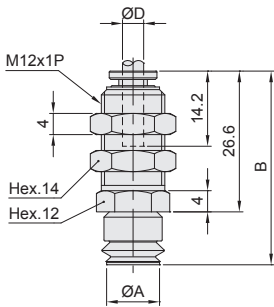


PAQ **F** - 20, 30, 40, 50

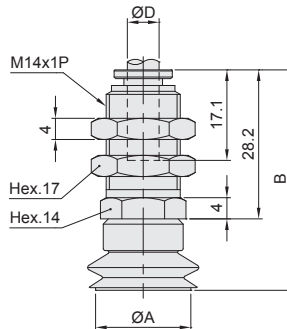


Type	Tube outer dia. x Inner dia. Ø D	Pad dia. Ø A	Whole length B
PAQ F - 06	6x4	6	35.4
PAQ F - 08	6x4	9	35.4
PAQ F - 10	6x4	10	45.4
PAQ F - 15	6x4	13	45.4
PAQ F - 20	6x4	18	65
PAQ F - 30	6x4	28	64.5
PAQ F - 40	6x4	40	64.5
PAQ F - 50	6x4	50	66.5

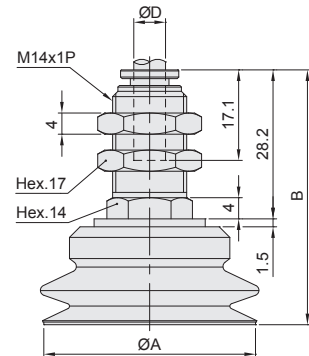
PAQ **K** - 06, 08, 10, 15



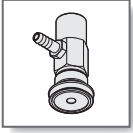
PAQ **K** - 20, 30



PAQ **K** - 40, 50



Type	Tube outer dia. x Inner dia. Ø D	Pad dia. Ø A	Whole length B
PAQ K - 06	4	6	36.6
PAQ K - 08	4	9	36.6
PAQ K - 10	4	10	36.6
PAQ K - 15	4	13	38.1
PAQ K - 20	6	18	41.7
PAQ K - 30	6	28	46.7
PAQ K - 40	6	40	48.2
PAQ K - 50	6	50	50.2



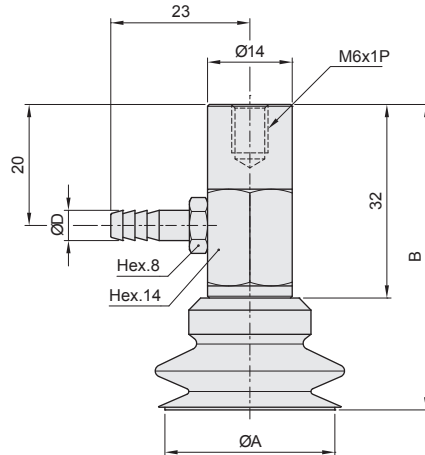
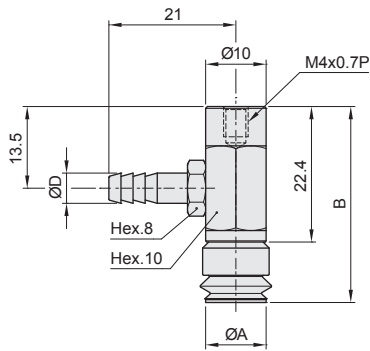
Vacuum pad / Suction mark prevention type

External dimensions - Suction mark prevention type PAQT series /
Side entry

CHELIC

○ PAQT - 06, 08, 10, 15

○ PAQT - 20, 30, 40, 50



Type	Tube outer dia. x Inner dia. ØD	Pad dia. ØA	Whole length B
PAQT - 06	6x4	6	32.4
PAQT - 08	6x4	9	32.4
PAQT - 10	6x4	10	32.4
PAQT - 15	6x4	13	33.9
PAQT - 20	6x4	18	45.5
PAQT - 30	6x4	28	50.5
PAQT - 40	6x4	40	50.5
PAQT - 50	6x4	50	52.5



Vacuum pad / Suction mark prevention type

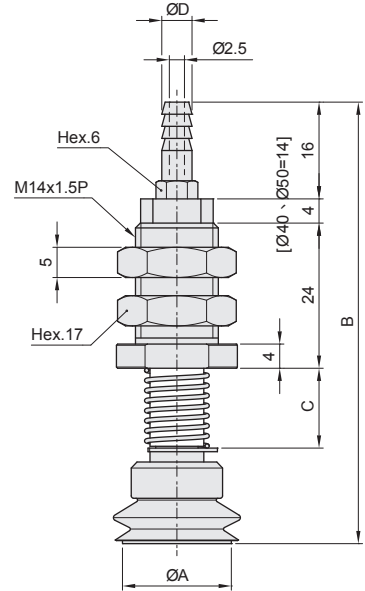
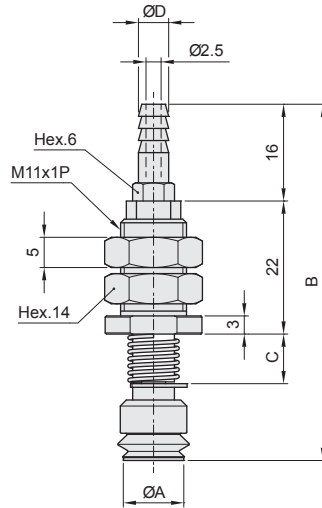
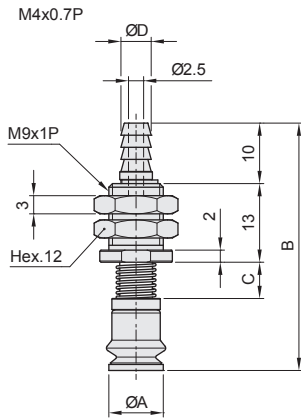
External dimensions - Suction mark prevention type PAQFS series /
Vertical entry with spring

CHELIC

PAQ **FS** - 06, 08 x **03**
PAQ **FS** - 06, 08 x **10**

PAQ **FS** - 10, 15 x **04**
PAQ **FS** - 10, 15 x **10**

PAQ **FS** - 20, 30, 40, 50 x **06**
PAQ **FS** - 20, 30, 40, 50 x **15**



Type	Tube outer dia.x Inner dia. Ø D	Pad dia. Ø A	Whole length B	C
PAQ FS - 06 x 03	6x4	6	40.9	6
PAQ FS - 06 x 10			54.9	20
PAQ FS - 08 x 03	6x4	9	40.9	6
PAQ FS - 08 x 10			54.9	20
PAQ FS - 10 x 04	6x4	10	58.9	8
PAQ FS - 10 x 10			70.9	20
PAQ FS - 15 x 04	6x4	13	60.4	8
PAQ FS - 15 x 10			72.4	20
PAQ FS - 20 x 06	6x4	18	73	12
PAQ FS - 20 x 15			90	30
PAQ FS - 30 x 06	6x4	28	78	12
PAQ FS - 30 x 15			95	30
PAQ FS - 40 x 06	6x4	40	75.5	12
PAQ FS - 40 x 15			92.5	30
PAQ FS - 50 x 06	6x4	50	77.5	12
PAQ FS - 50 x 15			94.5	30



Vacuum pad / Suction mark prevention type

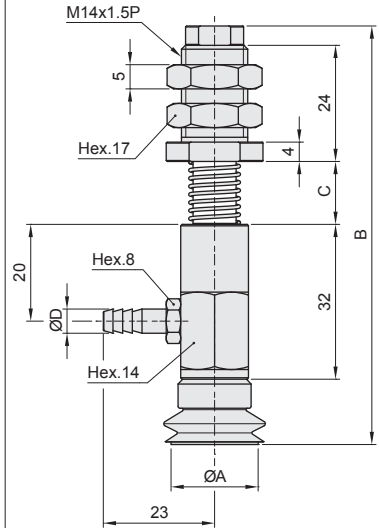
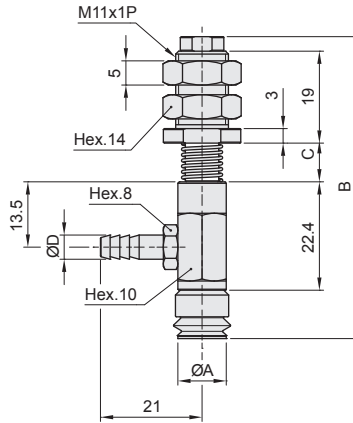
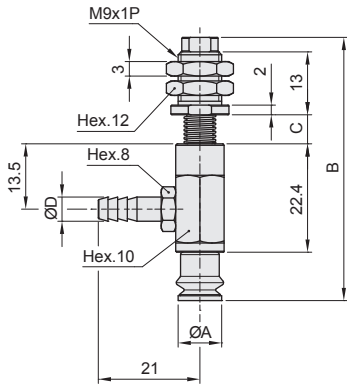
External dimensions - Suction mark prevention type PAQFS series /
Side entry with spring

CHELIC

PAQ TS - 06, 08 x 03
PAQ TS - 06, 08 x 10

PAQ TS - 10, 15 x 04
PAQ TS - 10, 15 x 10

PAQ TS - 20, 30, 40, 50 x 06
PAQ TS - 20, 30, 40, 50 x 15



Type	Tube outer dia.x Inner dia. Ø D	Pad dia. Ø A	Whole length B	C
PAQ TS - 06 x 03	6x4	6	54.4	6
PAQ TS - 06 x 10			68.4	20
PAQ TS - 08 x 03	6x4	9	54.4	6
PAQ TS - 08 x 10			68.4	20
PAQ TS - 10 x 04	6x4	10	62.4	8
PAQ TS - 10 x 10			74.4	20
PAQ TS - 15 x 04	6x4	13	63.9	8
PAQ TS - 15 x 10			75.9	20
PAQ TS - 20 x 06	6x4	18	86.5	12
PAQ TS - 20 x 15			103.5	30
PAQ TS - 30 x 06	6x4	28	91.5	12
PAQ TS - 30 x 15			108.5	30
PAQ TS - 40 x 06	6x4	40	91.5	12
PAQ TS - 40 x 15			108.5	30
PAQ TS - 50 x 06	6x4	50	93.5	12
PAQ TS - 50 x 15			110.5	30