



Vacuum pad / Anti-slip type

Specification and Order expression

CHELIC

How to order

PAO (Vacuum pad) × **F** (Bracket) - **10** (Vacuum pad outer dia.) × **Stroke** (Type, Mark, Diameter) - **N** (Vacuum pad material) - **R** (With free holder)

PAO series Vacuum pad
Vertical connection (F)
Vertical connection (With fitting) (K)
Horizontal connection (T)
Vertical spring type (FS)
Horizontal spring type (TS)

Mark	Diameter (mm)
10	Ø10
15	Ø15
20	Ø20
25	Ø25
35	Ø35
50	Ø50

Type	Mark	Diameter (mm)
10	4	4 mm
	10	10 mm
20	6	6 mm
	15	15 mm
30	6	6 mm
	15	15 mm
40	6	6 mm
	15	15 mm
50	6	6 mm
	15	15 mm

N : NBR (Standard type)

Rotary bracket	Outer dia. (mm)
PAR 05	Ø05~Ø15
PAR 20	Ø20~Ø50

Note: According to vacuum pad specification to apply proper free holder. Please refer to P.3-2.81 for dimensions.

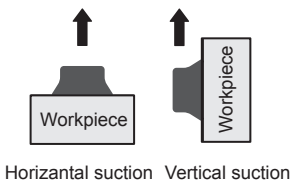
Note 1: Only available to PAGFS, PAGTS series.
 Note 2: Please refer to P.3-2.49 ~ P.3-2.50

Vacuum pad material

Mark	Material	Hardness (HS)	Ambient and fluid temperature	Color
N	NBR (Rubber)	A55/S	- 26 ~ 120°C	Red

Calculation formula

- Suction type



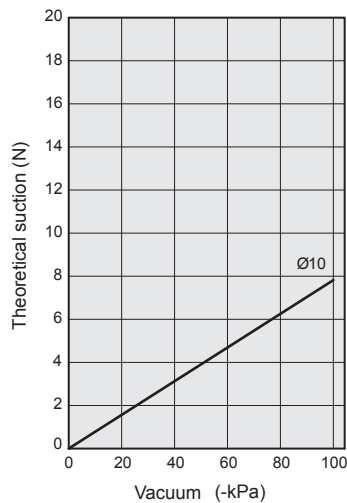
- Calculation formula

$$W = \frac{P \times A}{- 10}$$

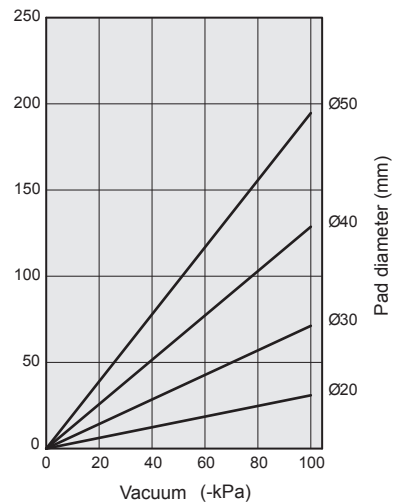
W : Force N
 P : Vacuum pressure kPa
 A : Pad area cm²

Theoretical suction

- Pad diameter: Ø10mm



- Pad diameter: Ø20~Ø50mm



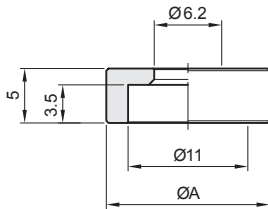


Vacuum pad / Anti-slip type

The vacuum pad specification and type -
Anti-slip type PAO series

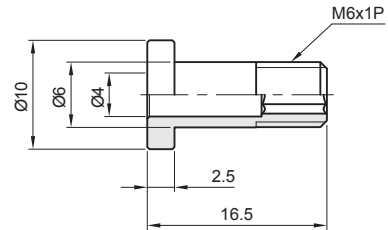
CHELIC

◉ The joint size



Type	ØA	Applicable pad size
PAO 40	15	Ø40
PAO 50	20	Ø50

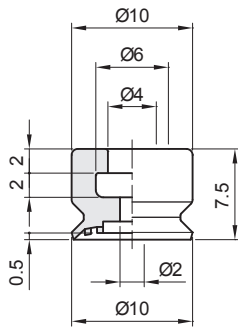
◉ The screw size to the joint



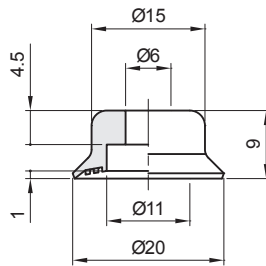
Type	Applicable pad size
PAO 40-M6	Ø40, Ø50

◉ Vacuum pad size

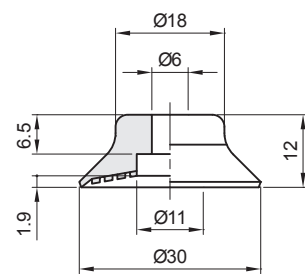
◉ PAO 10



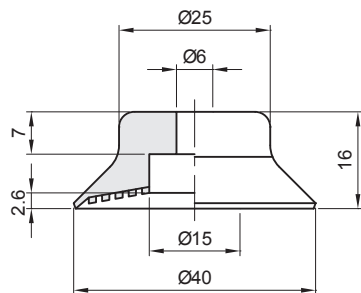
◉ PAO 20



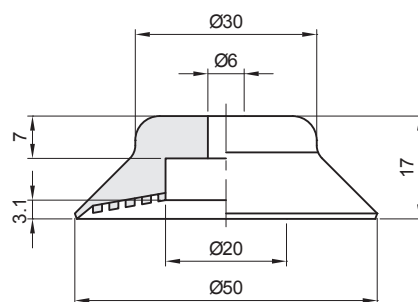
◉ PAO 30

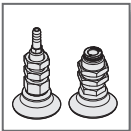


◉ PAO 40



◉ PAO 50



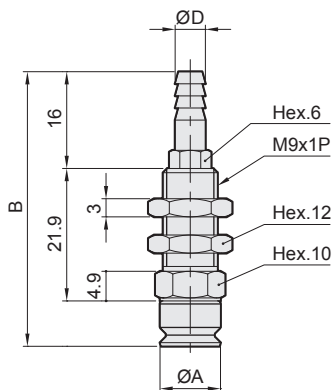


Vacuum pad / Anti-slip type

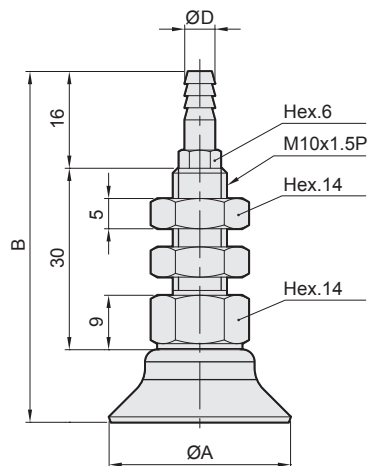
External dimensions - Anti-slip type PAOF series /
Vertical entry, PAOK series - with fitting

CHELIC

PAOF - 10

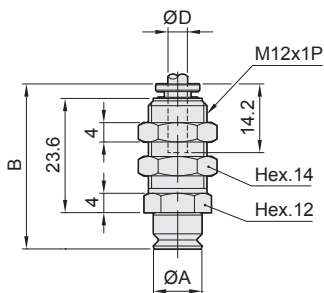


PAOF - 20, 30, 40, 50

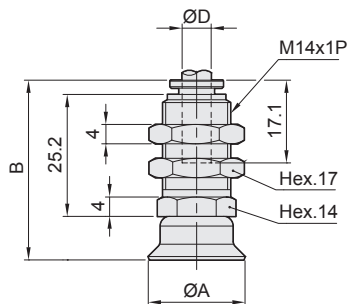


Type	Tube outer dia. x Inner dia. ØD	Pad dia. ØA	Whole length B
PAOF - 10	6x4	10	45.4
PAOF - 20	6x4	20	55
PAOF - 30	6x4	30	58
PAOF - 40	6x4	40	62
PAOF - 50	6x4	50	63

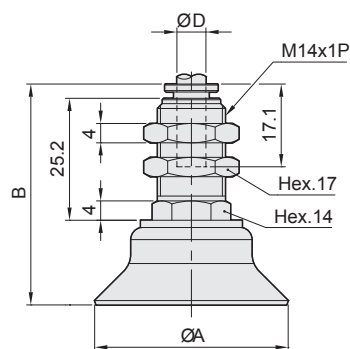
PAOK - 10



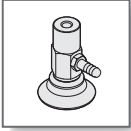
PAOK - 20, 30



PAOK - 40, 50



Type	Tube outer dia. ØD	Pad dia. ØA	Whole length B
PAOK - 10	4	10	34.1
PAOK - 20	6	20	37.2
PAOK - 30	6	30	40.2
PAOK - 40	6	40	45.7
PAOK - 50	6	50	46.7



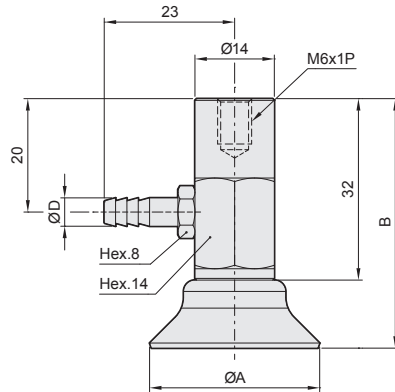
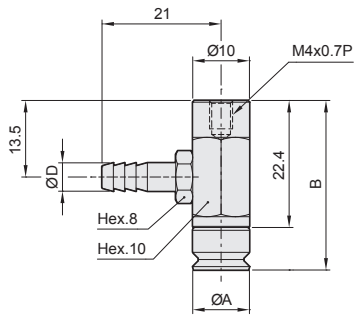
Vacuum pad / Anti-slip type

External dimensions - Anti-slip type PAOT series /
Vertical entry with spring

CHELIC

PAO **T** - 10

PAO **T** - 20, 30, 40, 50



Type	Tube outer dia. x Inner dia. ØD	Pad dia. ØA	Whole length B
PAO T - 10	4x2.5	10	29.9
PAO T - 20	6x4	20	41
PAO T - 30	6x4	30	44
PAO T - 40	6x4	40	48
PAO T - 50	6x4	50	49



Vacuum pad / Anti-slip type

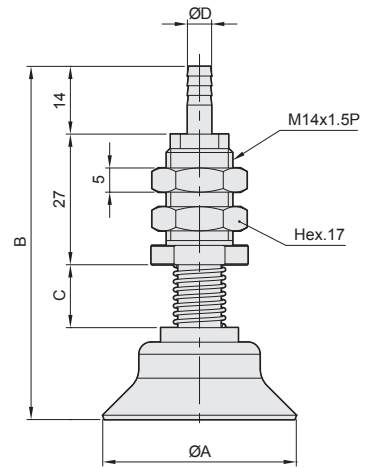
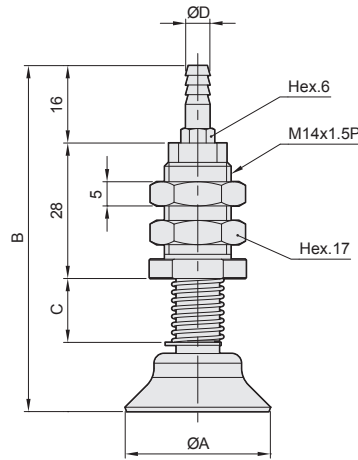
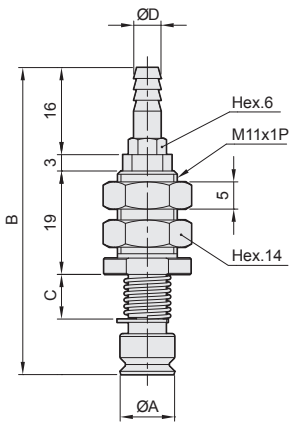
External dimensions - Anti-slip type PAOFS series /
Vertical entry with spring

CHELIC

○ PAO FS - 10 x 04
PAO FS - 10 x 10

○ PAO FS - 20, 30 x 06
PAO FS - 20, 30 x 15

○ PAO FS - 40, 50 x 06
PAO FS - 40, 50 x 15



Type	Tube outer dia. x Inner dia. ØD	Pad dia. ØA	Whole length B	C
PAO FS - 10 x 04	6x4	10	56.4	8
PAO FS - 10 x 10			68.4	20
PAO FS - 20 x 06	6x4	20	68.5	12
PAO FS - 20 x 15			85.5	30
PAO FS - 30 x 06	6x4	30	71.5	12
PAO FS - 30 x 15			88.5	30
PAO FS - 40 x 06	6x4	40	73	12
PAO FS - 40 x 15			90	30
PAO FS - 50 x 06	6x4	50	74	12
PAO FS - 50 x 15			91	30



Vacuum pad / Anti-slip type

External dimensions-Anti - slip PAOTS series /
Side entry with spring

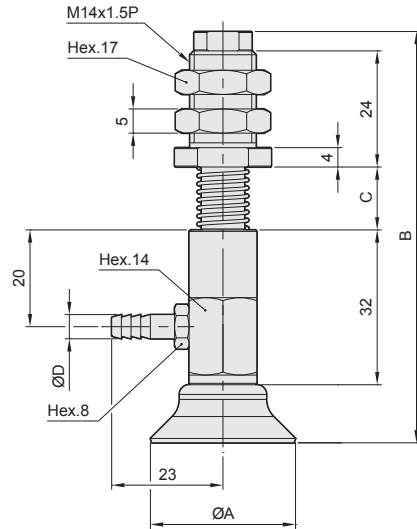
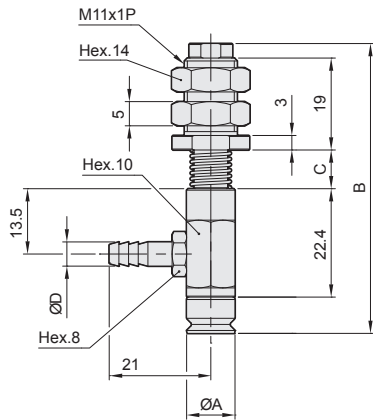
CHELIC

⊙ PAO TS - 10 x 04

PAO TS - 10 x 10

⊙ PAO TS - 20, 30, 40, 50 x 06

PAO TS - 20, 30, 40, 50 x 15



Type	Tube outer dia. x Inner dia. ØD	Pad dia. ØA	Whole length B	C
PAO TS - 10 x 04	6x4	10	59.9	8
PAO TS - 10 x 10			71.9	20
PAO TS - 20 x 06	6x4	20	82	12
PAO TS - 20 x 15			99	30
PAO TS - 30 x 06	6x4	30	85	12
PAO TS - 30 x 15			102	30
PAO TS - 40 x 06	6x4	40	89	12
PAO TS - 40 x 15			106	30
PAO TS - 50 x 06	6x4	50	90	12
PAO TS - 50 x 15			107	30