






Non-Rotating vacuum pad

How to order vacuum pad and Order expression

CHELIC

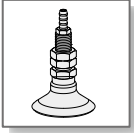
How to Order

| PA | | L | | 10 | | | | 6 | | | | N | | | | |
|-------------------------|-------------------|----------------------|---|------------|-----------------|-----|-----|---------------------------|------|--------------------|-----------------|------------------------|-----|-----|--|---|
| Non-Rotating vacuum pad | | Bracket | | Outer dia. | | | | Spring compression length | | | | Material of vacuum pad | | | | |
| PA | Standard type | Vertical spring type |  | Code | Outer dia. (mm) | PAL | PBL | PCL | Code | Compression length | Outer dia. (mm) | PAL | PBL | PCL | <p>N : NBR material (Black) (Standard type)</p> <p>S : Silica gel (Silicon) Silicon rubber</p> <p>U : PU (Urethane)</p> <p>SE : Anti-static rubber (Surface impedance $10^4 \sim 10^5 \Omega$)</p> <p>E : low-impedence anti-static rubber (Surface impedance 200Ω)</p> <p><small>Note : SE and E are made-to-order.</small></p> | |
| PB | Bellows type | | | Code | Outer dia. (mm) | PAL | PBL | PCL | Code | Compression length | Outer dia. (mm) | PAL | PBL | PCL | | |
| PC | Three layers type | | | Code | Outer dia. (mm) | PAL | PBL | PCL | Code | Compression length | Outer dia. (mm) | PAL | PBL | PCL | | |
| | | Vertical spring type |  | 05 | Ø5 | • | | | 6 | 6 mm | Ø5 | • | | • | | |
| | | Vertical spring type | | 06 | Ø6 | • | | | 8 | 8 mm | Ø6 | • | | | | • |
| | | Vertical spring type |  | 07 | Ø7 | • | | | 13 | 13 mm | Ø7 | | | • | | |
| | | Vertical spring type | | 08 | Ø8 | • | | | Ø8 | | • | | | | | |
| | | Vertical spring type | | 10 | Ø10 | • | • | • | Ø10 | | • | • | • | | | |
| | | Vertical spring type | 15 | Ø15 | • | • | • | Ø15 | • | | • | • | | | | |
| | | Vertical spring type | 20 | Ø20 | • | • | • | Ø20 | • | | • | • | | | | |
| | | Vertical spring type | 25 | Ø25 | • | | | Ø25 | • | | | | | | | |
| | | Vertical spring type | 30 | Ø30 | • | • | • | Ø30 | • | | • | • | | | | |
| | | Vertical spring type | 35 | Ø35 | • | | | Ø35 | • | | | | | | | |
| | | Vertical spring type | 40 | Ø40 | • | | | Ø40 | • | • | • | | | | | |
| | | Vertical spring type | 50 | Ø50 | • | | | Ø50 | • | • | • | | | | | |

Material of vacuum pad

| Code | Material | Hardness (HS) | Temperature range | Color | Surface impedance (note) |
|------|--------------------------------------|---------------|-------------------|-------|---|
| N | NBR | A60/S | -26~120°C | Black | - |
| U | PU (Uret-hane) | A60/S | -20~75°C | Black | - |
| S | Silica gel (Silicon), Silicon rubber | A60/S | -60~250°C | White | - |
| SE | Anti-static rubber | A50/S | -60~250°C | Black | $10^4 \sim 10^6 \Omega \cdot \text{cm}$ |
| E | Low-impedence anti-static rubber | A70/S | -60~250°C | Black | $200 \Omega \cdot \text{cm}$ |

Note : 1. Is the conductive property of rubber. And showing the impedance per cm^3 .
 2. Test value from Chelic's test plate.

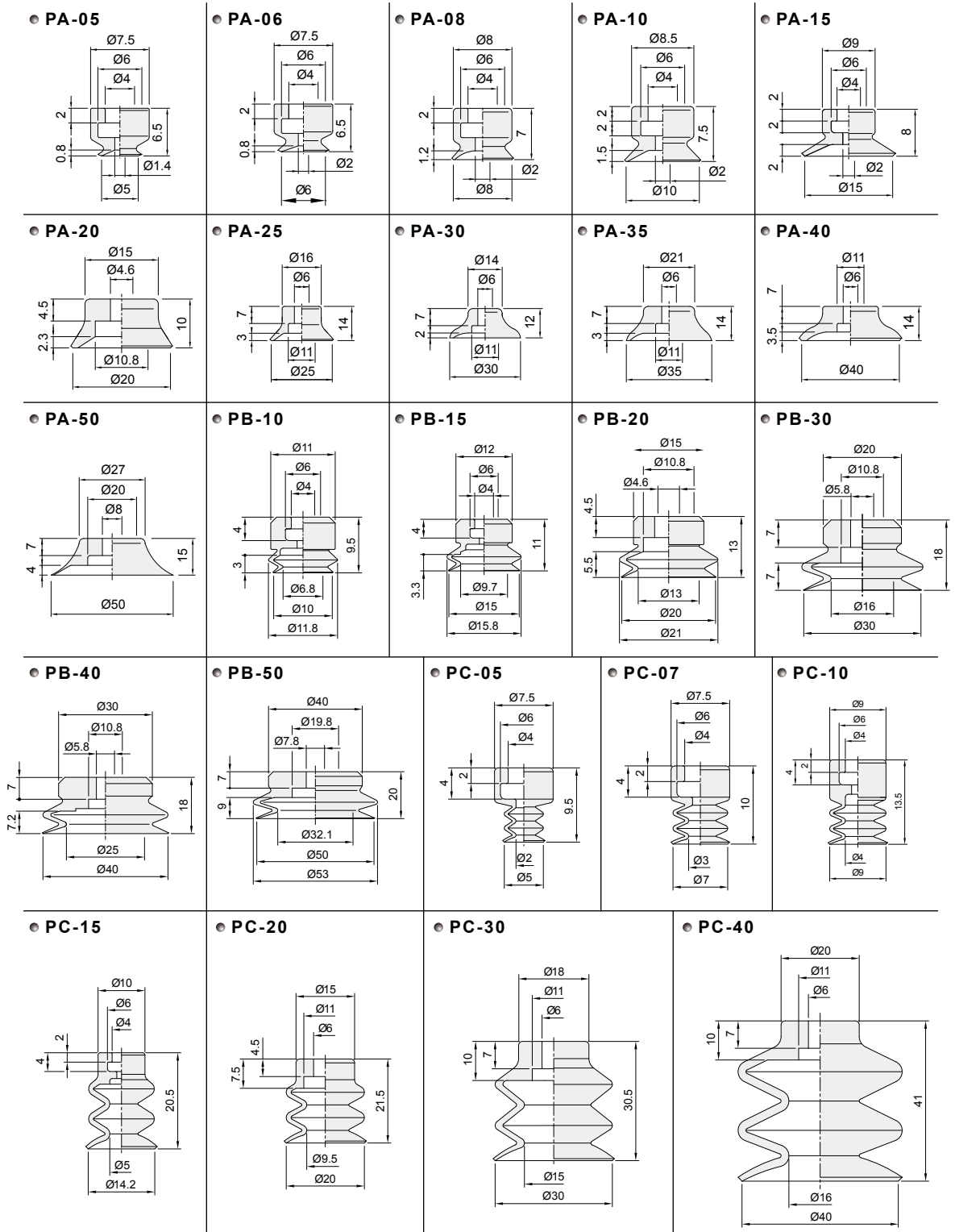


Vacuum pad

Pad model and Type - Standard type PA, PB, PC series

CHELIC

Vacuum pad dimensions



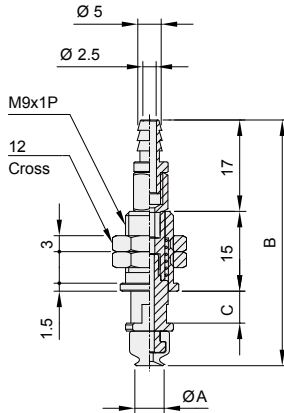


Vacuum pad

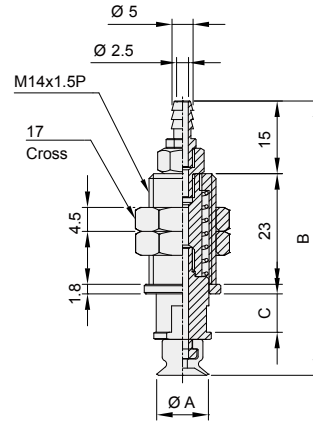
External dimensions - PAL series / Vertical connection

CHELIC

☉ Ø5 · Ø6 · Ø8



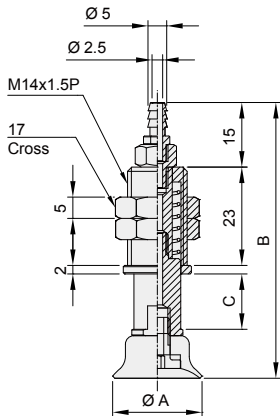
☉ Ø10 · Ø15



| Pad type | Item | Pad dia. A | Stroke 6 | | Size of PU tube |
|------------|--------|---------------|----------|---|--------------------|
| | | | B | C | |
| Circle Pad | PAL-05 | Ø5 | 46 | 6 | PU tube Ø6 |
| | PAL-06 | Ø6 | 46 | 6 | |
| | PAL-08 | Ø8 | 47 | 6 | |

| Pad type | Item | Pad dia. A | Stroke 6 | | Size of PU tube |
|------------|--------|---------------|----------|---|--------------------|
| | | | B | C | |
| Circle Pad | PAL-10 | Ø10 | 57 | 8 | PU tube Ø6 |
| | PAL-15 | Ø15 | 58 | 8 | |

☉ Ø20 ~ Ø50



| Pad type | Item | Pad dia. A | Stroke 13 | | Size of PU tube |
|------------|--------|---------------|-----------|----|--------------------|
| | | | B | C | |
| Circle Pad | PAL-20 | Ø20 | 65 | 13 | PU tube Ø6 |
| | PAL-25 | Ø25 | 69 | 13 | |
| | PAL-30 | Ø30 | 68 | 13 | |
| | PAL-35 | Ø35 | 69 | 13 | |
| | PAL-40 | Ø40 | 69 | 13 | |
| | PAL-50 | Ø50 | 71 | 13 | |



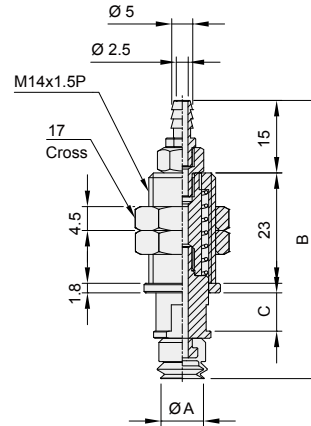
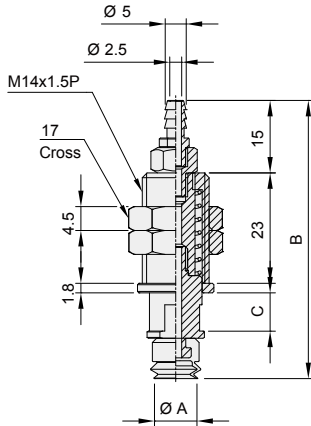
Vacuum pad

External dimensions - PBL series / Vertical spring type

CHELIC

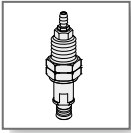
☉ Ø10 · Ø15

☉ Ø20 · Ø30 · Ø40 · Ø50



| Pad type | Item | Pad dia. A | Stroke 6 | | Size of PU tube |
|------------|--------|---------------|----------|---|--------------------|
| | | | B | C | |
| Circle Pad | PBL-10 | Ø10 | 59 | 8 | PU tube Ø6 |
| | PBL-15 | Ø15 | 61 | 8 | |

| Pad type | Item | Pad dia. A | Stroke 13 | | Size of PU tube |
|------------|--------|---------------|-----------|----|--------------------|
| | | | B | C | |
| Circle Pad | PAL-20 | Ø20 | 65 | 13 | PU tube Ø6 |
| | PAL-30 | Ø30 | 68 | 13 | |
| | PAL-40 | Ø40 | 69 | 13 | |
| | PAL-50 | Ø50 | 71 | 13 | |

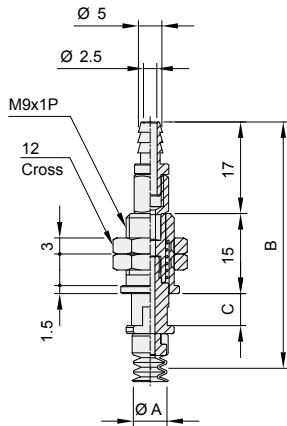


Vacuum pad

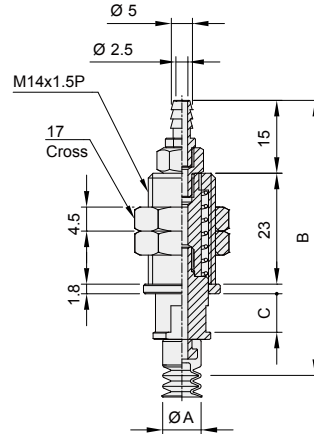
External dimensions - PCL series / Vertical connection

CHELIC

☉ Ø5 · Ø7



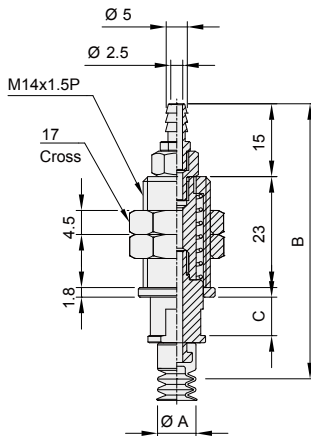
☉ Ø10 · Ø15



| Pad type | Item | Pad dia. A | Stroke 6 | | Size of PU tube |
|------------|--------|---------------|----------|---|--------------------|
| | | | B | C | |
| Circle Pad | PCL-05 | Ø5 | 49 | 6 | PU tube Ø6 |
| | PCL-07 | Ø7 | 49 | 6 | |

| Pad type | Item | Pad dia. A | Stroke 8 | | Size of PU tube |
|------------|--------|---------------|----------|---|--------------------|
| | | | B | C | |
| Circle Pad | PCL-10 | Ø10 | 63 | 8 | PU tube Ø6 |
| | PCL-15 | Ø15 | 71 | 8 | |

☉ Ø20 · Ø30 · Ø40



| Pad type | Item | Pad dia. A | Stroke 13 | | Size of PU tube |
|------------|--------|---------------|-----------|----|--------------------|
| | | | B | C | |
| Circle Pad | PAL-20 | Ø20 | 65 | 13 | PU tube Ø6 |
| | PAL-30 | Ø30 | 68 | 13 | |
| | PAL-40 | Ø40 | 69 | 13 | |