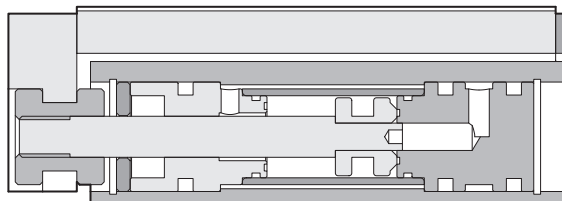
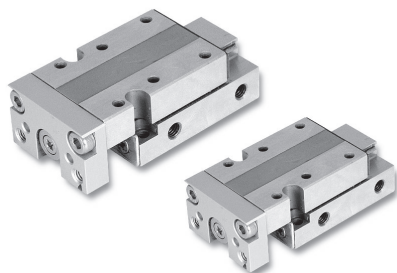


MTX series - Slide table cylinder

Operating specification and Ordering expression

Internal structure



Specification

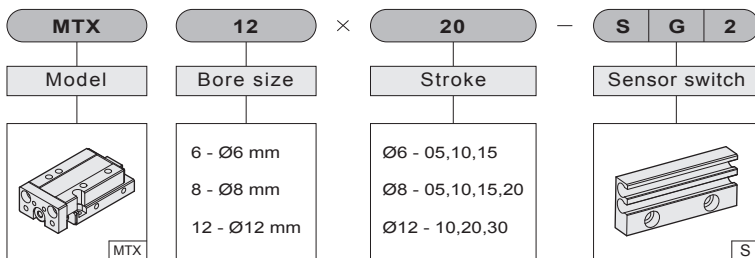
Item	Bore size	06	08	12
Operation		Double acting		
Fluid		Air		
Pressure range	kgf/cm ² (kPa)	2 ~ 6 (200 ~ 600)		
Max. service pressure	kgf/cm ² (kPa)	6.5 (650)		
Temperature	°C	0 ~ 60		
Range of service speed	mm/sec	100 ~ 500		
Lubrication		Lubrication free		
Port size		M3		M5
Sensing device		Rubber cushion		

Standard stroke (MTX series)

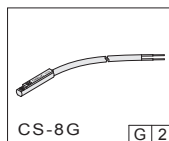
Unit : mm

Bore size	Stroke
Ø6	05、10、15
Ø8	05、10、15、20
Ø12	10、20、30

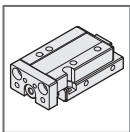
How to order



MTX :
Slide table cylinder



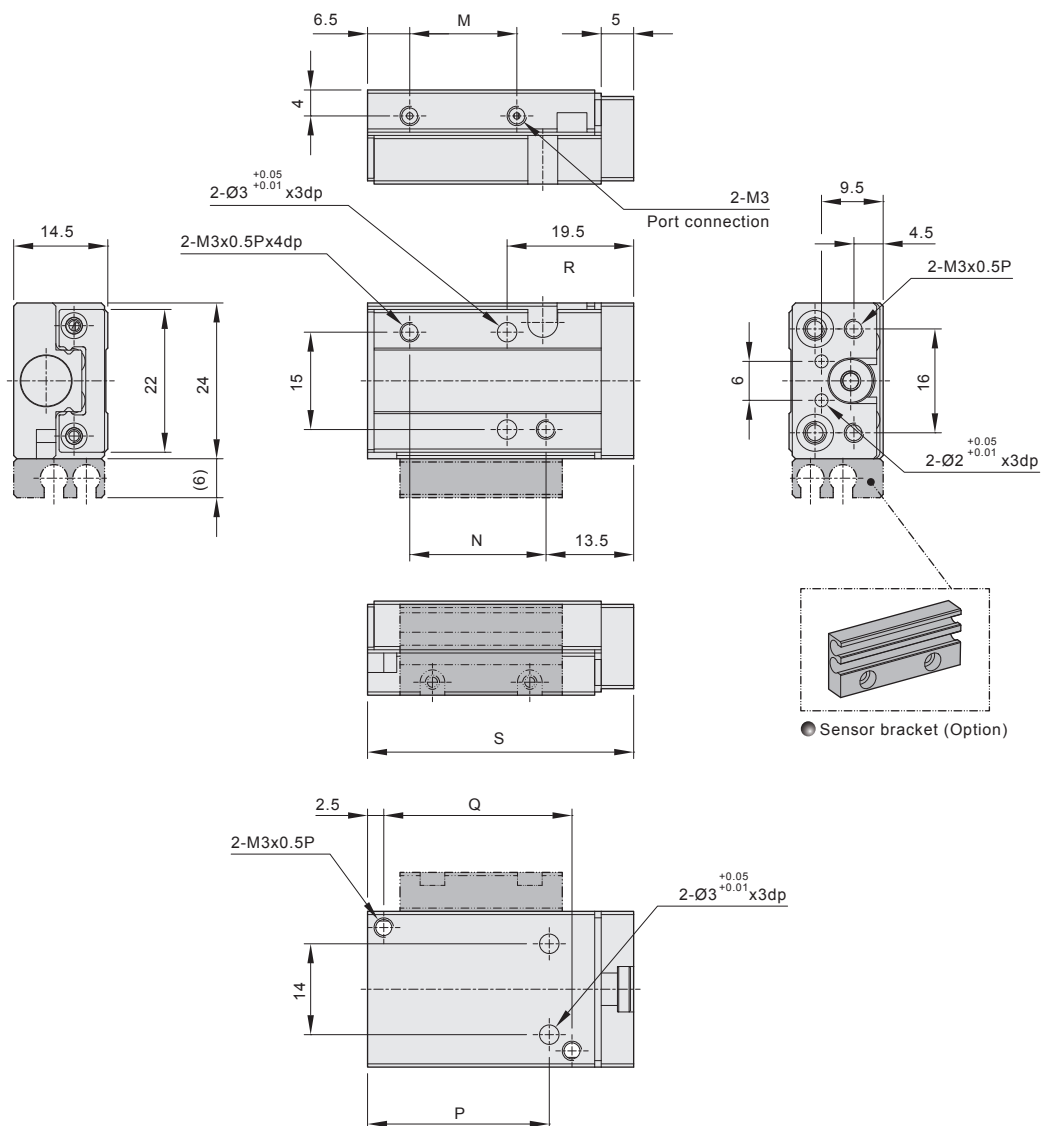
- None :
No magnet and sensor switch holder
- S : With magnet and sensor switch holder
- G : Sensor switch code (CS-8G)
- 2 : Number of Sensor switch
1 = 1 PCS 2 = 2 PCS (Option)



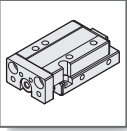
MTX series - Slide table cylinder

External dimensions

Ø MTX 06 x ST



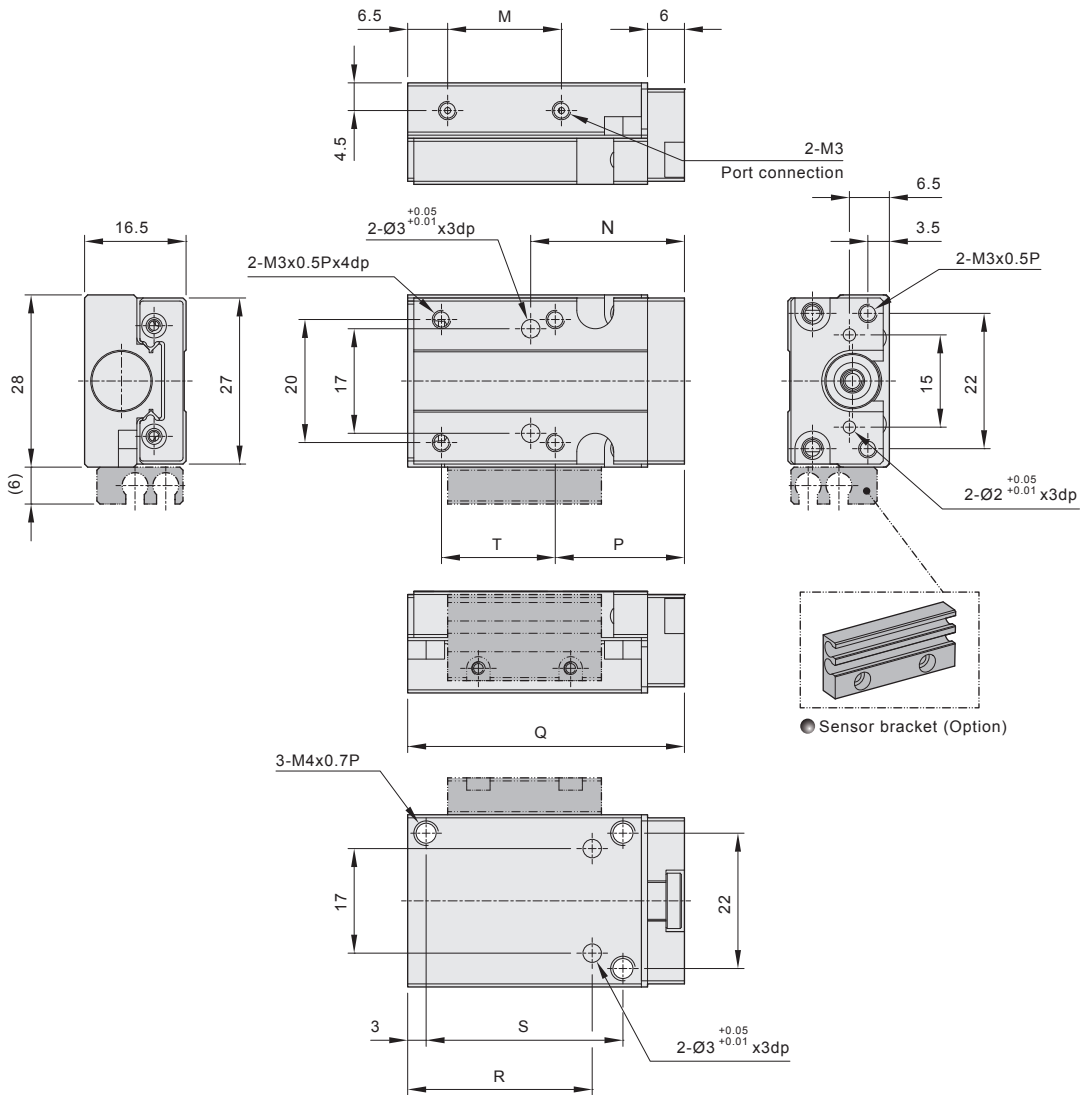
Model	M	N	S	P	Q	R
MTX 06x05	16.5	21	41	28	29	19.5
MTX 06x10	21.5	26	46	33	34	24.5
MTX 06x15	30.5	35	55	42	43	29.5



MTX series - Slide table cylinder

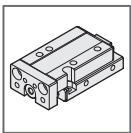
External dimensions

● MTX 08 x ST



● Sensor bracket (Option)

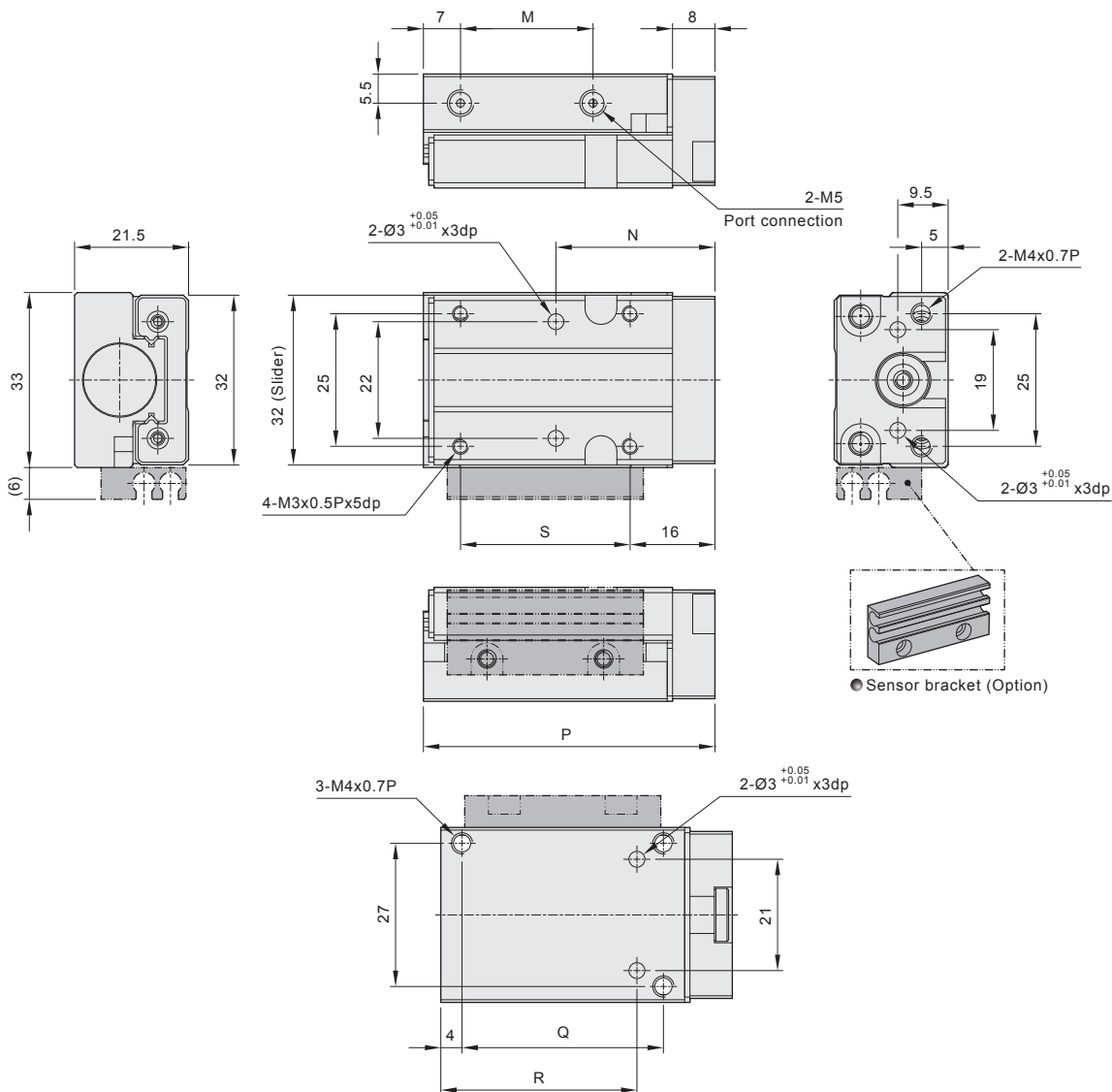
Model	M	N	T	P	Q	R	S
MTX 08x05	18.5	25.0	18.5	21.0	45	30	32
MTX 08x10	22.5	25.5	28.0	13.5	49	33	35
MTX 08x15	28.5	32.5	35.0	13.5	55	40	42
MTX 08x20	35.5	39.5	42.0	13.5	62	47	49



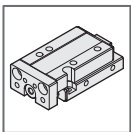
MTX series - Slide table cylinder

External dimensions

● MTX 12 x ST



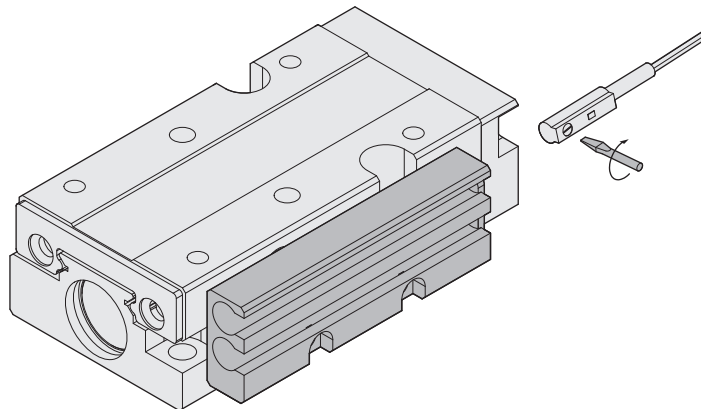
Model	M	N	S	P	Q	R
MTX 12x10	25	30	32	55	38	37
MTX 12x20	42	40	50	72	55	54
MTX 12x30	57	50	60	87	70	69



MTX series - Slide table cylinder

Sensor switch installation and Setting

▶ Sensor switch mounting type



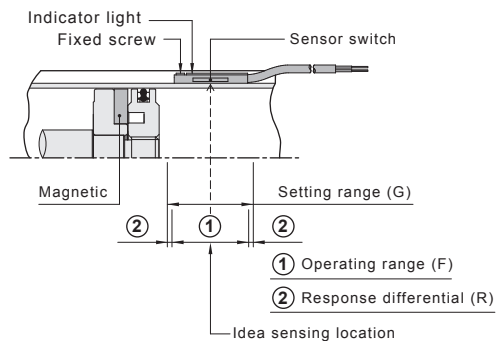
▶ Setting range

Sensor switch is fixed on the cylinder body. The magnetic piston head will activate the Sensor switch when it enters the operating range. It has 0.5mm differential.

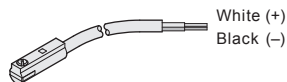
▶ Operating range

When piston head moves the switch setting and adjustment will be based on the responding range generated by the magnetic field and the switch. (Please refer to the below table)

▶ Sensor switch setting and Operating range



▶ Connector type



Voltage : DC 10 ~ 28V
AC 10 ~ 28V

CS-8G

Unit : mm

Model	CS-8G	
Bore size	Operating range (F)	Response differential(R)
06	2.5	1.0
08	4.0	1.0
12	4.5	1.0