

MSR(L) series

Slide table cylinder

CHELIC PNEUMATIC

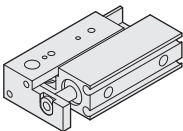


MSR(L) series

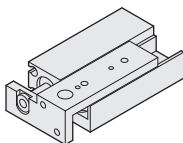
Provide CAD external dimension.

Future :

1. It adopts a precise slide rail guide, low abrasion, fast and accurate driving.
2. It is available for right and left sliding types.



MSR series ----- Slide table cylinder ----- $\varnothing 10 \sim \varnothing 16$ ----- P.3-7.1



MSL series ----- Slide table cylinder ----- $\varnothing 10 \sim \varnothing 16$ ----- P.3-7.1

MSR(L)
Slide Table
Cylinder

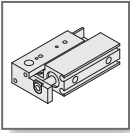
FMR(L)
Slide Table
Cylinder

MDX
Slide Table
Cylinder

MDXL
Slide Table
Cylinder

MQX
Compact
Slide
Cylinder



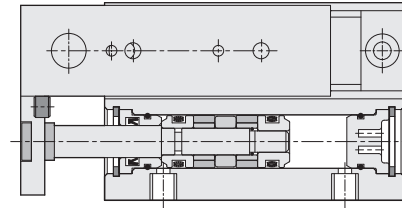


MSR(L) series - Slide table cylinder

Operating specification and Ordering expression

CHELIC PNEUMATIC

Internal structure



Theoretical force

Unit : kgf

Bore size mm	Piston rod dia mm	Action	Pressure area cm ²	Air pressure (kgf/cm ²)						
				1	2	3	4	5	6	7
10	6	Push	0.79	—	1.6	2.4	3.2	4.0	4.7	5.5
		Pull	0.32	—	0.6	1	1.3	1.6	1.9	2.2
16	8	Push	2.01	—	4	6	8	10.1	12.1	14.1
		Pull	1.51	—	3	4.5	6	7.6	9.1	10.6

Note : The above data are for reference only. When come to actual practice, frictional and the mechanical efficiency have to be taken into consideration. (About 70%~80%)

Specification

Unit : mm

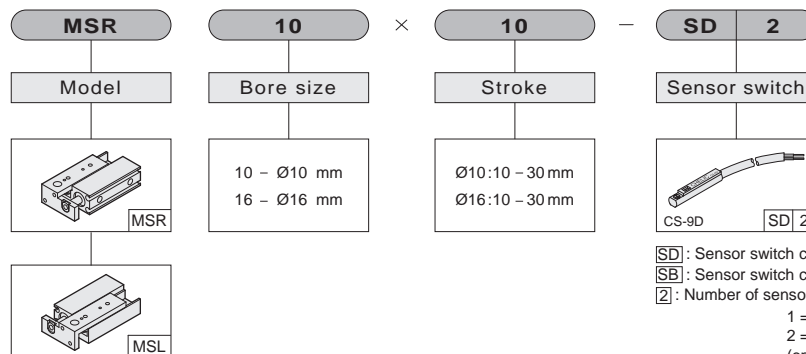
Item	Bore size	10	16
Operation		Double acting	
Fluid		Air	
Pressure range	kgf / cm ² (kpa)	1.5 ~ 9 (150 ~ 900)	1 ~ 9 (100 ~ 900)
Max. service pressure	kgf / cm ² (kpa)	9.5 (950)	
Operating ambient temperature range	°C	0 ~ 60	
Range of service speed	mm/sec	50 ~ 200	
Lubrication		Free	
Port size		M5x0.8	
Sensing device		With magnet	

Bore size and Stroke (MSR series)

Unit : mm

Bore size	Standard stroke
Ø10	10 - 20 - 30
Ø16	10 - 20 - 30

How to order



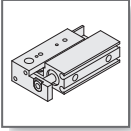
MSR(L)
Slide Table
Cylinder

FMR(L)
Slide Table
Cylinder

MDX
Slide Table
Cylinder

MDXL
Slide Table
Cylinder

MQX
Compact
Slide
Cylinder

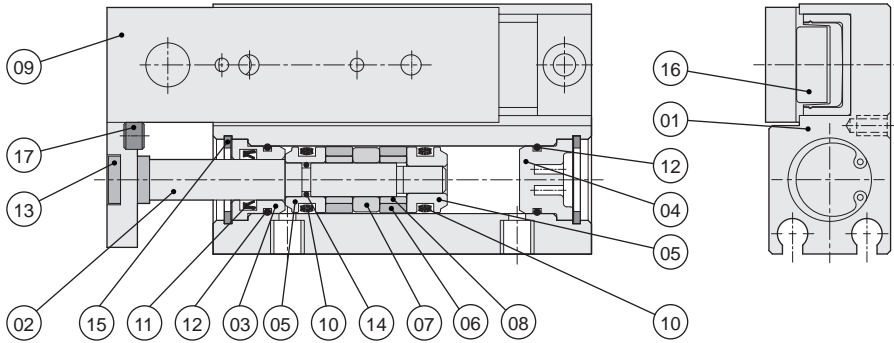


MSR(L) series - Slide table cylinder

Components and Material list

CHELIC PNEUMATIC

Internal structure



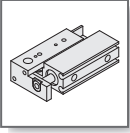
Components and Material list

No.	Item	Material	No.	Item	Material
01	Body	Aluminum alloy	10	Piston packing	NBR
02	Rod	Medium carbon steel	11	Rod packing	NBR
03	Front cover	Aluminum alloy	12	Rod cover O-ring	NBR
04	End cover	Aluminum alloy	13	Mounting screw	Alloy steel
05	Piston	Copper	14	Piston O-ring	NBR
06	Wear ring	Teflon	15	Snap	Spring steel
07	Magnet	Rubber	16	Precise slide rail	Bearing steel
08	Brass ring	Copper	17	Cushion	Rubber
09	Plate	Aluminum alloy			

Packing and O-Ring list

Unit : mm

Item	Piston packing	Piston O-ring	Rod packing	Front cover O-ring
No.	1	1	1	2
Bore size				
Ø10	DYP-10 (2 pcs)	Ø2.9 x Ø1.0	DYR - 6	Ø8 x Ø1.0
Ø16	PSD-16	Ø4 x Ø1.0	DYR - 8K	Ø13.2 x Ø1.5

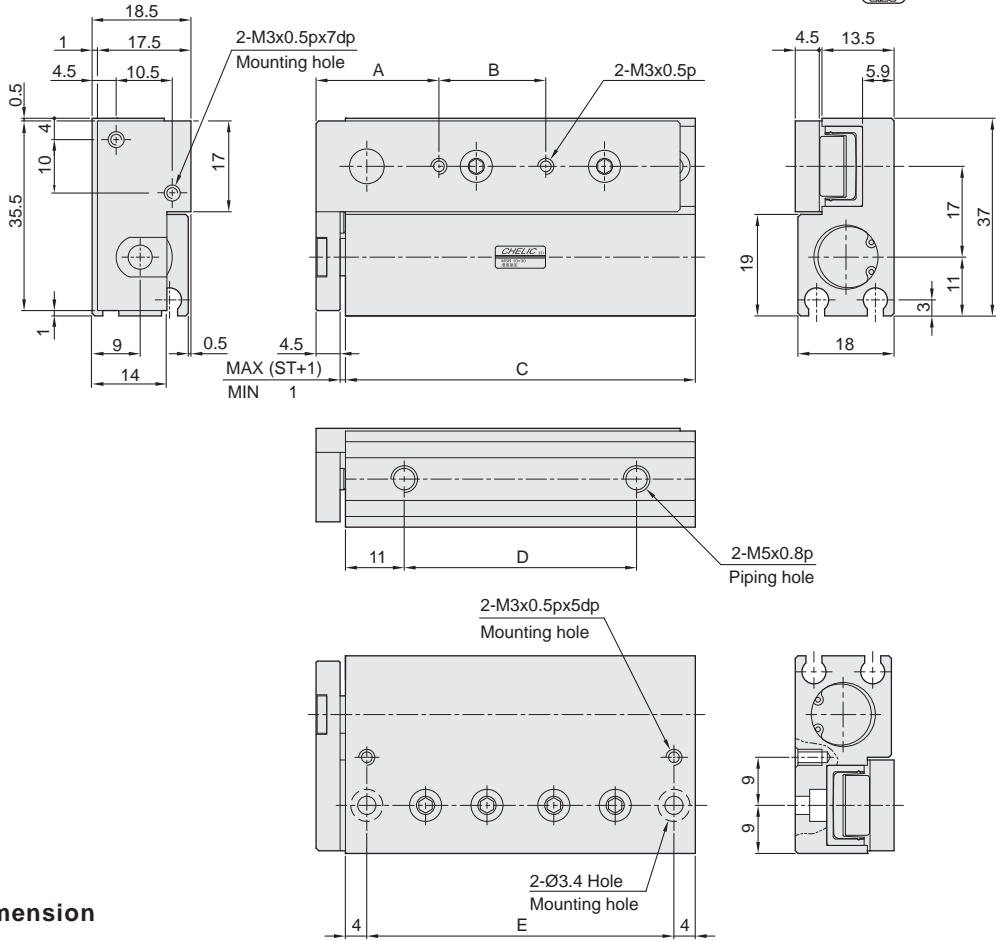


MSR(L) series - Slide table cylinder

External dimension

CHELIC PNEUMATIC

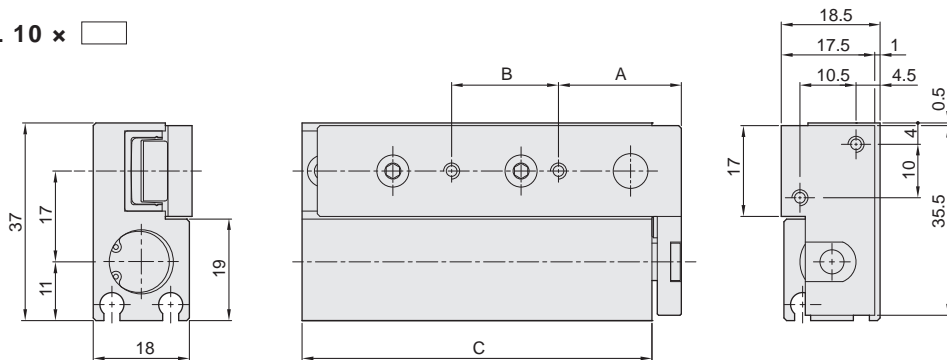
MSR 10 x



Dimension

Code Stroke	A	B	C	D	E
10	15	20	55.5	34	47.5
20	23	20	65.5	43.5	57.5
30	28	30	75.5	53.5	67.5

MSL 10 x



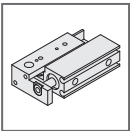
MSR(L)
Slide Table
Cylinder

FMR(L)
Slide Table
Cylinder

MDX
Slide Table
Cylinder

MDXL
Slide Table
Cylinder

MQX
Compact
Slide
Cylinder

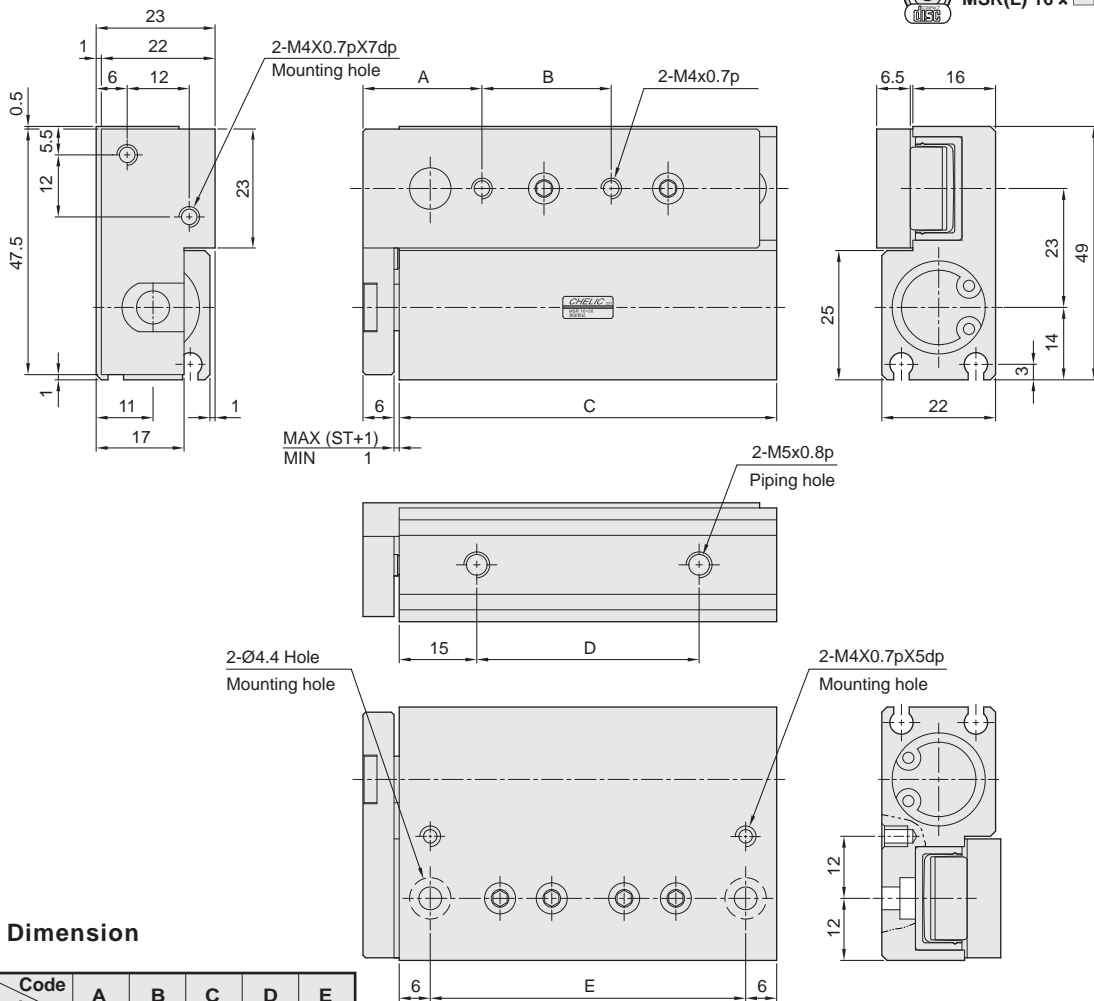


MSR(L) series - Slide table cylinder

External dimension

CHELIC PNEUMATIC

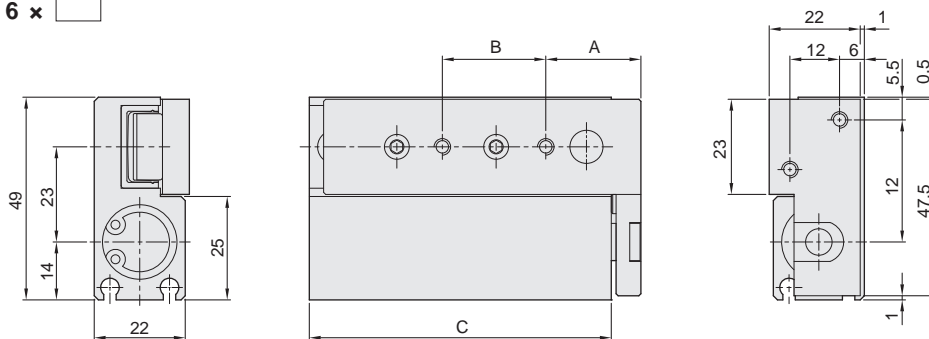
MSR 16 x

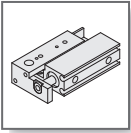


Dimension

Code Stroke	A	B	C	D	E
10	20	20	63	33	51
20	23	25	73	43	61
30	23	47	83	53	71

MSL 16 x



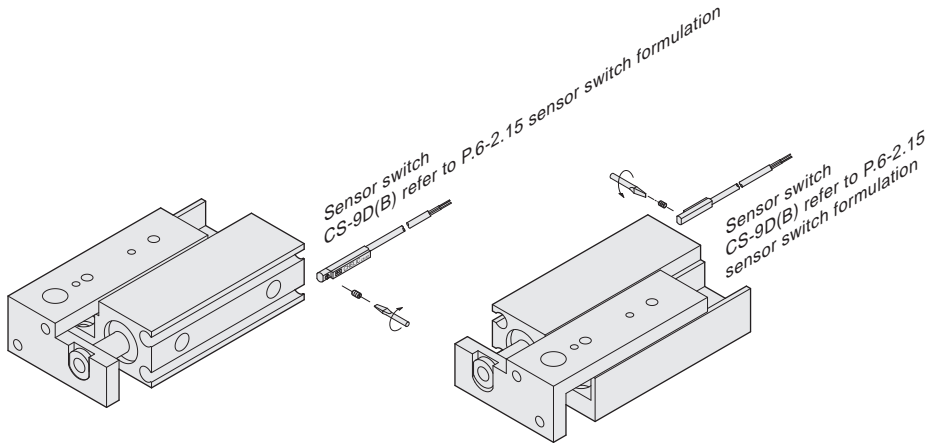


MSR(L) series - Slide table cylinder

Sensor switch installation and Setting

CHELIC PNEUMATIC

◉ sensor switch mounting type



◉ Operating range

Sensor switch is fixed on the cylinder body. The magnetic piston head will activate the Sensor switch when it enters the operating range. It has 0.5mm differential.

◉ Setting range

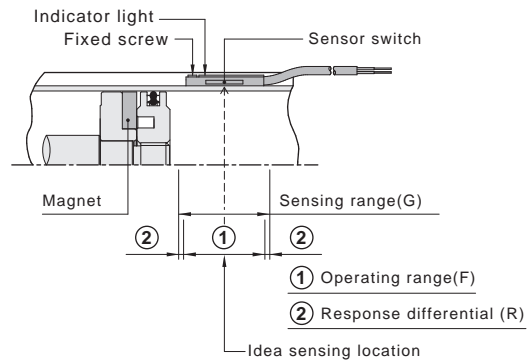
When piston head moves the switch setting and adjustment will be based on the responding range generated by the magnetic field and the switch. (Please refer to the below table)

Unit : mm

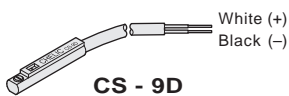
Model	CS-9D(B)	
Bore size	Operating range (F)	Response differential(R)
10	7 (3)	1
16	10 (7)	1

◉ Sensor switch setting and Operating range

● CS - 9D (B)

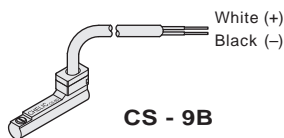


◉ Connector type



CS - 9D

Voltage : DC 5 ~ 120 V
AC 5 ~ 120 V



CS - 9B

Voltage : DC 5 ~ 120 V
AC 5 ~ 120 V

MSR(L)
Slide Table
Cylinder

FMR(L)
Slide Table
Cylinder

MDX
Slide Table
Cylinder

MDXL
Slide Table
Cylinder

MQX
Compact
Slide
Cylinder

