

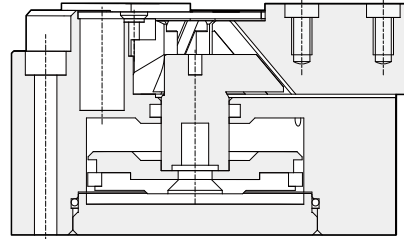
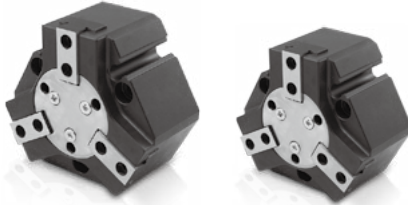


HMQ series - 3 Finger gripper

Operation specification and Order expression

CHELIC

Internal structure

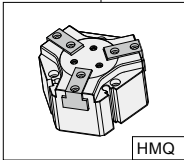
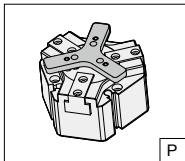
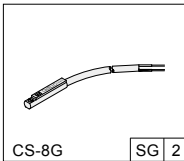
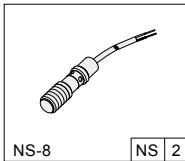


Specification

Item		HMQ 25	HMQ 32	HMQ 44	HMQ 55	HMQ 70	HMQ 92	HMQ 125	HMQ 160	
Operation		Double acting								
Opening and closing stroke	mm	2.5	4	5.5	8	10	13	15	20	
Gripping force	Close	N	129	239	377	731	1195	1814	3649	6011
	Open	N	157	265	431	810	1306	2266	3927	6434
Recommend workpiece weight	kg	0.8	1.3	2.2	4.1	6.6	11.5	20	32.8	
Open/Close time	s	0.025	0.03	0.05	0.1	0.2	0.25	0.3	0.35	
Repeatability	mm	0.01					0.02		0.05	
Fluid		Air								
Pressure range	kgf/cm ² (kPa)	2 ~ 8 (200 ~ 800)								
Ambient and fluid temperature	℃	5 ~ 80								
Lubrication		Lubrication free								
Port size		M3	M5			PT 1/8		PT 1/4		
Weight	kg	0.22	0.5	0.85	1.6	2.7	2.8	4.9	9.7	

Note : The gripping force is the force of open and close gripper, the acting pressure is 0.5 MPa.

How to order

HMQ	—	25	—	P	—	SG 2	—	NS 2
Model		Bore size		Attached module		Sensor switch		Proximity sensor
		25 32 44 55 70 92 125 160		None : Without other module 		None : No sensor switch 		None : No proximity sensor 

P : Ejector module

SG : Sensor switch code(CS-8G)

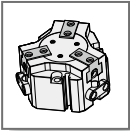
NS : Proximity sensor code(NS-8)

SB : Sensor switch code(CS-8B)

2 : 1 = 1 PCS, 2 = 2 PCS

2 : 1 = 1 PCS, 2 = 2 PCS

Applicable to HMQ 44 ~ 160



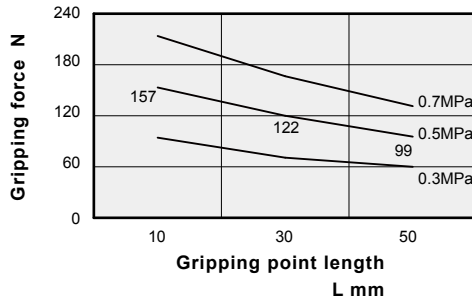
HMQ series - 3 Finger gripper

Gripping force characteristic

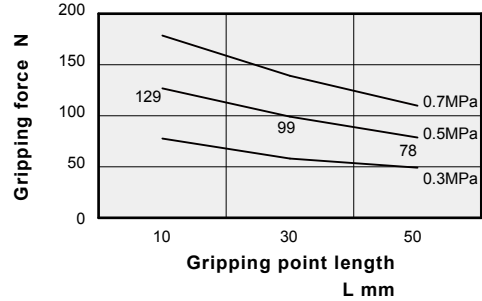
CHELIC

Gripping force characteristic

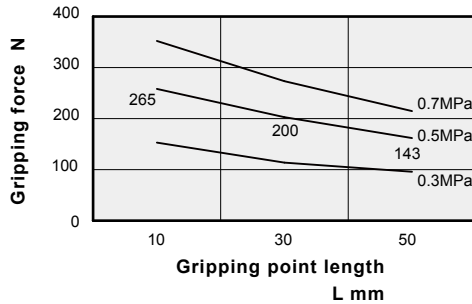
HMQ 25 - OPEN



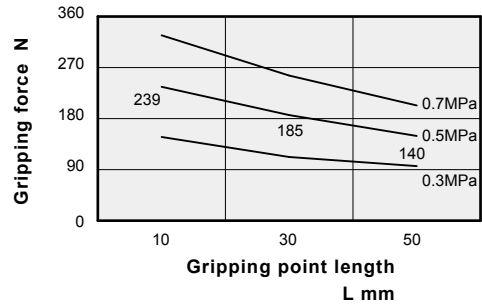
HMQ 25 - CLOSE



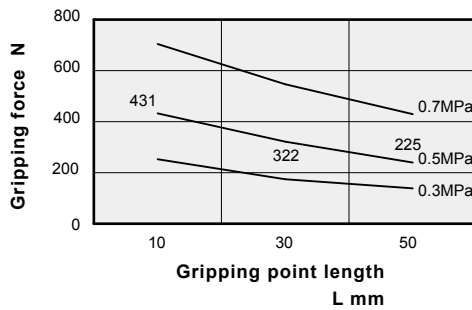
HMQ 32 - OPEN



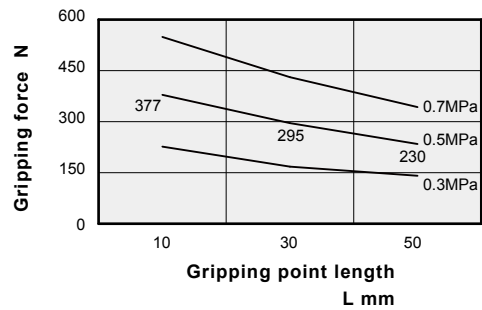
HMQ 32 - CLOSE



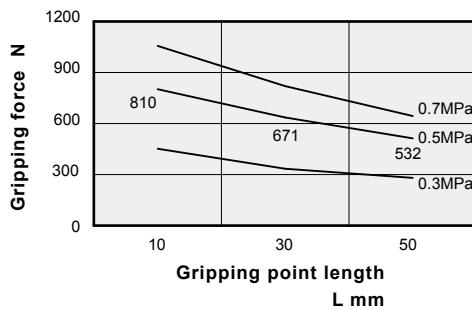
HMQ 44 - OPEN



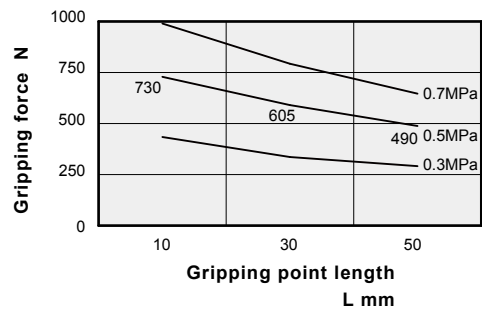
HMQ 44 - CLOSE

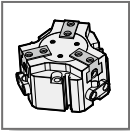


HMQ 55 - OPEN



HMQ 55 - CLOSE





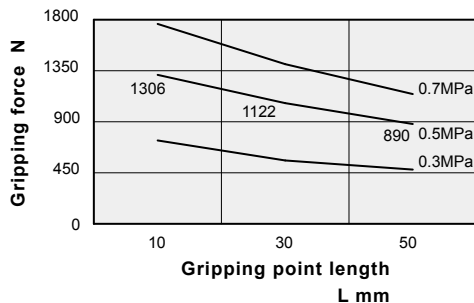
HMQ series - 3 Finger gripper

Gripping force characteristic

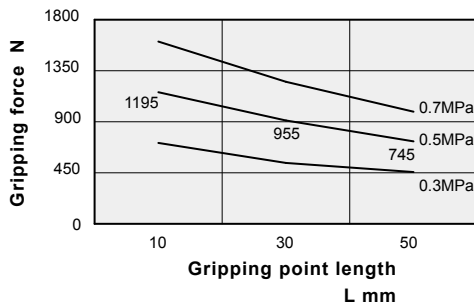
CHELIC

Gripping force characteristic

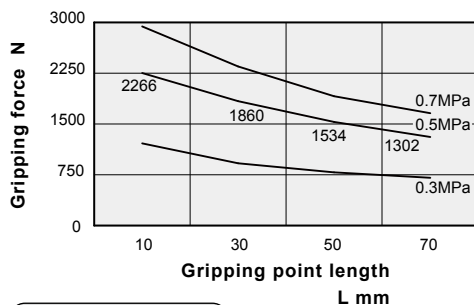
HMQ 70 - OPEN



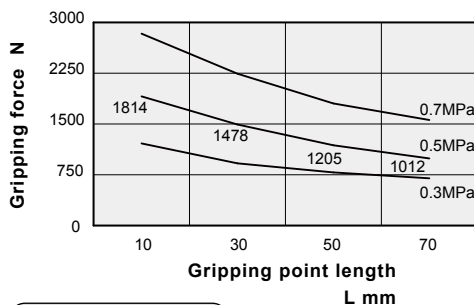
HMQ 70 - CLOSE



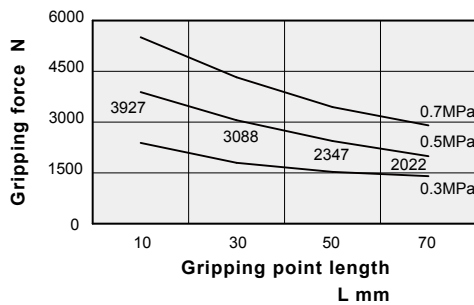
HMQ 92 - OPEN



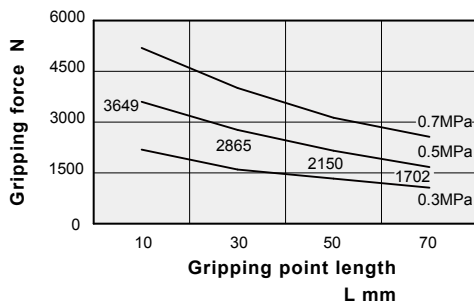
HMQ 92 - CLOSE



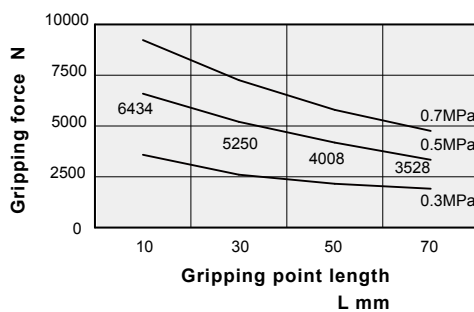
HMQ 125 - OPEN



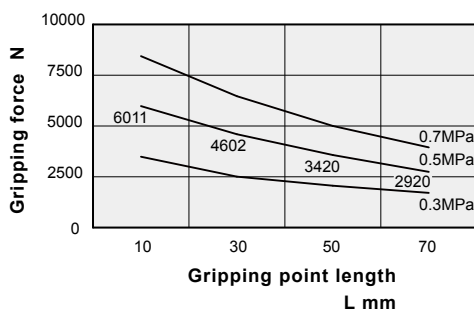
HMQ 125 - CLOSE

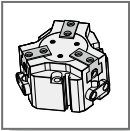


HMQ 160 - OPEN



HMQ 160 - CLOSE



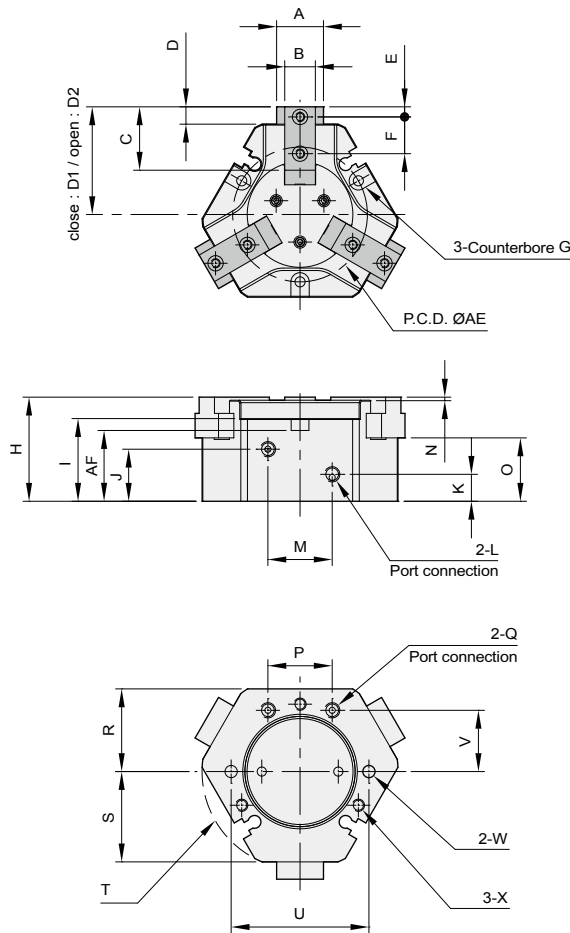


HMQ series - 3 Finger gripper

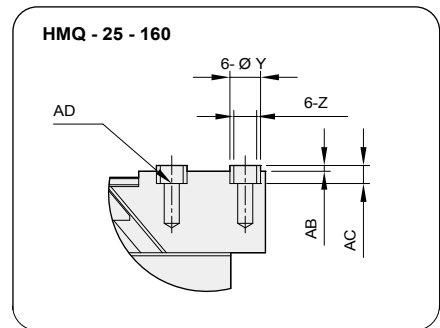
External dimensions

CHELIC

HMQ 25 ~ 160



Close up image of centering sleeve



Code Model	A	B	C	D1	D2	E	F	G	H	I	J	K	L	M	N	O	P	Q	R	S
HMQ 25	12.2	6.8	14.7	24.3	26.8	3.3	8	Ø6x3.5dp	27.2	22	14	6.3	M3	18	0.7	17.7	18	M3	21.5	24
HMQ 32	15.6	10	20.7	30.8	34.8	3.3	12	Ø6x3.5dp	34	27	17	8.8	M5	21	1	20.7	21	M5	27	29.5
HMQ 44	18.8	12	21.7	35	40.5	4	13	Ø9x5.5dp	43.3	34.3	21.5	8.5	M5	22	1	26.5	21	M5	32.5	34.5
HMQ 55	22.8	14.4	26.7	43	51	5	16	Ø11x6.5dp	49.3	37.5	24.8	9	M5	26	1	29.3	26	M5	40.5	43
HMQ 70	27	17.8	32	53.5	63.5	6	20	Ø11x6.5dp	59.3	47.5	29.5	10	PT1/8	30	1	35.3	30	M5	50.5	53
HMQ 92	34.8	19.4	40	66.5	79.5	7.4	24	Ø14x8.5dp	67	55.2	32.5	10	PT1/8	30	1	38.3	30	M5	63	66
HMQ 125	42	26	50	84.9	99.9	9	32	Ø13.5x10dp	80	59	39	12	PT1/4	40	1	48	40	PT1/8	81	84.9
HMQ 160	45	28	67.5	105.9	125.9	12	22	Ø16.5x12dp	101	80	54	15	PT1/4	50	1	62	50	PT1/8	100	105.8

Code Model	T	U	V	W	X	Y	Z	AB	AC	AD	AE	AF
HMQ 25	R25.5	36	15	Ø2x6dp	M4	Ø4	Ø2.8	2	4	M2.5	34.5	-
HMQ 32	R32	45	20	Ø3x6dp	M4	Ø5	Ø3.3	2	4	M3	44	23.5
HMQ 44	R37.5	56	28	Ø4x8dp	M6	Ø6	Ø4.3	3	5	M4	56	28.8
HMQ 55	R46	70	33	Ø5x16dp	M8	Ø8	Ø5.3	3	5	M5	70	31
HMQ 70	R57	90	40	Ø5x16dp	M8	Ø10	Ø6.3	4	6	M6	92	41
HMQ 92	R70	112	53	Ø6x20dp	M10	Ø10	Ø6.3	4	6	M6	112	46.7
HMQ 125	R87.5	147	71	Ø6x20dp	M10	Ø14	Ø10.3	2	7	M10	147	49
HMQ 160	R110	185	90	Ø6x20dp	M12	Ø14	Ø10.3	5	7	M10	185	68



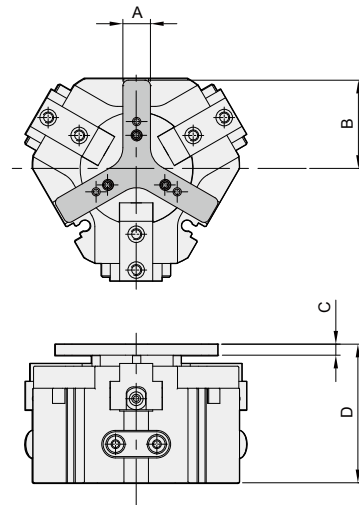
HMQ series - 3 Finger gripper

Sensor switch installation and Setting

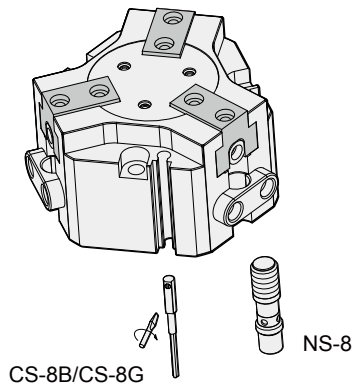
CHELIC

► Ejector module

Code Model	A	B	C	D
25	8	21	3	32.5
32	10	27	4	40.5
44	10	32	4	50.3
55	12	40	4	57.3
70	12	50	4	67.3
92	15	62.5	4	76.8
125	20	74	4	90
160	24	98	4	110.9



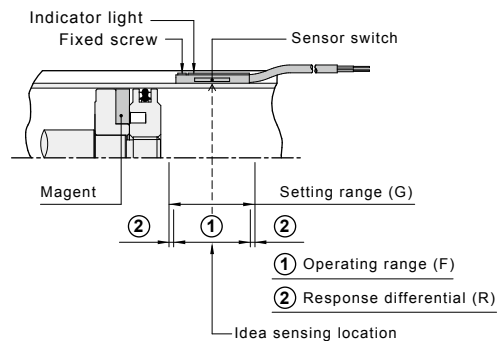
► Sensor switch installation



► Setting range

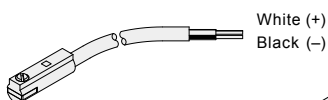
Sensor switch is fixed on the cylinder body. The magnetic piston head will activate the Sensor switch when it enters the operating range. It has 0.5mm differential.

► Sensor switch setting and Operating range



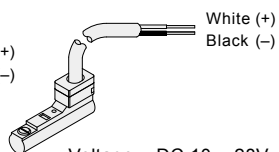
► Sensor switch introduction

CS-8G



Voltage : DC 10 ~ 28V

CS-8B



Voltage : DC 10 ~ 28V

