

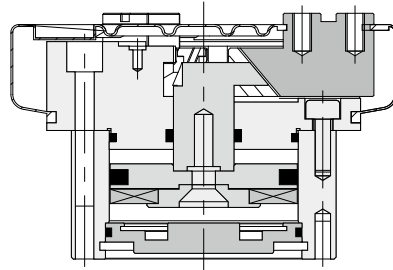


HDQM Series - 3 finger gripper (with Dust cover)

Operation specification and Order expression

CHELIC

Internal structure

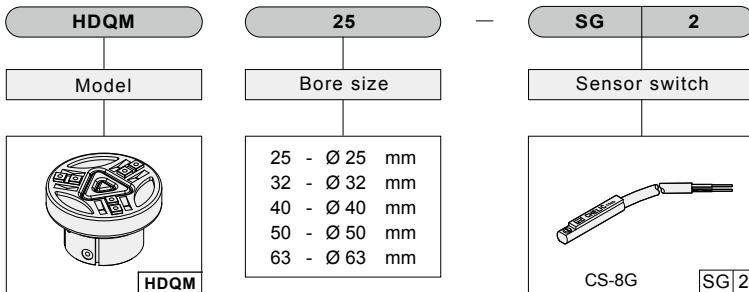


Specification

Item	Bore size (mm)	25	32	40	50	
Operation		Double acting				
Fluid		Air				
Pressure range	Kgf/cm ² (kPa)	3~6 (300~600)				
Ambient and fluid temperature	°C	0~60				
Max. operation frequency	min	120	60			
Lubrication		Free				
Gripping force	Outer force	N	30	70	131	282
	Inner force	N	35	82	149	314
Gripper stroke	mm	6	8	8	12	
Port size		M5				
Sensing device		With magnet				

Note: The gripping force for the pressure is 0.5 MPa, gripping point =20mm

How to Order



None : Without sensor switch

SG : Sensor switch code (CS-8G)

SB : Sensor switch code (CS-8B)

SGN : Sensor switch code (CS-8GN)

SGP : Sensor switch code (CS-8GP)

2 : Number of sensor switch

1= 1 sensor switch

2= 2 sensor switches

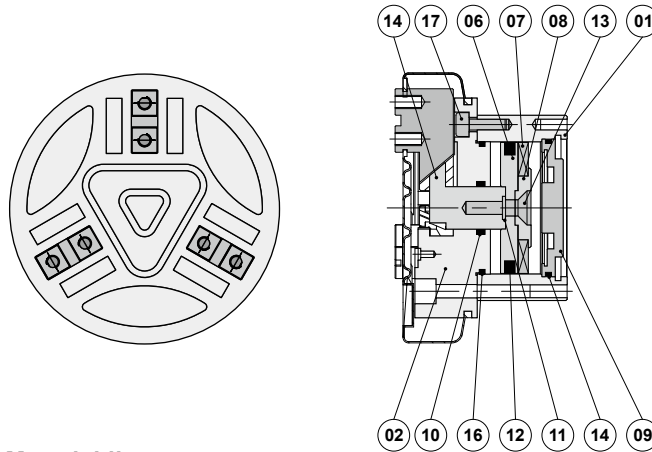


HDQM Series - 3 finger gripper (with Dust cover)

Components and Material list

CHELIC

Internal structure



Components and Material list

No	Part name	Material	No	Part name	Material
01	Body	Aluminum alloy	11	O-ring	NBR
02	Top cover	Alloy steel	12	Piston packing	NBR
03	Finger	Stainless steel	13	Screw	Alloy steel
04	Sliding rod	Alloy steel	14	Rear cover O-ring	NBR
05	Dust cover	NBR	15	C clip	Alloy steel
06	Piston	Aluminum alloy	16	Top cover O-ring	NBR
07	Magnet	Rare earth/plastic	17	Hexagon socket head cap screw	Alloy steel
08	Magnet cap	Aluminum alloy	18		
09	Rear cap	Aluminum alloy	19		
10	Shaft packing	NBR	20		

Packing and O-Ring

Item	Piston packing	Piston packing	Rear cover O-ring	O-ring	Top cover O-ring
Ø25	PZ-2518	MY-10A	Ø22xØ1.5	Ø4xØ1	Ø22xØ1.5
Ø32	APA-32	MYA-12	Ø28.5xØ2	Ø6xØ1.5	Ø28xØ2
Ø40	APA-40	MYA-14	Ø38.5xØ2	Ø6xØ1.5	Ø36xØ2
Ø50	APA-50	MYA-16	Ø48xØ2	Ø6xØ1.5	Ø46xØ2

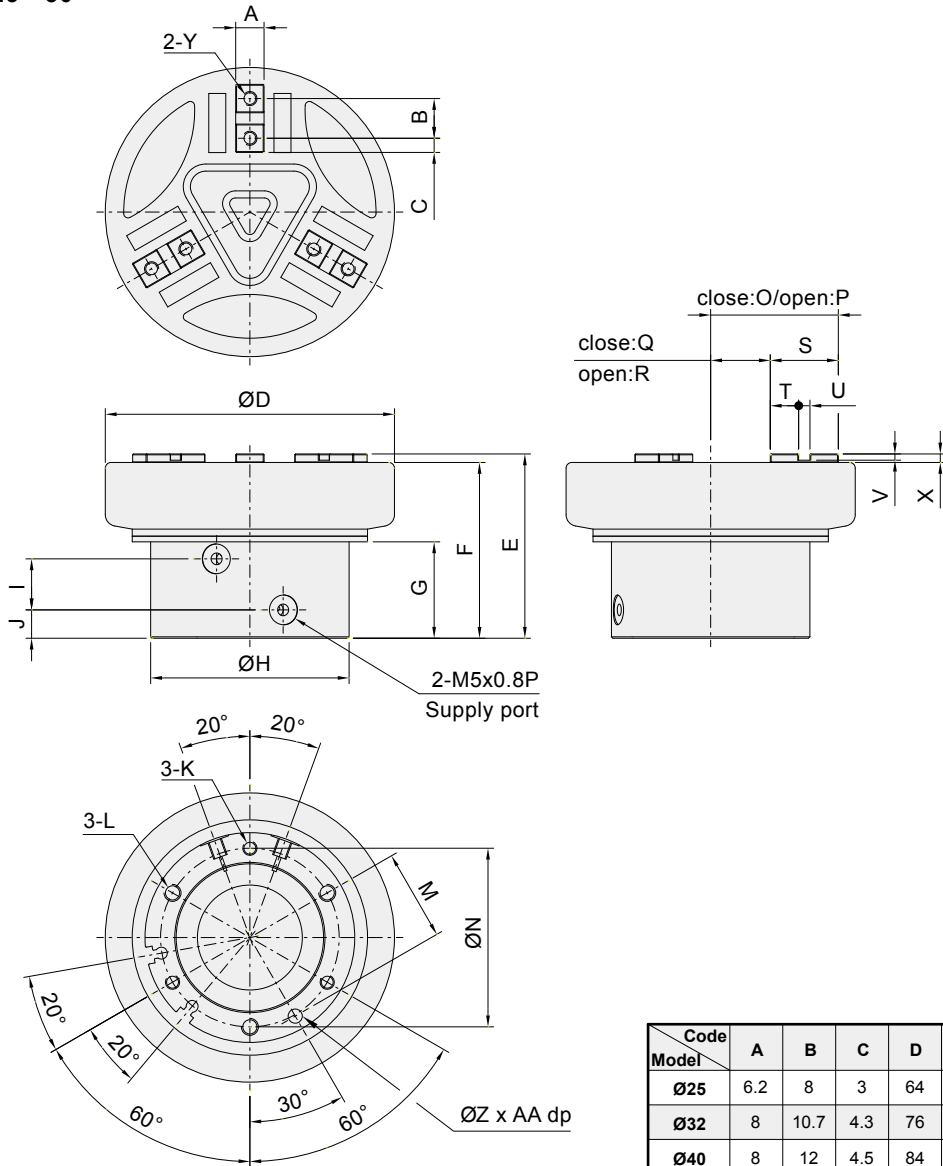


HDQM Series - 3 finger gripper (with Dust cover)

External dimensions

CHELIC

HDQM25 - 50



Code Model	A	B	C	D	E	F
$\varnothing 25$	6.2	8	3	64	50	46.9
$\varnothing 32$	8	10.7	4.3	76	52.8	49.8
$\varnothing 40$	8	12	4.5	84	54.8	51.3
$\varnothing 50$	10	14	5	102	65	62

Code Model	G	H	I	J	K	L	M	N	O	P	Q	R	S	T	U	V	X	Y	Z	AA
$\varnothing 25$	27.2	44	10.9	9	M3x0.5P	M4x0.7P	18	35.5	23.5	27.2	9.5	13.2	14	6	2	2.2	3.1	M3x0.5Px8dp	3	3
$\varnothing 32$	27.9	54	11.9	8.7	M4x0.7P	M5x0.8P	22	44	31.4	36	11.4	16	19.5	8.7	2	2	3	M3x0.5Px8dp	4	4
$\varnothing 40$	30.3	62	13.5	9.5	M4x0.7P	M5x0.8P	26.25	52.5	36	41	15	20	21	9	3	2.2	3	M4x0.7Px9dp	4	4
$\varnothing 50$	34	70	18	10	M5x0.8P	M6x1.0P	32	63	42	48	18	24	24	10	4	2.2	3	M5x0.8Px11dp	5	5

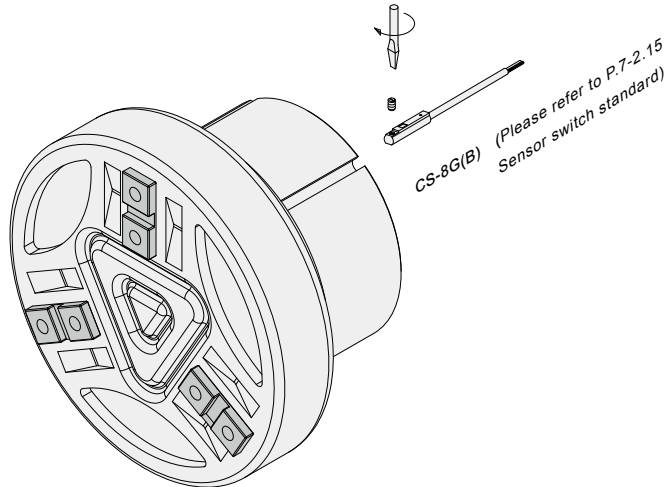


HDQM Series - 3 finger gripper (with Dust cover)

Sensor switch installation and Setting

CHELIC

▶ Sensor switch installation



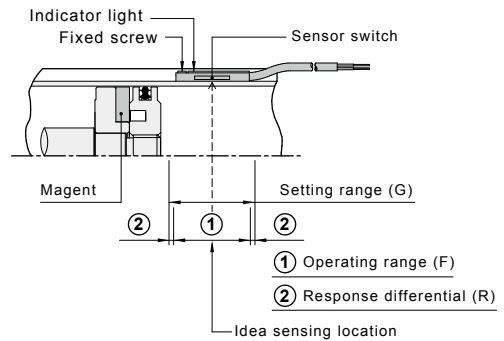
▶ Detecting range

Sensor switch is fixed on the cylinder body. The magnetic piston head will activate the sensor switch when it enters the operating range. It has 0.5mm differential.

▶ Operating range

When piston moves the switch setting and adjustment will be based on the responding range generated by the magnetic field and the switch. (Please refer to the below or right table)

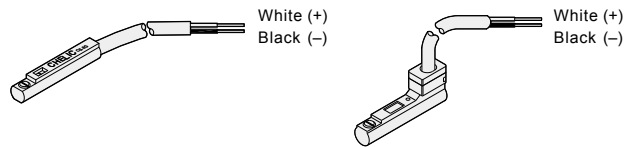
▶ Sensor switch setting and Operating range



▶ Sensor switch introduction

CS-8G

CS-8B



Voltage : DC 4~120V
AC 4~120V

Unit: mm

Model	CS-8G(B)	
Bore size	Operating range (F)	Reponse differentia (R)
25	7 (3)	1
32	10 (7)	1
40	12 (9)	1
50	14 (12)	1