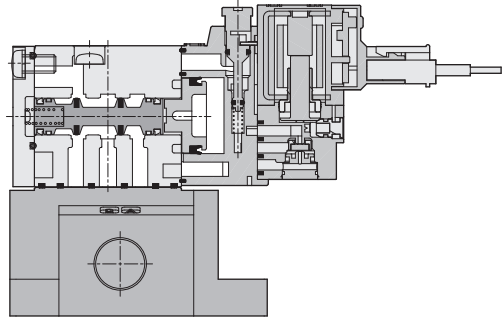
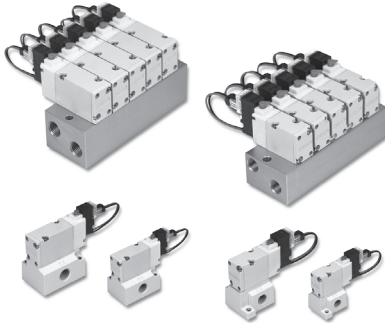


SRUB series 3/2 Base Mounted Solenoid Valve

Product features

CHELIC

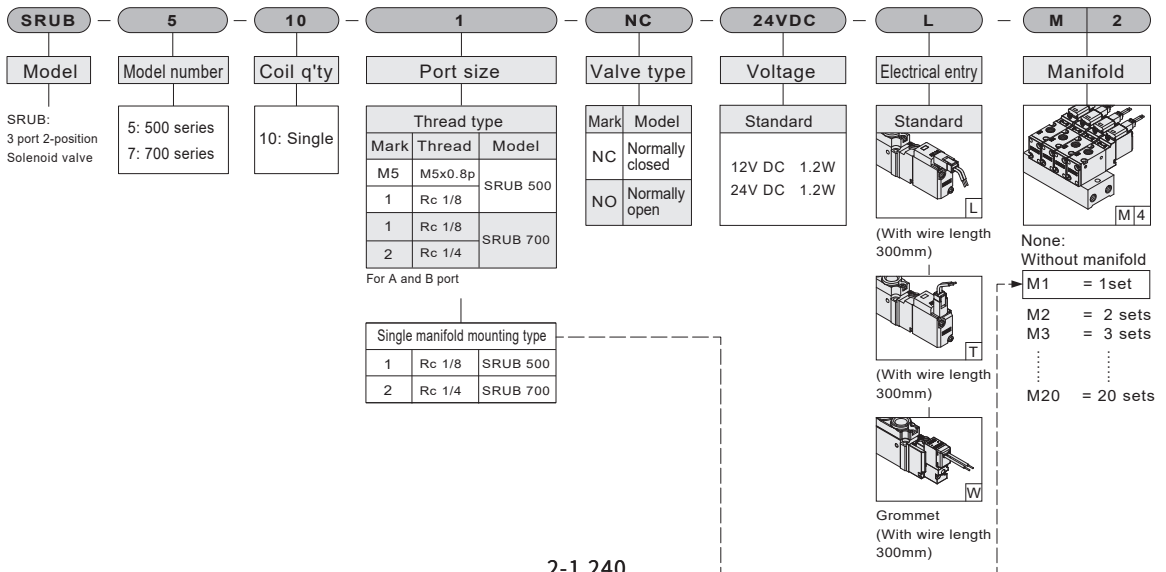
Internal structure



Specification

Item	Model	SRUB 500	SRUB 700
Fluid		Air	
Pressure range	kgf/cm ² (kPa)	1.5~7(150~700)	
Ambient and fluid temperature	°C	5 ~ 60	
Pilot type		Air operated	
Number of positions		3/2-position	
Type of actuation		Normally closed/ Normally open	
Effective orifice	mm ² (CV)	3.06(0.17)	11.7(0.65)
Manual override		Push and Lock	
Port size		Rc1/8	Rc1/4
Lubrication		Lubrication free type	

Code of order



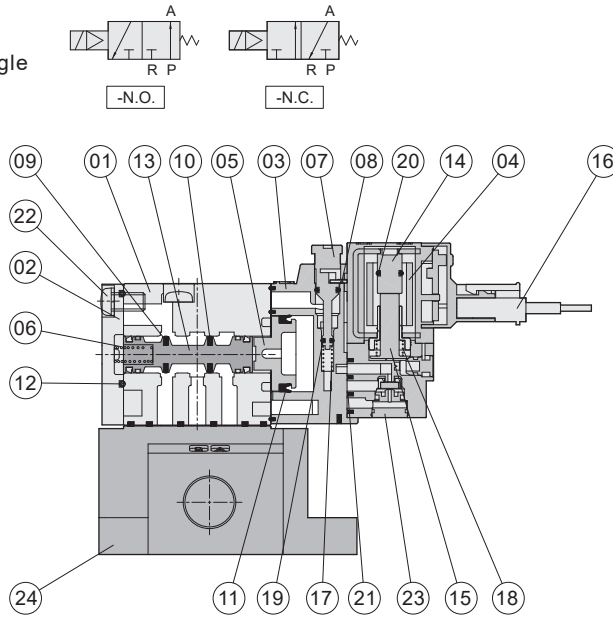
SRUB series 3/2 Base Mounted Solenoid Valve

Product features

CHELIC

Internal structure

- 3 port 2-position single



Components and Material list

NO.	Item	Material	NO.	Item	Material
01	Main body	Aluminum alloy	13	Shaft	Aluminum alloy
02	Rear cover	Aluminum alloy	14	Coil insert bushing	Stainless steel
03	Holder	Resin	15	Spring bushing	Stainless steel
04	Coil	—	16	Wire plug	Resin
05	Holder piston	POM	17	Manual override spring	Stainless steel
06	Rear cover spring	Stainless steel	18	Spring bushing spring	Stainless steel
07	Manual override	POM	19	Manual override O-Ring	NBR
08	Position iron plate	Iron	20	Coil insert bushing O-ring	NBR
09	Spool packing	NBR	21	Rubber lining	NBR
10	Spool packing	NBR	22	Rear screw	Alloy steel
11	Holder piston packing	NBR	23	Switch	Cooper alloy
12	Rear cover O-ring	NBR	24	Single sub-plate	Aluminum alloy

Note: The main body treated with painting.

Packing and O-Ring material list

Item	Holder piston packing	Rear cover packing	Manual rod O-Ring	Coil insert bushing O-ring
Model / Quantity	1	1	1	1
SRUB 500	MYA-10	MYA-7	∅2.4x∅0.8	∅2.4x∅0.8
SRUB 700	MYA-11	MYA-7	∅2.4x∅0.8	∅2.4x∅0.8

Note: Piston packing and rod packing all adopt import parts (MITSUBISHI, SAKAGAH, and same grade)

ISO

SRU

SRUB

SMU

SMUB

SKU

SKB

SKV

SV310

SWB

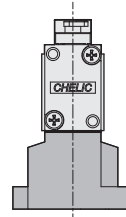
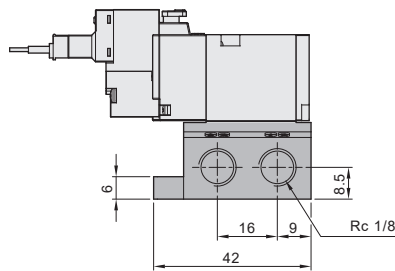
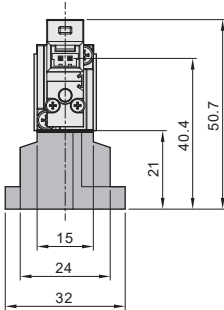
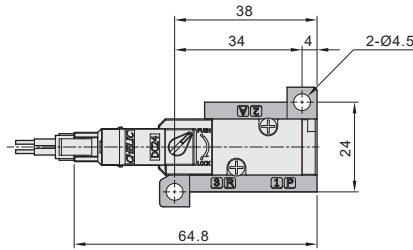
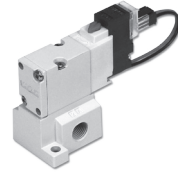
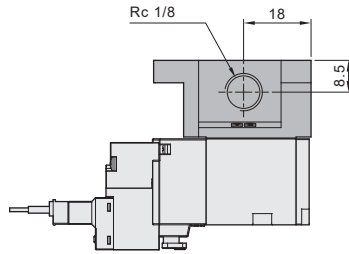
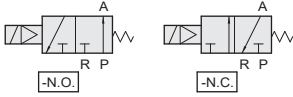
SRUB 500 series 3/2 Base Mounted Solenoid Valve

Dimensions/ Base mount type

CHELIC

SRUB 5101 - □

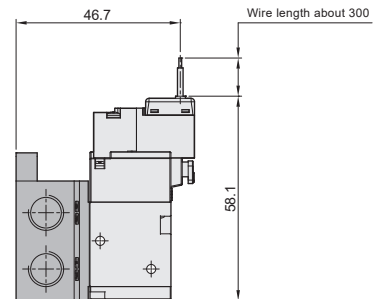
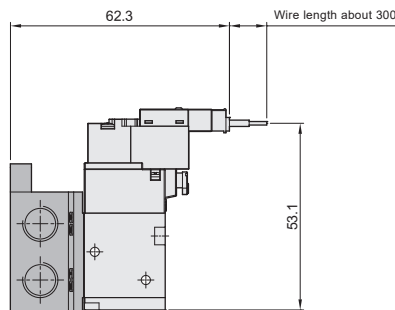
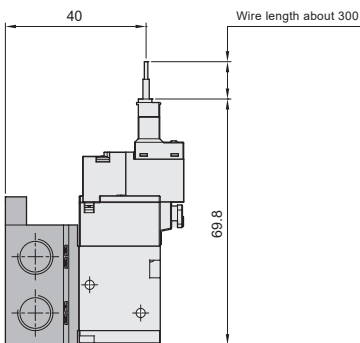
3 port 2-position single



L wire type - □

T wire type - □

W wire type - □

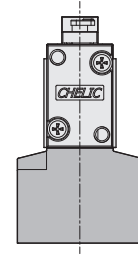
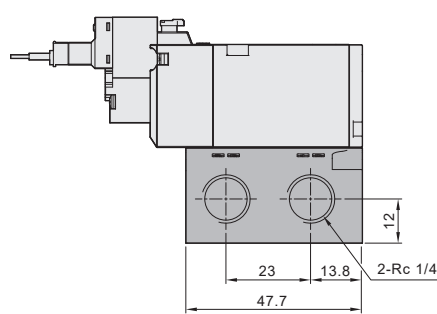
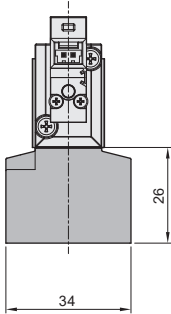
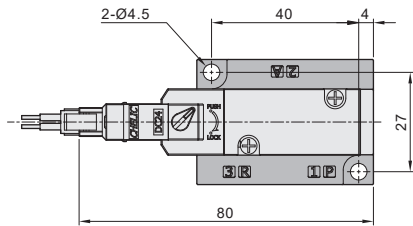
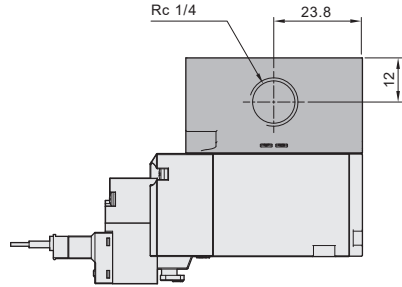
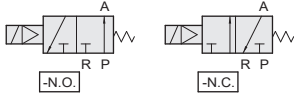


SRUB 700 series 3/2 Base Mounted Solenoid Valve

Dimensions/ Base mount type

CHELIC

SRUB 7102 - □ 3 port 2-position single



ISO

SRU

SRUB

SMU

SMUB

SKU

SKB

SKV

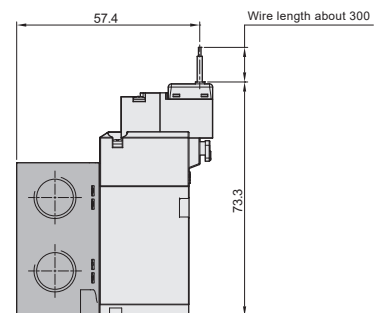
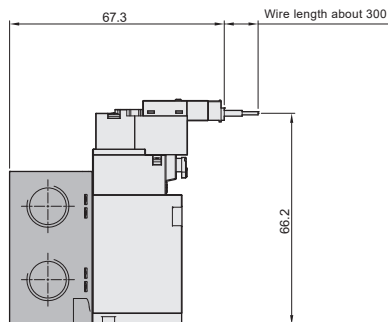
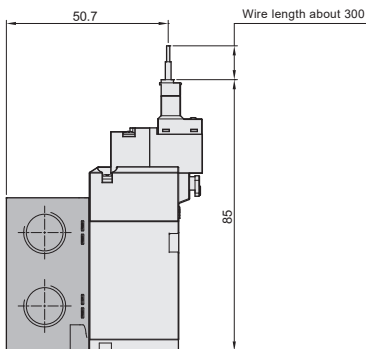
SV310

SWB

L wire type - □

T wire type - □

W wire type - □



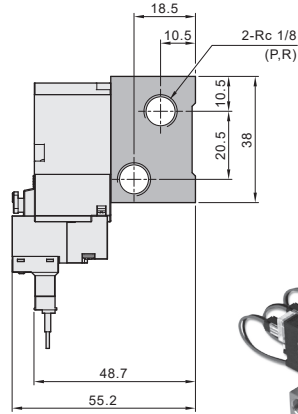
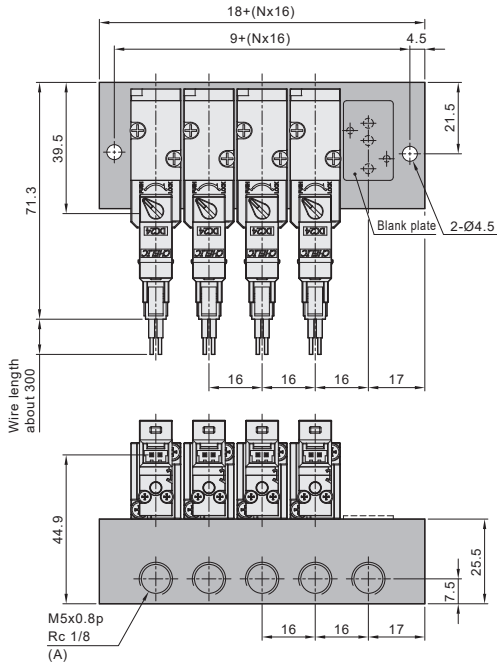
SRUB series 3/2 Base Mounted Solenoid Valve

Dimensions/ Manifold type

CHELIC

SRUB 500 series - Base mount type

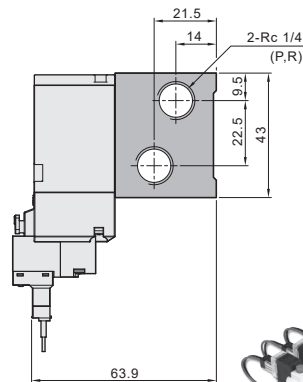
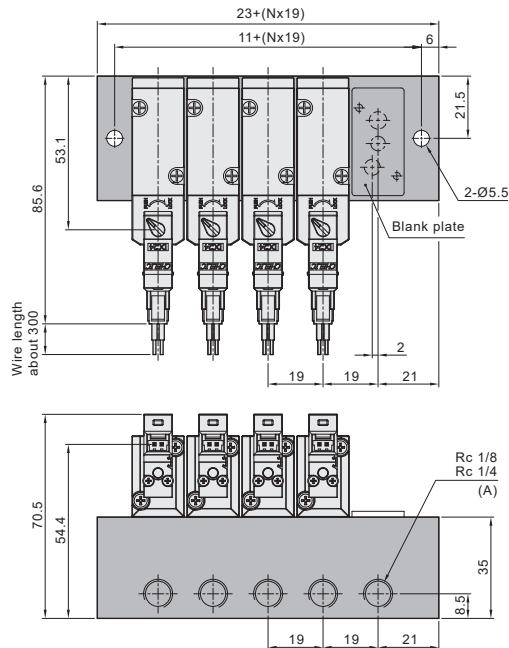
Manifold dimension



Note: Blank plate with rubber lining is reserved for temporary storage space of solenoid valves.

SRUB 700 series - Base mount type

Manifold dimension



Note: Blank plate with rubber lining is reserved for temporary storage space of solenoid valves.

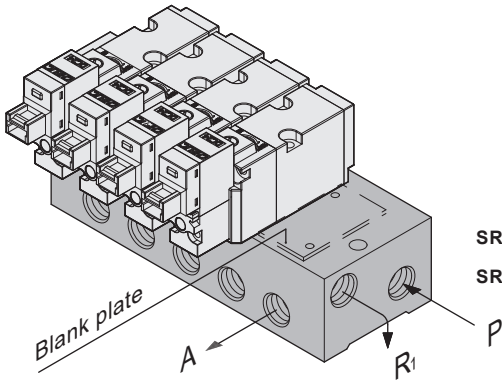
SRUB series 3/2 Base Mounted Solenoid Valve

Accessories/ Installation

CHELIC

Manifold

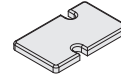
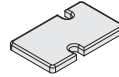
SRUB - 500 • 700 series



Manifold accessory

SRUB - 500 • 700 series

※ The accessories of blank plate.



Blank plate

Rubber lining

Mounting screw

SRUB-500 series

MSMUB05041

MSMUB05039

M2.6X6.5L MSMUB05040

SRUB-700 series

MSMUB07041

MSMUB07039

M3X8L MSMUB07040

ISO

SRU

SRUB

SMU

SMUB

SKU

SKB

SKV

SV310

SWB

With indicator light: all this series with indicator light and voltage protection circuit

