

SQR series Fitting

Product features/ Code of order

CHELIC_®

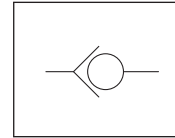
Feature

- Only single direction can air flow but opposite direction can't (remain pressure of single direction).
- It can in low pressure and retain vacuum pressure.

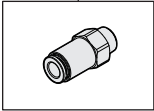
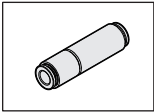
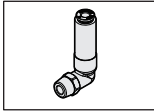
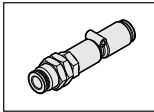
Specification

Item	Model	SQRC, SQRH
Fluid		Air
Action pressure	kgf/cm ² (MPa)	0.5 (0.05)
Pressure range	kgf/cm ² (MPa)	0~9 (0.09)
Ambient and fluid temperature	°C	0 ~ 60
Vacuum pressure	mmHg(Torr)	-750 (1.0)

Symbol

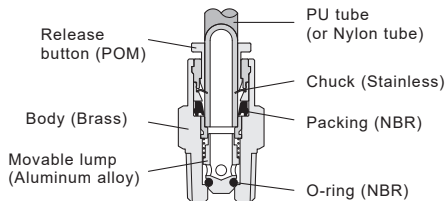


Code of order

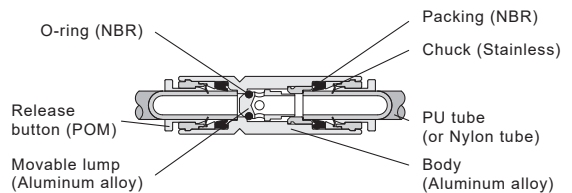
SQRC	-	6	-	01	-	A				
Model		Port size		Thread		Control direction				
 SQRC: Self-seal straight male	 SQRH: Self-seal straight union	 SQRH: Self-seal bulkhead union	 SQRH: Self-seal bulkhead union	Metric: Ø4 : Ø4 mm Ø6 : Ø6 mm Ø8 : Ø8 mm Ø10 : Ø10 mm Ø12 : Ø12 mm Inch: 5/32" : Ø3.97mm 1/4" : Ø6.35mm 5/16" : Ø7.94mm 3/8" : Ø9.53mm 1/2" : Ø12.7mm	Metric: M5 : M5 x 0.8 01 : PT 1/8" 02 : PT 1/4" 03 : PT 3/8" 04 : PT 1/2" Inch: 10/32 : NR 10/32" 01 : NPT 1/8" 02 : NPT 1/4" 03 : NPT 3/8" 04 : NPT 1/2"	<table border="1"> <tr> <td>A</td> <td>Input control from thread point.</td> </tr> <tr> <td>B</td> <td>Input control from hold point.</td> </tr> </table>	A	Input control from thread point.	B	Input control from hold point.
A	Input control from thread point.									
B	Input control from hold point.									

Internal structure

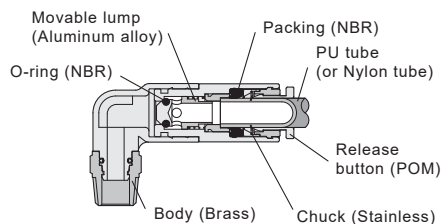
SQRC series



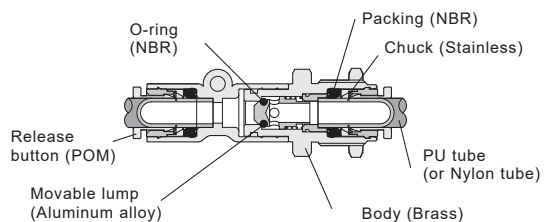
SQRH series



SQRL series



SQRM series



SQR series Fitting

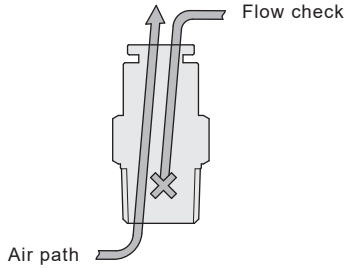
Control direction

CHELIC®

Control direction for check valve

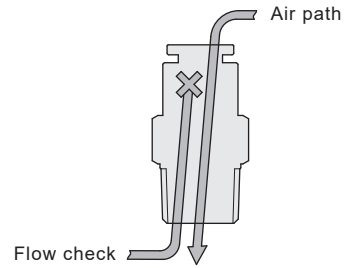
► SQR series

– **A** Input control from thread point (Standard)



● SQR – □ – A

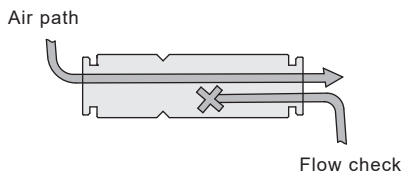
– **B** Input control from hold point



● SQR – □ – B

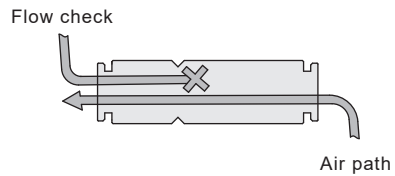
► SQRH series

– **A** Input control from thread point (Standard)



● SQRH – □ – A

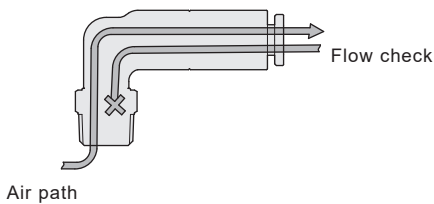
– **B** Input control from hold point



● SQRH – □ – B

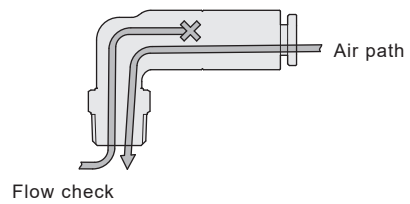
► SQRL series

– **A** Input control from thread point (Standard)



● SQRH – □ – A

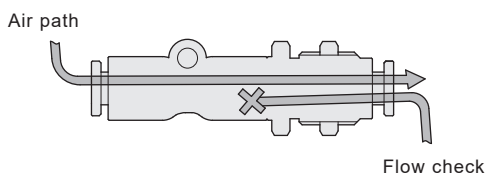
– **B** Input control from hold point



● SQRH – □ – B

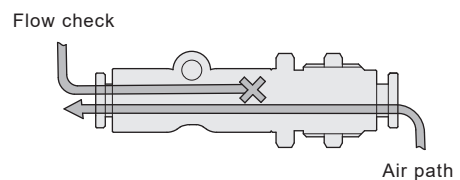
► SQRM series

– **A** Input control from thread point (Standard)



● SQRM – □ – A

– **B** Input control from hold point



● SQRM – □ – B

SQ □

MSQ □

SP □

SQ □ J

SQR □

SQ □ G

RQL

M □

Stainless steel fitting

Brass Fitting

Full copper fitting

□ SC

QS □

QMC

QT

QH □

QV □

QST

PU Tube

SQR series Fitting

Check fitting - SQRC, SQRH series

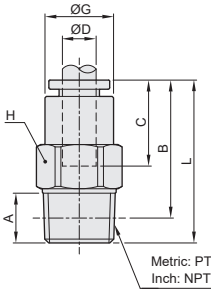
CHELIC_®

► SQRC series Self-seal straight male

Metric specification



Port size ØD	Thread size Rc (PT)	Model	A	B	C	ØG	L	Across flats H	Effective orifice mm ²	Weight (g)
Ø4	M5	SQRC 4 - M5 - □	3.6	30	13.9	10	31.7	10	3.9	11.5
	1/8"	SQRC 4 - 01 - □	6	24.5	13.9	10	27.5	10	4.9	10.5
Ø6	1/8"	SQRC 6 - 01 - □	6	28.8	15.6	12.4	31.8	12	12.5	15.5
	1/4"	SQRC 6 - 02 - □	9	27.3	15.6	12.4	33.5	14	12.5	22
Ø8	1/8"	SQRC 8 - 01 - □	6	30.5	16.8	14	33.5	14	12.5	21
	1/4"	SQRC 8 - 02 - □	9	29	16.8	14	33.5	14	19.5	21
Ø10	3/8"	SQRC 10 - 03 - □	12	56.4	20.3	25	62.4	24	58	45
	1/2"	SQRC 10 - 04 - □	15	60.5	20.3	28	68.5	27	58	50.5
Ø12	3/8"	SQRC 12 - 03 - □	12	58.4	22.3	25	64.4	24	58	42
	1/2"	SQRC 12 - 04 - □	15	63	22.3	28	71	27	58	47.5



Inch specification

Port size ØD	Thread size NR/ NPT	Model	A	B	C	ØG	L	Across flats H	Effective orifice mm ²	Weight (g)
5/32"	NR10/32"	SQRC 5/32" - 10/32 - □	3.6	30	13.9	10	31.7	10	3.9	11.5
	1/8"	SQRC 5/32" - 01 - □	6	24.5	13.9	10	27.5	10	4.9	10.5
1/4"	1/8"	SQRC 1/4" - 01 - □	6	28.8	15.6	12.4	31.8	12	12.5	15.5
	1/4"	SQRC 1/4" - 02 - □	9	27.3	15.6	12.4	33.5	14	12.5	22
5/16"	1/8"	SQRC 5/16" - 01 - □	6	30.5	16.8	14	33.5	14	12.5	21
	1/4"	SQRC 5/16" - 02 - □	9	29	16.8	14	33.5	14	19.5	21
3/8"	3/8"	SQRC 3/8" - 03 - □	12	56.4	20.3	25	62.4	24	58	45
	1/2"	SQRC 3/8" - 04 - □	15	60.5	20.3	28	68.5	27	58	50.5

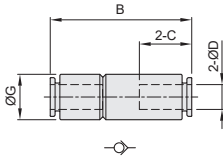
► SQRH series Self-seal straight union

Metric specification



Port size ØD	Model	B	C	ØG	Effective orifice mm ²	Weight (g)
Ø4	SQRH 4 - 4	39.4	13.9	10	4.9	6
Ø6	SQRH 6 - 6	45.2	15.6	12.4	12.5	10
Ø8	SQRH 8 - 8	48.9	16.8	14	19.6	13

Inch specification



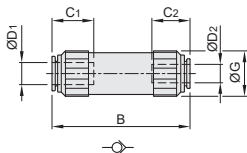
Port size ØD	Model	B	C	ØG	Effective orifice mm ²	Weight (g)
5/32"	SQRH 5/32" - 5/32"	39.4	13.9	10	4.9	6
1/4"	SQRH 1/4" - 1/4"	45.2	15.6	12.4	12.5	10
5/16"	SQRH 5/16" - 5/16"	48.9	16.8	14	19.6	13

Metric specification



Port size		Model	B	C1	C2	ØG	Effective orifice mm ²	Weight (g)
ØD1	ØD2							
Ø10	Ø10	SQRH 10 - 10	72.6	20.3	20.3	25	58	61.5
Ø12	Ø12	SQRH 12 - 12	76.7	22.3	22.3	25	58	57

Inch specification



Port size		Model	B	C1	C2	ØG	Effective orifice mm ²	Weight (g)
ØD1	ØD2							
3/8"	3/8"	SQRH 3/8" - 3/8"	72.6	20.3	20.3	25	58	61.5
1/2"	1/2"	SQRH 1/2" - 1/2"	76.7	22.3	22.3	25	58	57

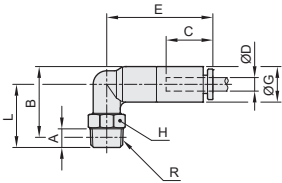
SQR series Fitting

Check fitting - SQRL series

CHELIC_®

► SQRL series Self-seal elbow

Metric specification



Port size ØD	Thread size Rc (PT)	Model	A	B	C	E	ØG	L	Across flats H	Effective orifice mm ²	Weight (g)
Ø4	M5	SQRL 4 - M5 - □	3.6	19.8	13.8	31.3	10.5	16.4	10	3.9	6
	1/8"	SQRL 4 - 01 - □	6	22.4	13.8	31.3	10.5	20.2	10	4.9	10
	1/4"	SQRL 4 - 02 - □	9	24.1	13.8	31.3	10.5	23.4	14	12.5	16
Ø6	M5	SQRL 6 - M5 - □	3.6	22.5	15.7	38	12.5	19	10	3.9	8.5
	1/8"	SQRL 6 - 01 - □	6	25.9	15.7	38	12.5	22.8	10	4.9	10.5
	1/4"	SQRL 6 - 02 - □	9	27.7	15.7	38	12.5	27.1	14	12.5	18
Ø8	3/8"	SQRL 6 - 03 - □	9	28.4	15.7	38	12.5	27.8	17	12.5	22.5
	1/8"	SQRL 8 - 01 - □	6	27.6	16.8	41.5	14.3	24.4	12	4.9	13.5
	1/4"	SQRL 8 - 02 - □	9	29.4	16.8	41.5	14.3	27.7	14	19.6	19
Ø10	3/8"	SQRL 8 - 03 - □	9	30.1	16.8	41.5	14.3	28.4	17	19.6	24.5
	1/8"	SQRL 10 - 01 - □	9	31.6	20.4	75	17.8	25.7	17	4.9	27
	1/4"	SQRL 10 - 02 - □	9	33.4	20.4	75	17.8	29	17	19.6	29
Ø12	3/8"	SQRL 10 - 03 - □	9	34.1	20.4	75	17.8	29.7	17	58	31
	1/2"	SQRL 10 - 04 - □	11	36.1	20.4	75	17.8	32.7	21	58	46
	1/4"	SQRL 12 - 02 - □	9	38.2	23.2	78.3	21.2	32.2	17	4.9	36
Ø12	3/8"	SQRL 12 - 03 - □	9	36.9	23.2	78.3	21.2	32.2	17	58	36
	1/2"	SQRL 12 - 04 - □	11	38.9	23.2	78.3	21.2	35.2	21	58	50

Inch specification

Port size ØD	Thread size NR/ NPT	Model	A	B	C	E	ØG	L	Across flats H	Effective orifice mm ²	Weight (g)
5/32"	NR10/32"	SQRL 5/32"-10/32"- □	3.6	19.8	13.8	31.3	10.5	16.4	10	3.9	6
	1/8"	SQRL 5/32" - 01 - □	6	22.4	13.8	31.3	10.5	20.2	10	4.9	10
	1/4"	SQRL 5/32" - 02 - □	9	24.1	13.8	31.3	10.5	23.4	14	12.5	16
1/4"	NR10/32"	SQRL 1/4" - M5 - □	3.6	22.5	15.7	38	12.5	19	10	3.9	8.5
	1/8"	SQRL 1/4" - 01 - □	6	25.9	15.7	38	12.5	22.8	10	4.9	10.5
	1/4"	SQRL 1/4" - 02 - □	9	27.7	15.7	38	12.5	27.1	14	12.5	18
5/16"	3/8"	SQRL 1/4" - 03 - □	9	28.4	15.7	38	12.5	27.8	17	12.5	22.5
	1/8"	SQRL 5/16" - 01 - □	6	27.6	16.8	41.5	14.3	24.4	12	4.9	13.5
	1/4"	SQRL 5/16" - 02 - □	9	29.4	16.8	41.5	14.3	27.7	14	19.6	19
3/8"	3/8"	SQRL 5/16" - 03 - □	9	30.1	16.8	41.5	14.3	28.4	17	19.6	24.5
	1/8"	SQRL 3/8" - 01 - □	9	31.6	20.4	75	17.8	25.7	17	4.9	27
	1/4"	SQRL 3/8" - 02 - □	9	33.4	20.4	75	17.8	29	17	19.6	29
1/2"	3/8"	SQRL 3/8" - 03 - □	9	34.1	20.4	75	17.8	29.7	17	58	31
	1/2"	SQRL 3/8" - 04 - □	11	36.1	20.4	75	17.8	32.7	21	58	46
	1/4"	SQRL 1/2" - 02 - □	9	38.2	23.2	78.3	21.2	32.2	17	4.9	36
1/2"	3/8"	SQRL 1/2" - 03 - □	9	36.9	23.2	78.3	21.2	32.2	17	58	36
	1/2"	SQRL 1/2" - 04 - □	11	38.9	23.2	78.3	21.2	35.2	21	58	50

SQ □

MSQ □

SP □

SQ □ J

SQR □

SQ □ G

RQL

M □

Stainless steel fitting

Brass Fitting

Full copper fitting

□ SC

QS □

QMC

QT

QH □

QV □

QST

PU Tube

SQR series Fitting

Check fitting - SQRM series

CHELIC_®

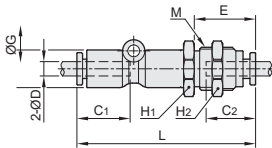
► SQRM series Self-seal bulkhead union

Metric specification



Port size ØD	Thread size M	Model	C1	C2	E	ØG	L	Across flats H1	Across flats H2	Effective orifice mm ²	Weight (g)
Ø4	M12x1	SQRM 4 - 4	12.1	13.8	16.2	10.5	49	14	14	4.9	2
Ø6	M14x1	SQRM 6 - 6	17	15.7	17	12.5	55	17	17	12.5	25
Ø8	M16x1	SQRM 8 - 8	18.8	16.8	18.8	14.3	63	17	19	19.6	35
Ø10	M20x1	SQRM 10 - 10	21	20.4	21	17.8	98	24	24	58	115
Ø12	M22x1	SQRM 12 - 12	23.6	23.2	21.2	21.2	103	24	27	58	135

Inch specification



Port size ØD	Thread size M	Model	C1	C2	E	ØG	L	Across flats H1	Across flats H2	Effective orifice mm ²	Weight (g)
1/4"	M14x1	SQRM 1/4" - 1/4"	17	15.7	17	12.5	55	17	17	12.5	25
5/16"	M16x1	SQRM 5/16" - 5/16"	18.8	16.8	18.8	14.3	63	17	19	19.6	35
3/8"	M20x1	SQRM 3/8" - 3/8"	21	20.4	21	17.8	98	24	24	58	115