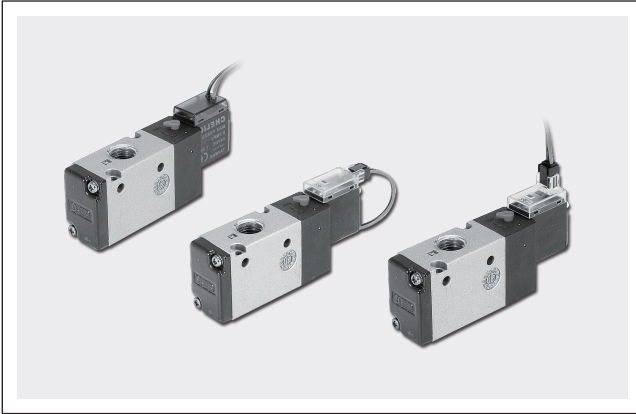


Directional control – SKU series 3/2 Body Ported Solenoid Valve

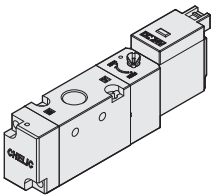
SKU500, SKU600, SKU800 Solenoid Valve

CHELIC



Provide CAD external dimension.

With indicator light and voltage protection circuit



Solenoid valve single coil ----- **SKU - 500 series** ----- **Rc 1/8** ----- **P.2-1.264**
 (3 port 2-position)

SKU - 600 series ----- **Rc 1/8, Rc 1/4** ----- **P.2-1.266**

SKU - 800 series ----- **Rc 1/4, Rc 3/8** ----- **P.2-1.268**

ISO

SRU

SRUB

SMU

SMUB

SKU

SKB

SKV

SV310

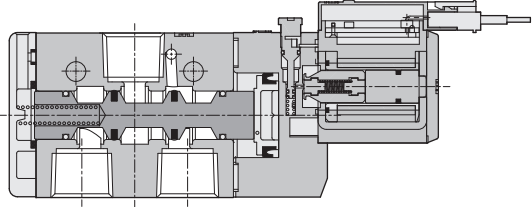
SWB

SKU series 3/2 Body Ported Solenoid Valve

Product features

CHELIC

Internal structure



Specification

Item	Model	SKU 500	SKU 600	SKU 800
Fluid		Air		
Pressure range	kgf/cm ² (kPa)	1.5 ~ 7 (150 ~ 700)		
Ambient and fluid temperature	℃	5 ~ 60		
Pilot type		Air operated		
Number of positions		3/2-position		
Type of actuation		Normally closed/ Normally open		
Effective orifice	mm ² (CV)	12 (0.67)	14 (0.78)	25 (1.4)
Manual override		Push and lock		
Port size		Rc1/8	Rc1/8, 1/4	Rc1/4, 3/8
Lubrication		Lubrication free type		

Code of order

SKU - 5 - 10 - M5 - NC - 24VDC - L - M 2

Model Model number Coil q'ty Port size Valve type Voltage Electrical entry Manifold

SKU: 3 port 2-position Solenoid valve

5: 500 series
6: 600 series
8: 800 series

10: Single

Mark	Thread	Model
1	Rc1/8	SKU500
1	Rc1/8	SKU600
2	Rc1/4	SKU800
2	Rc1/4	
3	Rc3/8	

For A port connection

Mark	Model
NC	Normally closed
NO	Normally open

Standard:
12V DC/1.5W
24V DC/1.5W
110V DC/0.9W
220V DC/1.8W

Standard:
L
T
W
K

With wire length 300mm

Grommet
With wire length 300mm

DIN Terminal

None:
Without manifold
M2 = 2 sets
M3 = 3 sets
.....
M20 = 20 sets

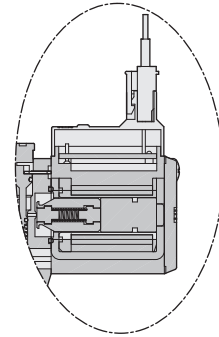
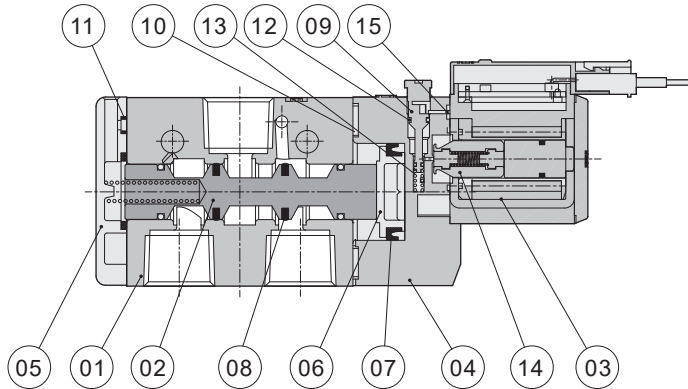
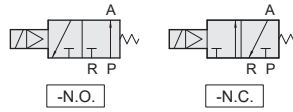
SKU series 3/2 Body Ported Solenoid Valve

Product features

CHELIC

Internal structure

- 3 port 2-position single



- T T wire type

Components and Material list

NO.	Item	Material	NO.	Item	Material
01	Body	Aluminum alloy	09	Manual override	POM
02	Shaft	Aluminum alloy	10	Holder O-ring	NBR
03	Coil	Cooper	11	Rear cover O-ring	NBR
04	Holder	POM	12	Manual override O-ring	NBR
05	Rear cover	POM	13	Manual override spring	Stainless steel
06	Holder piston	POM	14	Spring bushing	Stainless steel
07	Holder piston packing	NBR	15	Position iron plate	Iron
08	Spool packing	NBR	16	Single manifold	Aluminum alloy

Note: The main body treated with painting.

Packing and O-ring material list

Item	Piston packing	Holder O-ring	Manual rod O-ring	Rear cover O-ring
Model \ Quantity	1	1	1	1
SKU 500	—	—	∅2.4x0.8, ∅0.5x0.6	—
SKU 600	MYA-14	∅2x∅1.5	∅2.4x0.8, ∅0.5x0.6	∅17.5x∅1.5
SKU 800	MYA-18	∅2x∅1.5	∅2.4x0.8, ∅0.5x0.6	∅19.5x∅1.5

Note: Piston packing and rod packing all adopt import parts (MITSUBISHI, SAKAGAH, and same grade)

ISO

SRU

SRUB

SMU

SMUB

SKU

SKB

SKV

SV310

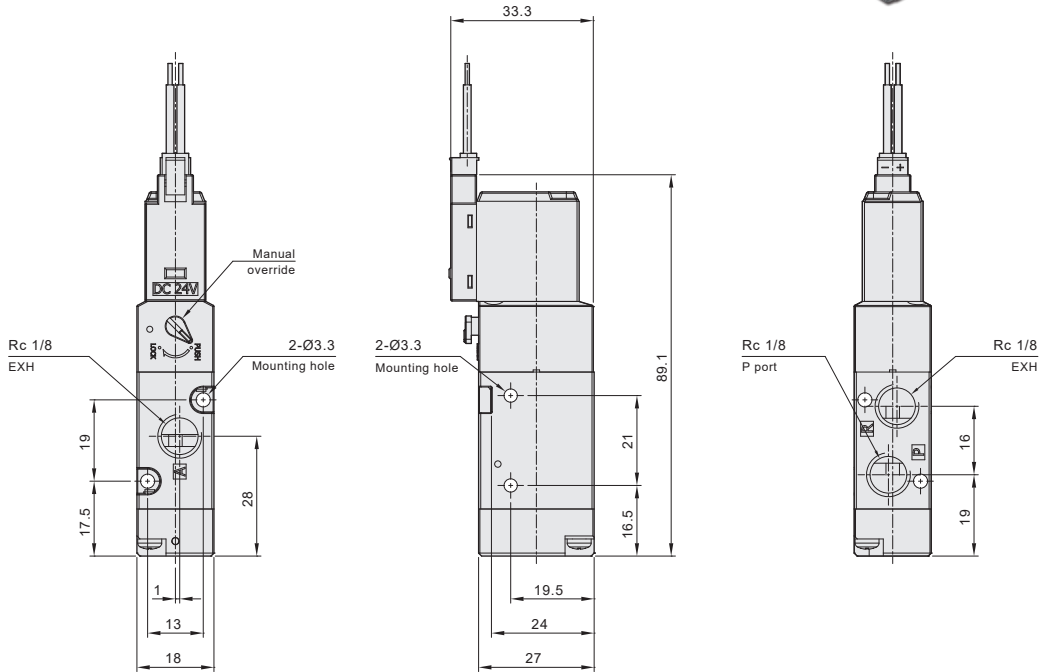
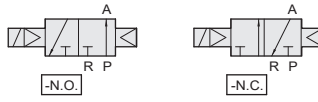
SWB

SKU 500 series 3/2 Body Ported Solenoid Valve

Dimensions

CHELIC

SKU-5101 - series
3 port 2-position single

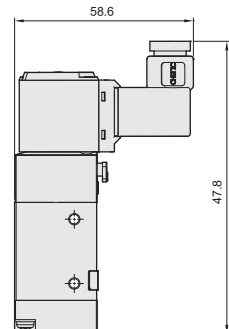
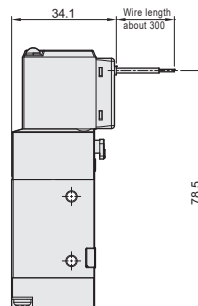
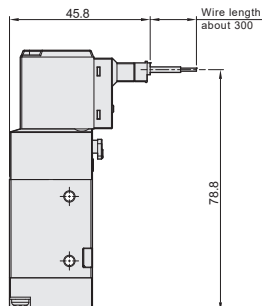
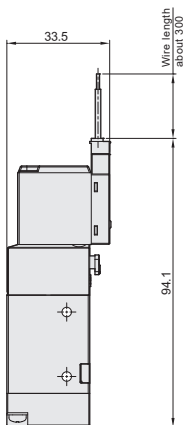


L wire type -

T wire type -

W wire type -

K wire type -

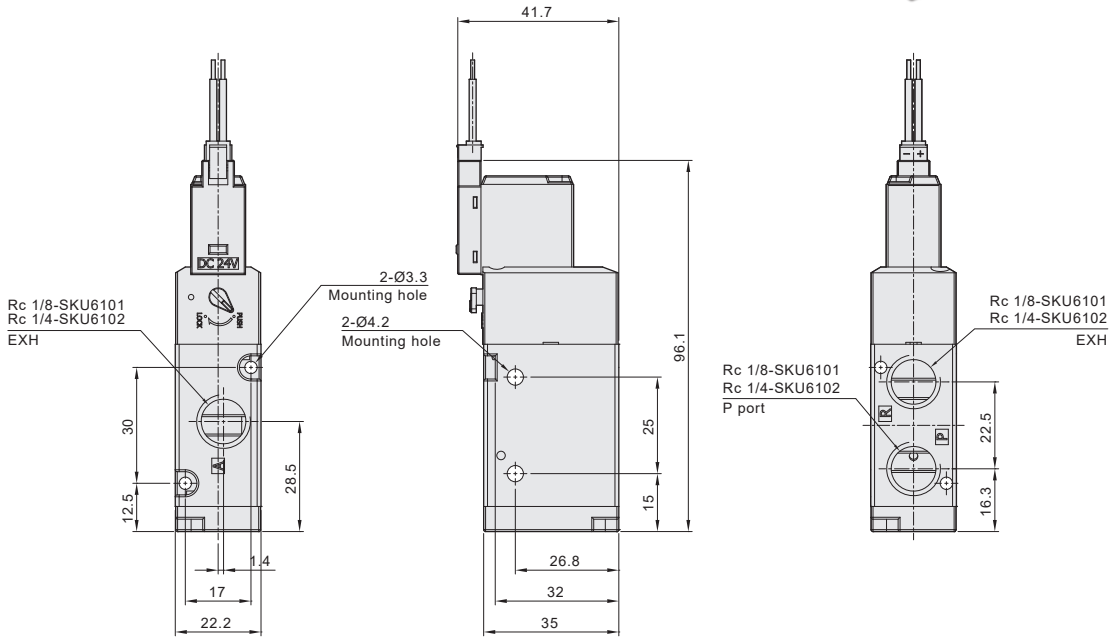
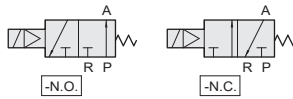


SKU 600 series 3/2 Body Ported Solenoid Valve

Dimensions

CHELIC

- SKU-6101 - series
- SKU-6102 - series
- 3 port 2-position single

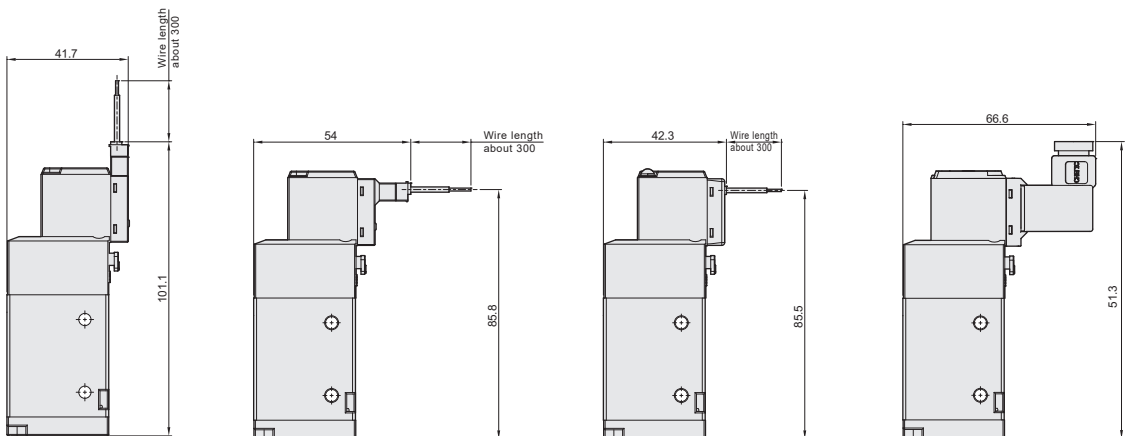


● L wire type - L

● T wire type - T

● W wire type - W

● K wire type - K

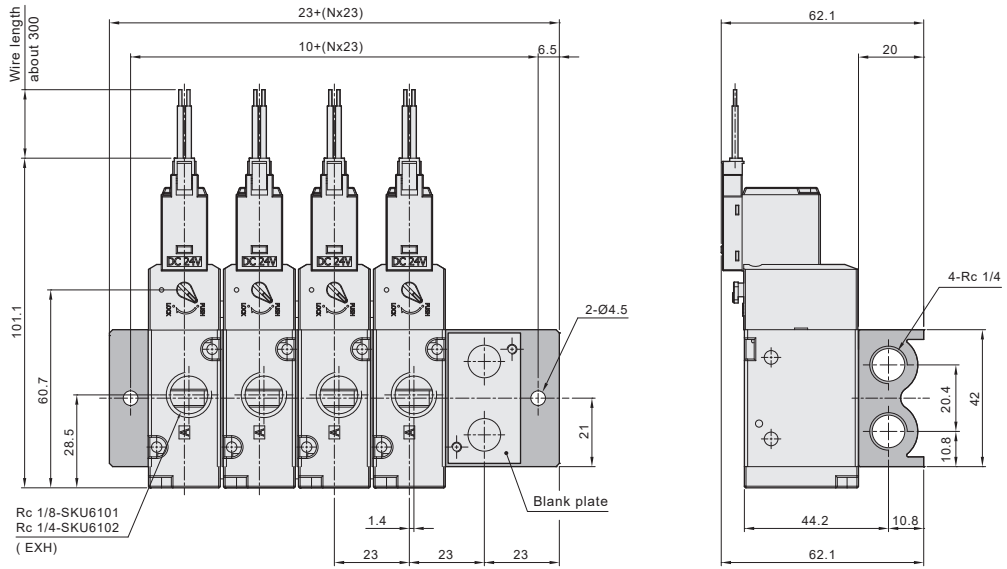


SKU 600 series 3/2 Body Ported Solenoid Valve

Dimensions

CHELIC

SKU 600 series Manifold dimension



ISO

SRU

SRUB

SMU

SMUB

SKU

SKB

SKV

SV310

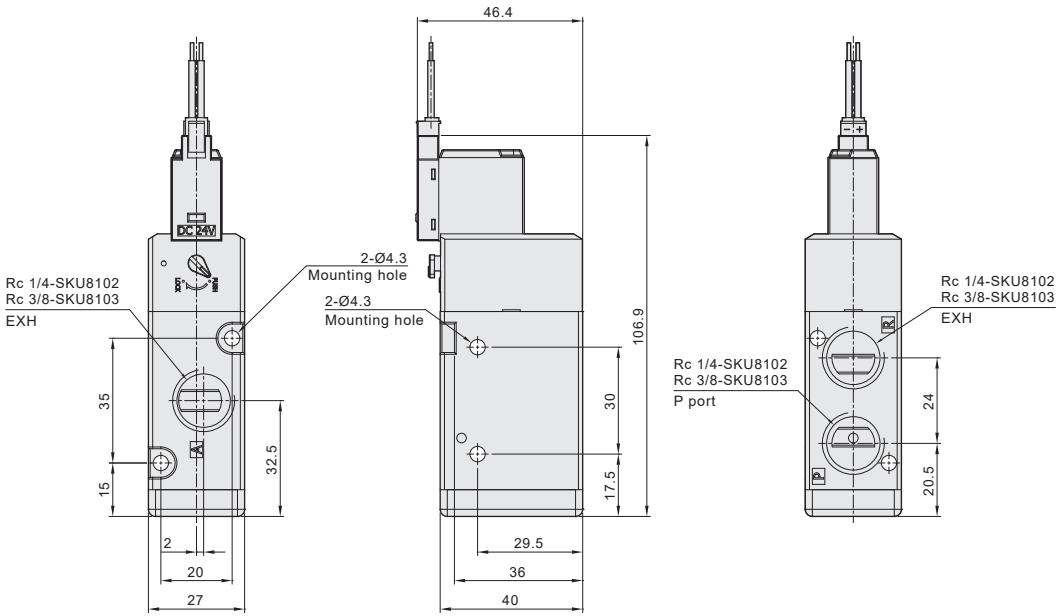
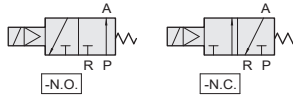
SWB

SKU 800 series 3/2 Body Ported Solenoid Valve

Dimensions

CHELIC

- ☛ SKU-8102 - series
- ☛ SKU-8103 - series
- 3 port 2-position single

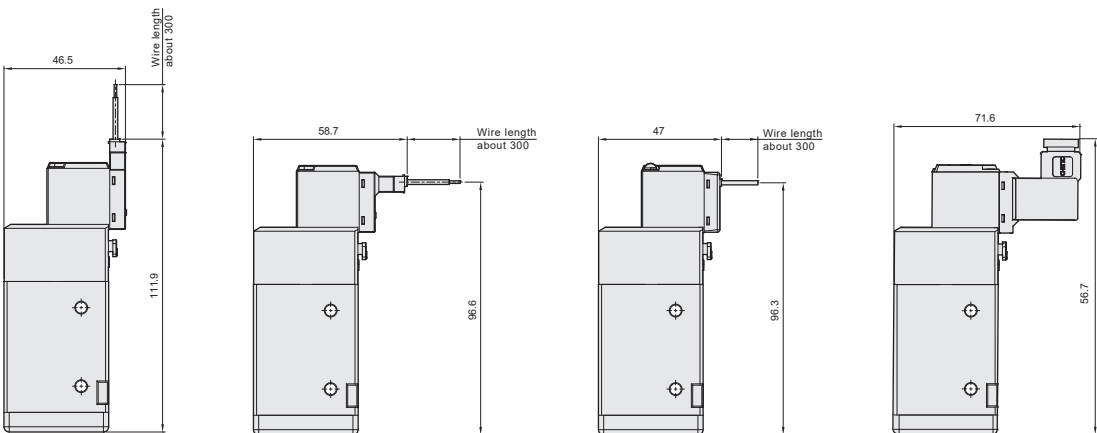


☛ L wire type - L

☛ T wire type - T

☛ W wire type - W

☛ K wire type - K

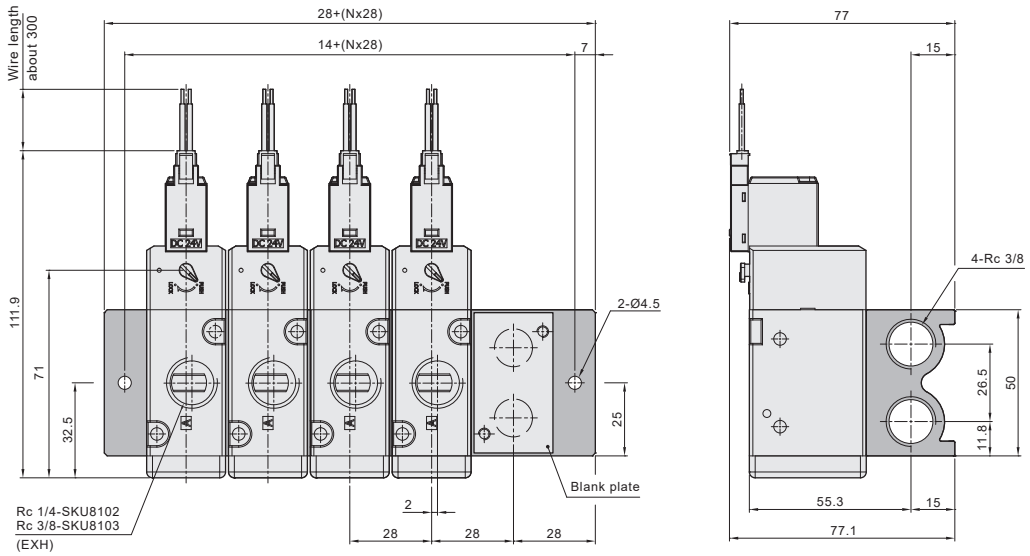


SKU 800 series 3/2 Body Ported Solenoid Valve

Dimensions

CHELIC

SKU 800 series Manifold dimension



ISO

SRU

SRUB

SMU

SMUB

SKU

SKB

SKV

SV310

SWB

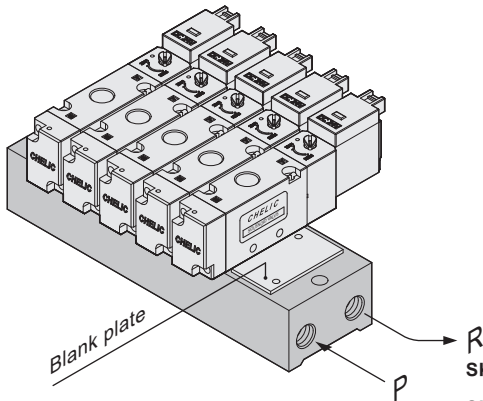
SKU series 3/2 Body Ported Solenoid Valve

Accessories/ Installation

CHELIC

Manifold

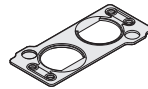
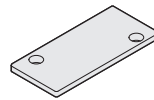
SKU-500 • 600 • 800 series



Manifold accessory

SKU-500 • 600 • 800 series

※ The accessories of blank plate.



Blank plate

SKU-500 series	MSKU-5056
SKU-600 series	MSKU-6056
SKU-800 series	MSKU-8056

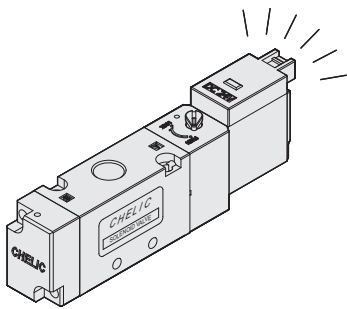
Rubber lining

SKU-500 series	MSKU-5051
SKU-600 series	MSKU-6051
SKU-800 series	MSKU-8051

Mounting screw

SKU-500 series	M3×8L
SKU-600 series	M3×10L
SKU-800 series	M4×9L

With indicator light



Handling details and precaution

1. Please keep the tube fitting clean.
2. Please wrap the thread by tape seal and leave about 2 pitches Unwrapped at the end to as avoid clogging in the air line.

