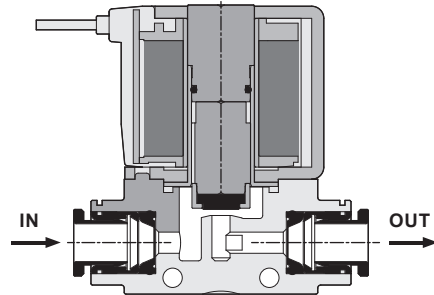
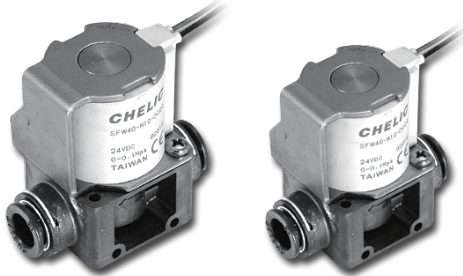


SFW series 2/2 Solenoid Valve

Product features/ Code of order

CHELIC

Internal structure



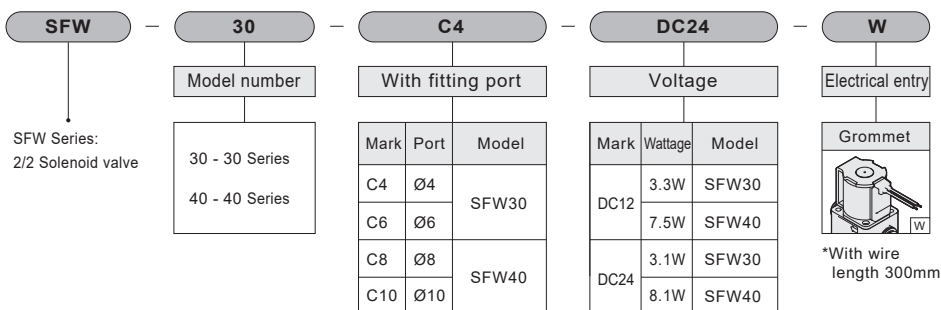
- Applicable to air, water and vacuum fluid.

Specification

Item	Model	SFW30	SFW40
Fluid		Applicable to air, water and vacuum	
Ambient and fluid temperature	°C	5 ~ 60	
Number of position ports		2/2 Solenoid valve	
Type of actuation		Normally closed	
Pilot type		Direct operated	
Withstand pressure	kgf/cm ² (kPa)	10 (1000)	
Port size		Ø4, Ø6	Ø8, Ø10
Effective orifice(Cv factor)	mm ²	5.4 (0.3)	19.8 (1.1)
The max. operating pressure differential*	kgf/cm ² (kPa)	1 (100)	0.2 (20)
Pressure range (Max. range)	Air	0 ~ 9 (0 ~ 900)	
	Water (Normal)		
	Vacuum		
Manual override		No	

*Note: The max. operating pressure differential is while supply port pressure over exhaust pressure value.

Code of order



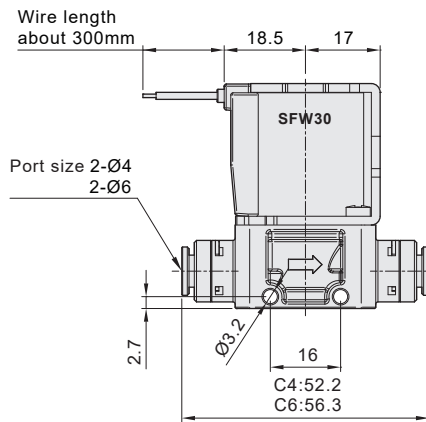
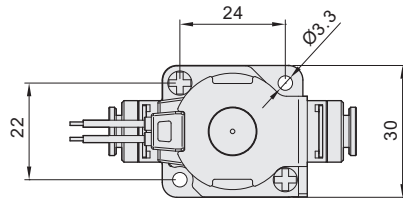
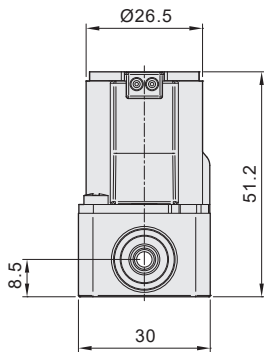
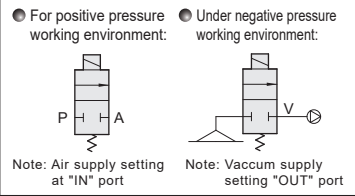
SFW series 2/2 Solenoid Valve

Dimensions/ Single unit

CHELIC

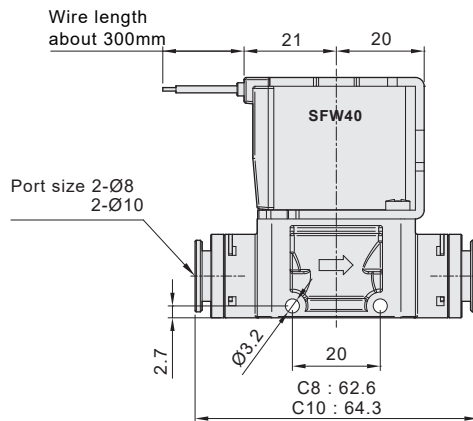
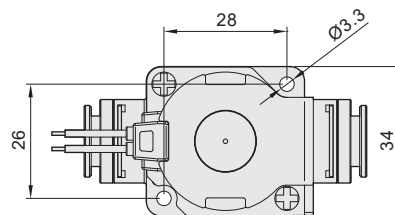
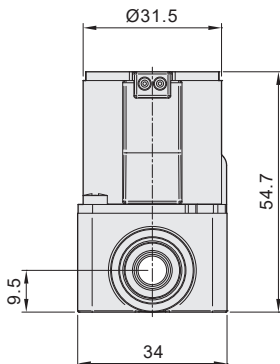
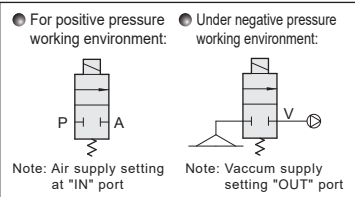
☛ SFW - 30

Fluid assembly description:



☛ SFW - 40

Fluid assembly description:



SBS

SU

SFW

SUB

SUG

SUD2

SUW2

SUS

SAS

SDC