

# SBS series 2/2 Stainless Body Solenoid Valve

Product features/ Code of order

CHELIC

## Code of order



SBS - 01 - 240VDC - K - L

2/2 Solenoid valve  
**SBS:**  
Direct operated  
(General)

Dimensions:  
01: 1/8"  
C6:  
Fitting type C6  
(Please refer to  
specification)

Voltage:  
24 VDC / 6.5W  
110 VAC / 8.5VA  
220 VAC / 8.5VA

Electrical entry  
K: With wire  
Without light  
W: With wire  
length 500mm

None:  
Standard type  
L: With light  
\* For K type only

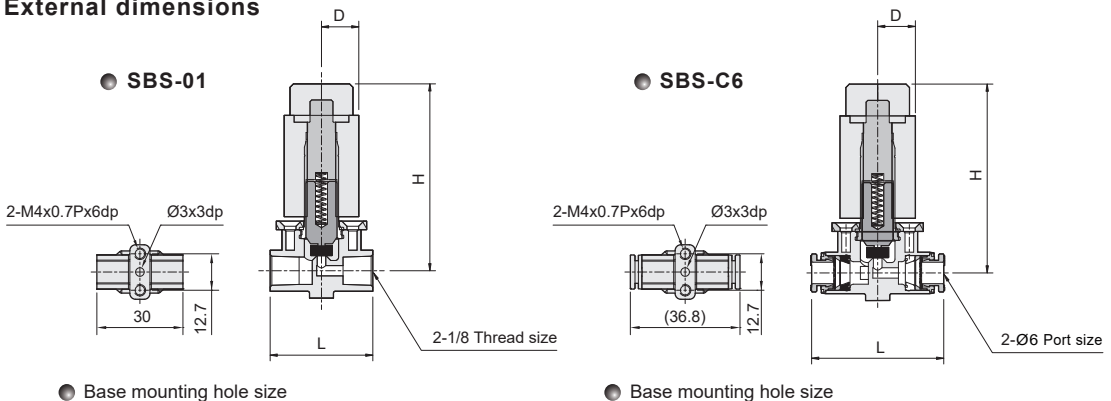
## Specification

Item	Model	SBS-01	SBS-C6
Fluid		Applicable to air and water	
Ambient and fluid temperature °C		5 ~ 60	
Number of position ports		2/2 solenoid valve	
Type of actuation		Normally closed	
Pilot type		Direct operated(General)	
Port size		1/8	Ø6
Effective orifice(Cv factor) mm <sup>2</sup>		4.9	
Pressure range (Max. range) kgf/cm <sup>2</sup> ( kPa )	Air	0 ~ 7 ( 0 ~ 70 )	
	Water (Normal)		
Material	Body	Cast the stainless steel accurately # 316	
	Diaphragm	NBR	
	Spring	Stainless steel	
Weight	kg	0.11	0.11



Note: This product is not suitable for the liquid of high temperature, the fluid of solid while cooling and the fluid of corrosive and viscosity exceed 20CST.

## External dimensions



Item	Model	SBS-01	SBS-C6
D		11	11
H		54.6	54.6
L		30	32.6