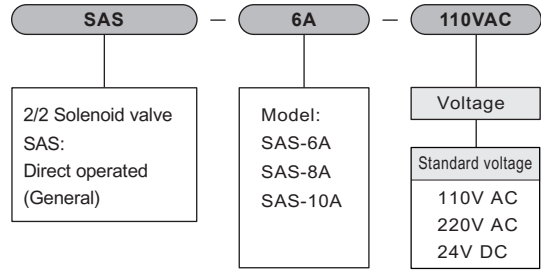


SAS series 2/2 Solenoid Valve

Product features/ Code of order (Stainless steel body)

CHELIC

Code of order

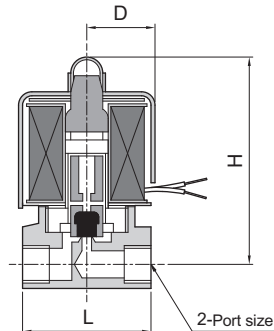


Specification

Item	Model	SAS-6A	SAS-8A	SAS-10A
Fluid		Suitable for the place of steam, the water and air.		
Ambient and fluid temperature	°C	-5 ~ 185		
Number of position ports		2/2 Solenoid valve		
Type of actuation		Normally closed (Custom made for normally open type)		
Pilot type		Direct operated (General)		
Port size	Rc	1/8	1/4	3/8
Orifice	mm Ø	2.5	2.5	4
Effective orifice(Cv factor)	mm ²	0.23	0.23	0.58
Pressure range (Max. range) kgf/cm ² (kPa)	Air	0 ~ 7 (0 ~ 700)		0 ~ 10 (0 ~ 1000)
	Water (Normal)			
	Steam			
Material	Body	Cast the stainless steel accurately #316		
	Diaphragm	NBR, Viton, Silicon, PTFE		
	Spring	Stainless steel		
Weight	Kg	0.3	0.3	0.6

Note: This product is not suitable for the liquid of high temperature, the fluid of solid while cooling and the fluid of corrosive and viscosity exceed 50CST

External dimensions



Item	Model	SAS-6A	SAS-8A	SAS-10A
D		21	21	48
H		63	63	75
L		41	41	54

SBS

SU

SFW

SUB

SUG

SUD2

SUW2

SUS

SAS

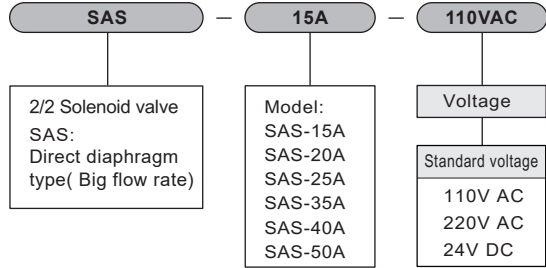
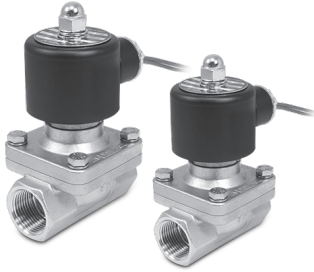
SDC

SAS series 2/2 Solenoid Valve

Product features/ Code of order (Stainless steel body)

CHELIC

Code of order

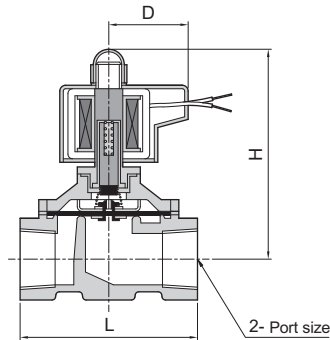


Specification

Item		Model	SAS-15A	SAS-20A	SAS-25A	SAS-35	SAS-40A	SAS-50A
Fluid		Suitable for the place of water and air						
Ambient and fluid temperature °C		-5 ~ 80						
Number of position ports		2/2 Solenoid valve						
Type of actuation		Normally closed (Custom made for normally open type)						
Pilot type		Direct diaphragm type (High flow)						
Port size Rc		1/2	3/4	1	1 ¼	1 ½	2	
Orifice mm Ø		15	20	25	35	40	50	
Effective orifice (Cv factor) mm²		4.5	8.6	12	24	28	48	
Pressure range (Max. range) kgf/cm² (kPa)	Air	0 ~ 7 (0 ~ 700)						
	Water (Normal)	0 ~ 5 (0 ~ 500)						
Material	Body	Cast the stainless steel accurately #316						
	Diaphragm	NBR, Viton, Silicon						
	Inner tube	Stainless steel						
	Spring	Stainless steel						
Weight Kg		0.9	1.0	1.6	3.2	3.4	5.8	

Note: This product is not suitable for the liquid of high temperature, the fluid of solid while cooling and the fluid of corrosive and viscosity exceed 20CST.

External dimensions



Item	Model	SAS-15A	SAS-20A	SAS-25A	SAS-35A	SAS-40A	SAS-50A
D		50			58		
H		100	102	106	140	170	
L		70	73	93	125	167	