

RTBM series Rotary Table

Product features

CHELIC



Specification

Item	Model (mm)	RTBM10-□	RTBM20-□	RTBM30-□	RTBM50-□	RTBM70-□	RTBM100-□
Action		Double acting					
Fluid		Air					
Torque force	N · m	1.5	2.2	3.2	5.5	7.5	9.8
Bore size	mm	Ø15	Ø18	Ø20	Ø25	Ø28	Ø32
Rotation angle	°	90, 180					
Adjustment angle	°	10					
Port size		M5 x 0.8		RC (PT1/8")			
Pressure range	Kgf/cm ² (kPa)	1.5 ~ 7 (150 ~ 700)					
Ambient and fluid temperature	°C	0 ~ 50					
Allowable kinetic energy	J	0.16	0.46	0.6	1.2	3	5.1

Code of order

RTBM	10	×	90	–	SD	2	–	A2
Model	Torque force		Rotation angle		Sensor switch			Shock absorber
	10 : 1.5 N · m 20 : 2.2 N · m 30 : 3.2 N · m 50 : 5.5 N · m 70 : 7.5 N · m 100 : 9.8 N · m		90° - 90° 180° - 180°					
RTBM □ x 90 With Shock absorber					CS-9D	[SD]2		A: Shock absorber 1 = 1 PCS 2 = 2 PCS (option)
					[SD]: Sensor switch mark (CS-9D) [SB]: Sensor switch mark (CS-9B) [SH]: Sensor switch mark (CS-9H) [SDN]: Sensor switch mark (CS-9DNPN) [SDP]: Sensor switch mark (CS-9DPNP) [2]: Number of sensor switch 1 = 1 PCS 2 = 2 PCS (option)			

How to select shock absorber

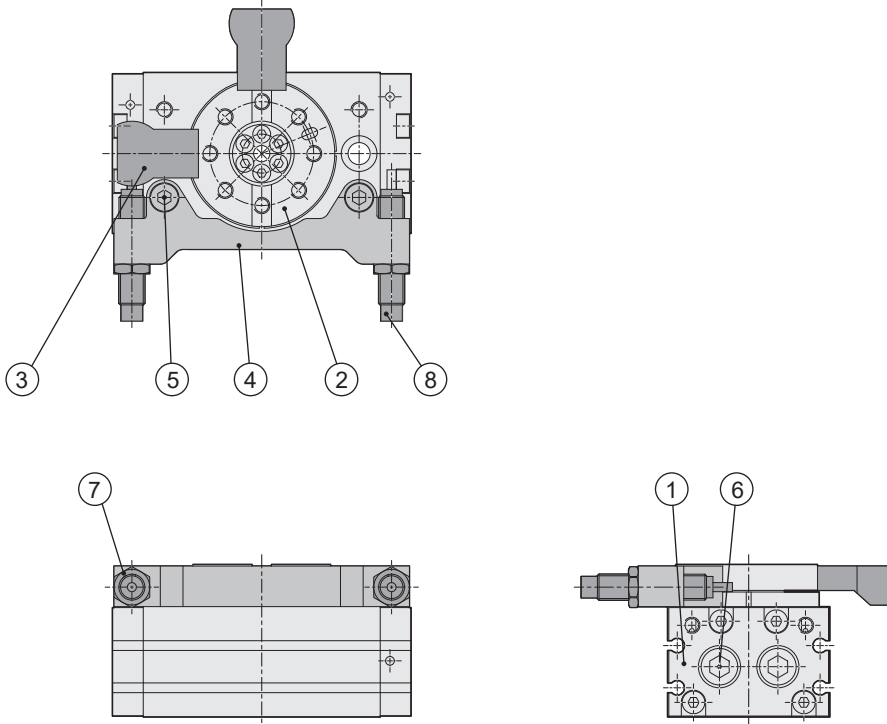
Model	Shock absorber	Max. absorb ability
RTBM-10	SAT-0806N	3 N.m
RTBM-20	SAT-1007N	6 N.m
RTBM-30	SAT-1007N	6 N.m
RTBM-50	SAT-1412N	20 N.m
RTBM-70	SAT-1412N	20 N.m
RTBM-100	SAT-2015N	59 N.m

RTBM series Rotary Table

Product features

CHELIC

External structure



RTM

RMF

RTB

RTBM

RTZB

RTP

RTH

RTU

Components and material list

No.	Item	Material	No.	Item	Material
01	Front cover	Aluminum alloy	06	Front cap bolt	Alloy steel
02	Dial scale	Aluminum alloy	07	Hex nut	Alloy steel
03	Spacer block	Alloy steel	08	Shock absorber	—
04	Position base	Aluminum alloy			
05	Hexagon bolt	Alloy steel			

Weight

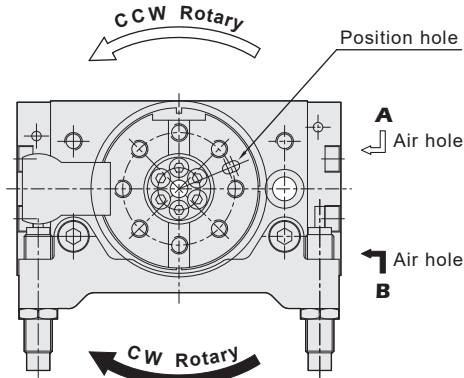
Item \ Model	RTBM-10	RTBM-20	RTBM-30	RTBM-50	RTBM-90	RTBM-100
90°	630g	1200g	1520g	2480g	3390g	4700g
180°	600g	1140g	1450g	2370g	3210g	4500g

RTBM series Rotary Table

Instructions

CHELIC

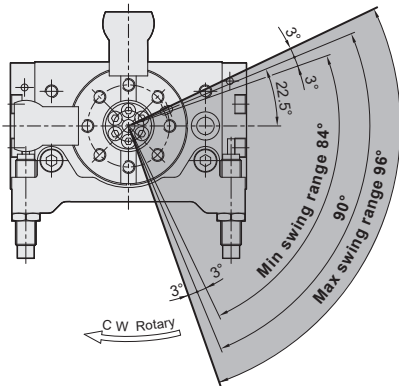
Rotary direction



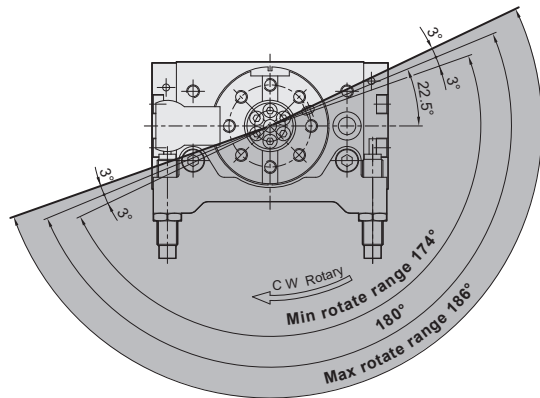
Statement

When A hole input pressure and rotary cover rotary to CCW, when stopper plate closed to the end of rotary stroke that will absorb attack power of rotary form shock absorber on outside bracket. This parts that shock absorber can do expedient angle adjustment. On the contrary, when B hole input pressure, the rotary cover rotary to CW. That also can reach to same purpose.

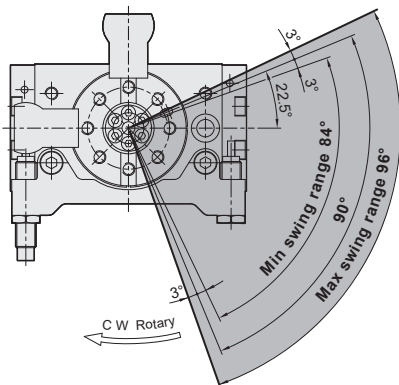
Set range of Rotary angle



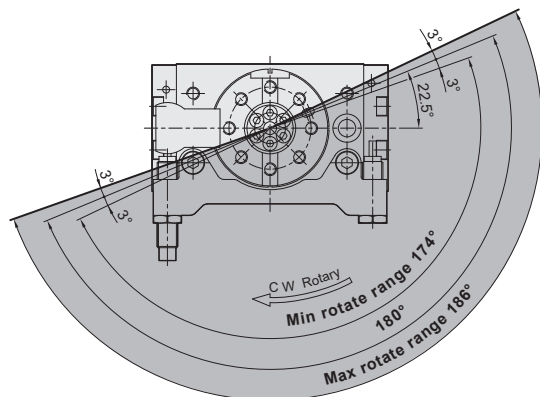
● 90° Swing Rotation



● 180° Swing Rotation



● 90° Swing Rotation



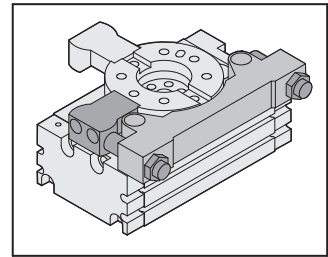
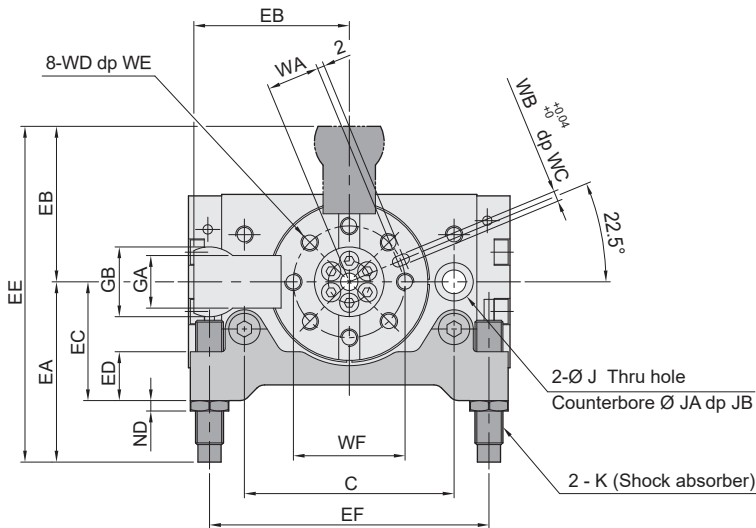
● 180° Swing Rotation

RTBM series Rotary Table

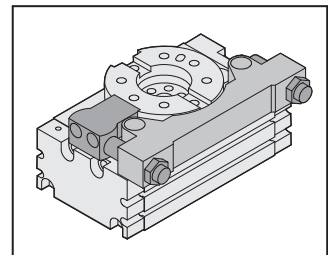
Dimensions

CHELIC

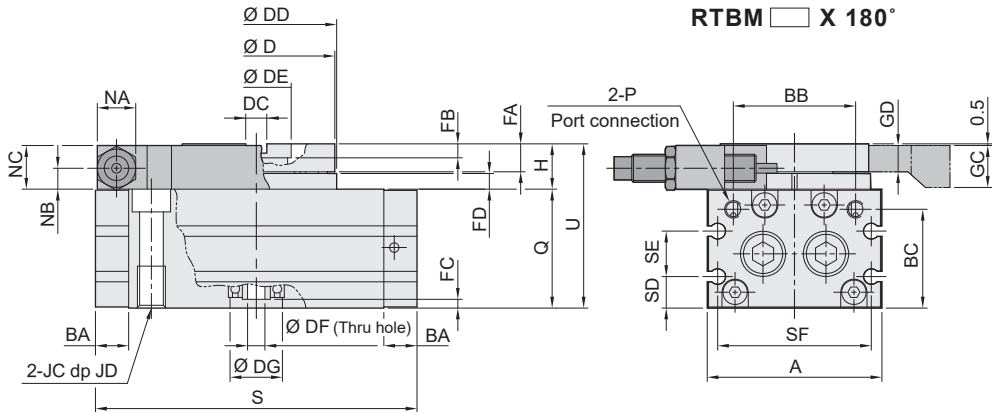
RTBM □ X90°(180°)



RTBM □ X 90°



RTBM □ X 180°



Dimension

Mark Model	A	BA	BB	BC	C	D	DC	DD	DE	DF	DG	EA	EB	EC	ED	EE	EF	FA	FB	FC	FD	GA	GB	GC	GD	H
10	50	9.5	35	28.2	60	45	6	46	20	5	15	51.6	44.5	34	14	96.1	80	8	4	2.5	4.5	15	20	12	7.5	13
20	65	12	50.8	28.6	76	60	8	61	28	9	17	56	57	43	18	113	101	9.7	6.5	2.5	6.6	19	25	15	9.2	17
30	70	12	52	33	84	65	8	67	32	9	22	59	62	46	18	121	110	10	4.5	3	6.5	20	28	16	9.5	17
50	80	15.5	62	37.5	100	75	10	77	35	10	26	85	73	55	20	158	131	12	5	2	7.5	25	35	18	11.5	20
70	92	17	70	46.7	110	88	10	90	46	16	22	86	81	55.5	35	167	141	12.5	5	4	9	28	38	19.5	11.5	22
100	102	14	82	50.3	130	98	12	100	56	19	24	94	92.5	60	35	186.5	163	14.5	6	4	12	33	42	24.5	13.5	27

Mark Model	J	JA	JB	JC	JD	K	NA	NB	NC	ND	P	Q	S	SD	SE	SF	U	WA	WB	WC	WD	WE	WF
10	6.8	11	6.5	M8x1.25	12	M8x1	11	6	12.5	3	M5x0.8	34	92	9	13	44	47	15	3	3.5	M5x0.8	8	32
20	8.6	14	8.5	M10x1.5	15	M10x1	12.7	7.5	16.5	3	M5x0.8	37	117	10	12	59	54	20.5	4	5	M6x1.0	10	43
30	8.6	14	8.5	M10x1.5	15	M10x1	12.7	8.5	16.5	3	RC 1/8	40	127	11.5	14	64	57	23	4	4.5	M6x1.0	10	48
50	10.5	17	10.5	M12x1.75	18	M14x1.5	19	8.5	19.5	5	RC 1/8	46	152	14.5	15	74	66	26.5	5	5.5	M8x1.25	12	55
70	10.5	17	10.5	M12x1.75	18	M14x1.5	19	10	21.5	5	RC 1/8	53	170	14.5	24	78	75	32.5	5	5.5	M8x1.25	12.5	67
100	10.5	17	10.5	M12x1.75	18	M20x1.5	26	11.5	26	7	RC 1/8	59	189	16	27	89	86	37.5	6	6.5	M10x1.5	14.5	77

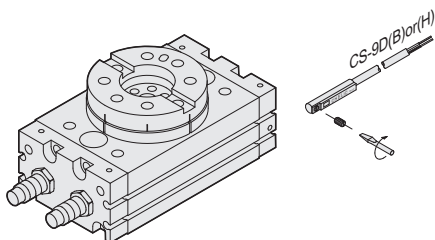
RTB/RTBM series Rotary Table

Sensor switch operating range and the setting

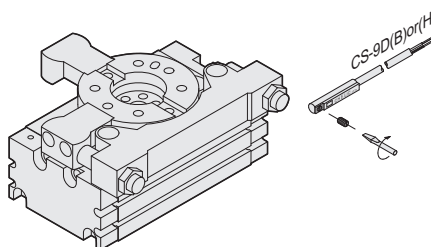
CHELIC

Sensor switch mounting type

RTB series



RTBM series



Sensing range

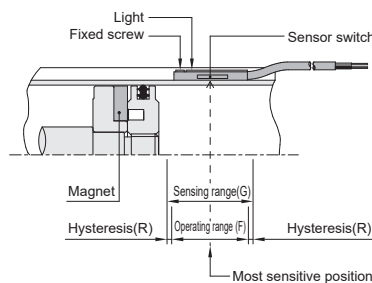
Sensor switch is fixed on the cylinder body. The magnetic piston head will activate the Sensor switch when it enters the operating range. It has 0.5mm differential.

Operating range

When piston head moves the switch setting and adjustment will be based on the responding range generated by the magnetic field and the switch. (Please refer to the below table)

Sensor switch setting and operating range

CS-9D, CS-9B, CS-9H, CS-9DN(P)

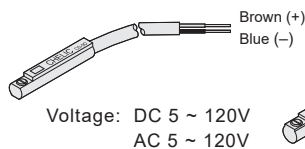


Unit: mm

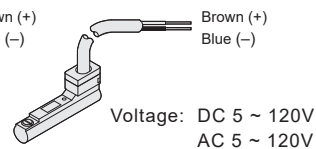
Model	Bore Size	CS-9D(B)(H), CS-9DN(P)	
		Operating range(F)	Hysteresis(R)
3	Ø10	7 (4)	1
7	Ø12	7 (4)	1
10	Ø15	7 (3)	1
20	Ø18	10 (7)	1
30	Ø20	12 (9)	1
50	Ø25	14 (12)	1
70	Ø28	14 (12)	1
100	Ø32	14 (12)	1
200	Ø40	14 (12)	1
300	Ø50	14 (12)	1
500	Ø63	14 (12)	1

Sensor switch introduction

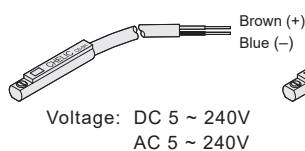
CS-9D



CS-9B



CS-9H



CS-9DN(P)

