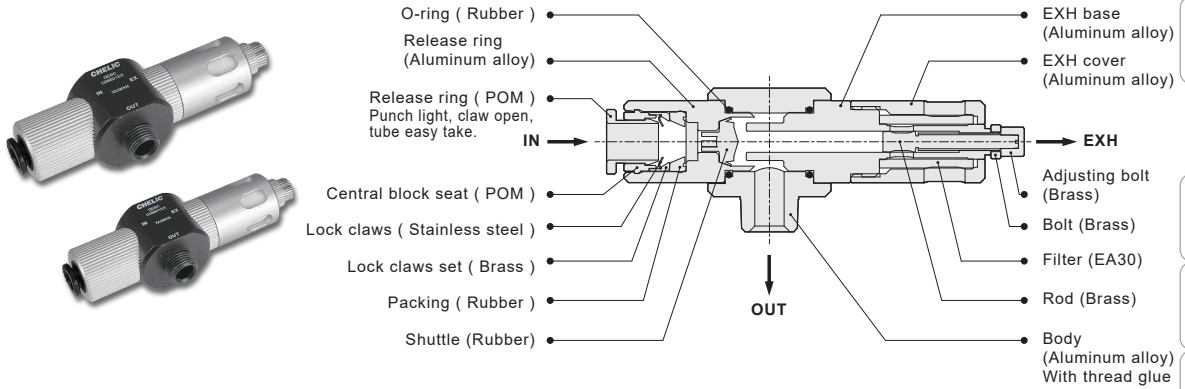


QEBC series Quick Exhaust Valve

Product features/ Code of order

CHELIC

Internal structure



MV

HVL

HVM

HVT

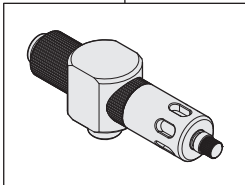
QE

FVA

Specification

Item	Model	QEBC 01		QEBC 02		QEBC 03		
Thread (OUT)	Rc	1/8		1/8	1/4	1/4	3/8	1/2
Port size (IN)		Ø4	Ø6	Ø6	Ø8	Ø10		Ø12
Port size (EX)		-		-		-		
Fluid		Air						
Pressure range	kgf/cm ² (kPa)	1.5~8 (150~800)						
Max. operating pressure	kgf/cm ² (kPa)	10 (1000)						
Ambient and fluid temperature	°C	5 ~ 60						
Min. operated pressure	kgf/cm ² (kPa)	0.5 (50)						
Thread glue		With thread glue						

Code of order

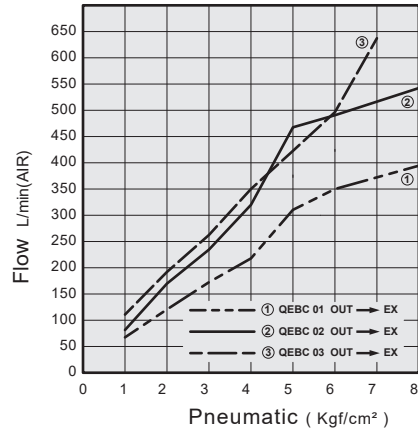
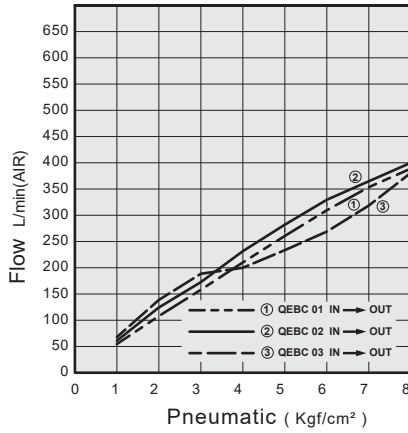
QEBC	-	01	-	01	-	04																																																																					
Quick exhaust valve		Effective orifice		Body		IN-Port size																																																																					
		<table border="1"> <thead> <tr> <th>Mark</th> <th>(mm²)</th> </tr> </thead> <tbody> <tr> <td>01</td> <td>08</td> </tr> <tr> <td>02</td> <td>16</td> </tr> <tr> <td>03</td> <td>30</td> </tr> </tbody> </table>	Mark	(mm ²)	01	08	02	16	03	30		<table border="1"> <thead> <tr> <th rowspan="2">Mark</th> <th rowspan="2">Thread</th> <th colspan="3">Model</th> </tr> <tr> <th>QEBC01</th> <th>QEBC02</th> <th>QEBC03</th> </tr> </thead> <tbody> <tr> <td>01</td> <td>1/8</td> <td>●</td> <td>●</td> <td>-</td> </tr> <tr> <td>02</td> <td>1/4</td> <td>-</td> <td>●</td> <td>●</td> </tr> <tr> <td>03</td> <td>3/8</td> <td>-</td> <td>-</td> <td>●</td> </tr> <tr> <td>04</td> <td>1/2</td> <td>-</td> <td>-</td> <td>●</td> </tr> </tbody> </table>	Mark	Thread	Model			QEBC01	QEBC02	QEBC03	01	1/8	●	●	-	02	1/4	-	●	●	03	3/8	-	-	●	04	1/2	-	-	●		<table border="1"> <thead> <tr> <th rowspan="2">Mark</th> <th rowspan="2">Size</th> <th colspan="3">Model</th> </tr> <tr> <th>QEBC01</th> <th>QEBC02</th> <th>QEBC03</th> </tr> </thead> <tbody> <tr> <td>04</td> <td>Ø4</td> <td>●</td> <td>-</td> <td>-</td> </tr> <tr> <td>06</td> <td>Ø6</td> <td>●</td> <td>●</td> <td>-</td> </tr> <tr> <td>08</td> <td>Ø8</td> <td>-</td> <td>●</td> <td>-</td> </tr> <tr> <td>10</td> <td>Ø10</td> <td>-</td> <td>-</td> <td>●</td> </tr> <tr> <td>12</td> <td>Ø12</td> <td>-</td> <td>-</td> <td>●</td> </tr> </tbody> </table>	Mark	Size	Model			QEBC01	QEBC02	QEBC03	04	Ø4	●	-	-	06	Ø6	●	●	-	08	Ø8	-	●	-	10	Ø10	-	-	●	12	Ø12	-	-	●
Mark	(mm ²)																																																																										
01	08																																																																										
02	16																																																																										
03	30																																																																										
Mark	Thread	Model																																																																									
		QEBC01	QEBC02	QEBC03																																																																							
01	1/8	●	●	-																																																																							
02	1/4	-	●	●																																																																							
03	3/8	-	-	●																																																																							
04	1/2	-	-	●																																																																							
Mark	Size	Model																																																																									
		QEBC01	QEBC02	QEBC03																																																																							
04	Ø4	●	-	-																																																																							
06	Ø6	●	●	-																																																																							
08	Ø8	-	●	-																																																																							
10	Ø10	-	-	●																																																																							
12	Ø12	-	-	●																																																																							

QEBC series Quick Exhaust Valve

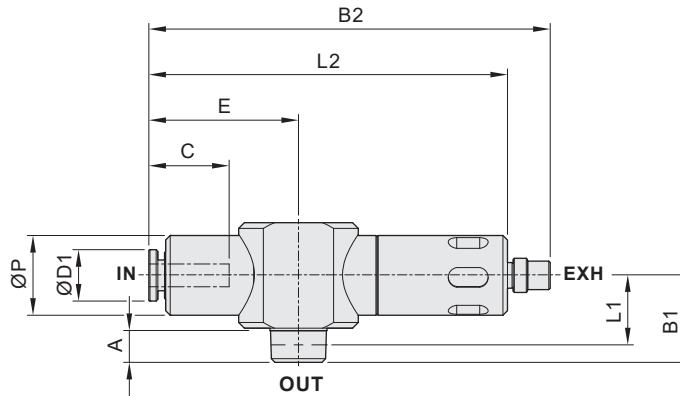
Characteristics graph/ Dimensions

CHELIC

Flow rate characteristic graph



QEBC series



Port size ØD	Thread Rc	Model	A	B1	B2	C	E	L1	L2	P	Effective orifice		Weight (g)
											IN → OUT	OUT → EX	
Ø4	1/8	QEBC 01-01-04	5.5	15	70	14.5	26	12	63	14	5	9	28
Ø6		QEBC 01-01-06			72.1	17.1	28		64		6		27
Ø6		QEBC 02-01-06	5.5	15	81	17.1	33	13	72	18	10	17	47
Ø8	QEBC 02-01-08	8	18	81	17.1	14		48					
Ø6	1/4	QEBC 02-02-06	5.5	15	82	18.6	34	13	73	18	14	17	49
Ø8		QEBC 02-02-08	8	18	82	18.6		14			50		
Ø10		QEBC 03-02-10	8	22	104	20.9	37	17	95	22	23	33	95
Ø12	QEBC 03-02-12	8	22	104	20.9	18		96					
Ø10	3/8	QEBC 03-03-10	10	24	104	20.9	37	19	95	22	28	38	98
Ø12		QEBC 03-03-12	8	22	108	23.7		17			94		
Ø10		1/2	QEBC 03-04-10	8	22	108	23.7	40	18	98	22	26	36
Ø12	QEBC 03-04-12		10	24	108	23.7	19		98			28	37