

Air unit

F.R.L modular - Pressure switch with display PSN - 30D (Spacer included)

CHELIC

● PN-300D



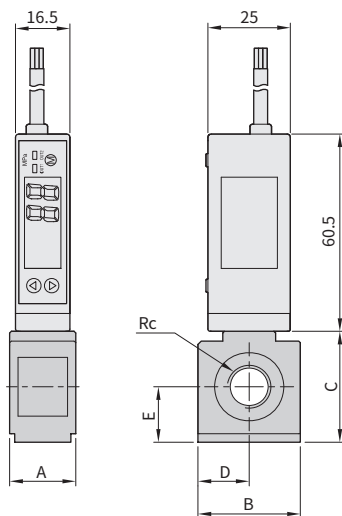
● Installation



► Specification

Item	Model	PN-300D-20	PN-300D-30	PN-300D-40	PN-300D-45	PN-300D-50
Fluid		Air				
Pressure range	kgf/cm ²	0~10 (Positive pressure)				
Temperature characteristic		±2% F.S. (Surrounding temperature: 0 ~ 50°C)				
Power supply voltage		12 to 24VDC ±10%, Ripple (P-P) 10% or less				
Applicable model		N200 series	N300 series	N400 series	N450 series	N500 series
Pressure switch		PSN-30				

► External dimensions



► Code of order

PN - 300D —
 ● Spacer and PSN 30 included

30 — 02 — 01

Model — Port size — Output type

Mark	Series	Mark Size	01	02	03	04	06	10
20	N200	1/8						
30	N300	1/4	●	●				
40	N400	3/8	●	●	●			
45	N450	1/2			●	●		
50	N500	3/4				●	●	
		1					●	●

01: 2 NPN output & 1 Analog output
 02: 2 NPN output
 03: 2 PNP output & 1 Analog output
 04: 2 PNP output

Model	Port size	Rc	A	B	C	D	E
N200	01	1/8	16	28	30	14	11
	02	1/4					
N300	02	1/4	20	31	36	15.5	19
	03	3/8					
N400	02	1/4	24	34	45.5	17	23.5
	03	3/8					
	04	1/2					
N450	04	1/2	28	44	39	22	17.5
	06	3/4					
N500	06	3/4	32	54	58.2	27	33.2
	10	1					