

NL series Lubricator

Product features/ Characteristics graph

CHELIC



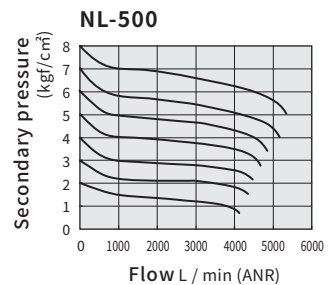
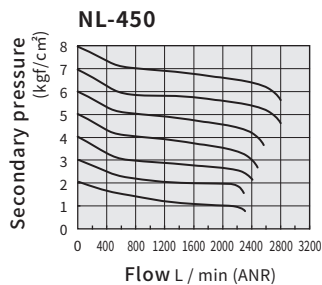
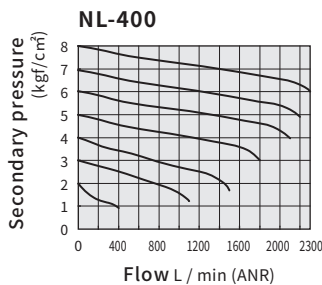
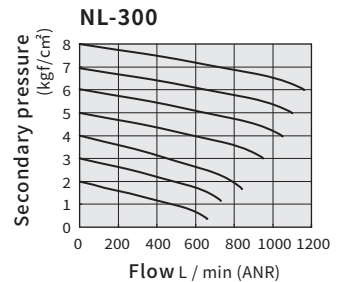
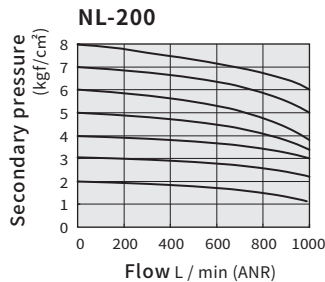
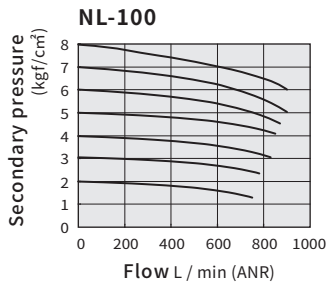
Symbol:



Specification

Item	Model	NL-100	NL-200	NL-300	NL-400	NL-450	NL-500
Fluid		Air					
Port size	Rc	M5, 1/8	1/8, 1/4	1/4, 3/8	1/4, 3/8, 1/2	1/2, 3/4	3/4, 1
Pressure range	kgf/cm ² (kPa)	0.5 ~ 8.5 (50 ~ 850)					
Max. service pressure	kgf/cm ² (kPa)	9.5 (950)					
Temperature	°C	5 ~ 60					
Lubricator capacity	cc	9	25	50	60	100	100
Recommended lubrication		First class or lubricant (IOS-VG32 lubricant only (and equivalent))					
Weight	kg	0.18	0.21	0.34	0.45	1.00	1.15
Material	Main body	Aluminum die cast					
	Bowl	Relieving type					

Flow rate characteristic graph



NC

NFC

PSN-10
30,41

NFR

MFR

MFRD

NF

MF

MFD

NR

ARX

NPR

NL

N

DM

ERX

ERP

PG/AFB
NDV/AD

NL series Lubricator

Code of order

CHELIC

Code of order

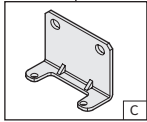
NL - 300 –
 03 –
 G –
 BG –
 C

Model ①
 Port size ②
 Thread type ③
 Bowl type ④
 Bracket ⑤

Model	Port size							
	Mark	M5	01	02	03	04	06	10
	Port size	M5	1/8	1/4	3/8	1/2	3/4	1
NL - 100	Port connection	●	●					
NL - 200			●	●				
NL - 300				●	●			
NL - 400				●	●	●		
NL - 450						●	●	
NL - 500							●	●

Thread type			
None	G	N	
M5	RC	G	NPT
●	●	●	●
●	●	●	●
●	●	●	●
●	●	●	●
●	●	●	●

Bowl type	
None	Other bowl type
PC (Short bowl)	—
PC (Short bowl)	Option
Bowl guard (Short bowl)	Option
Bowl guard (Standard)	Option
Bowl guard (Standard)	Option
Bowl guard (Standard)	Option



None: Without bracket
C: With bracket (Option)

※ Please see the below table in detail.

Bowl type ← ④

Bowl type \ Model	NL - 100	NL - 200	NL - 300	NL - 400	NL - 450	NL - 500
PC (standard)	●	●	●	●	●	●
Bowl guard (standard)	—	● (option)	●	●	●	●
PC (Long bowl)	—	● (option)	● (option)	—	—	—
Bowl guard (Long bowl)	—	● (option)	● (option)	—	—	—
Metal (Long bowl)	—	● (option)	● (option)	● (option)	● (option)	● (option)

🔍 Note: (standard): Standard accessory; (option): Optional accessory.

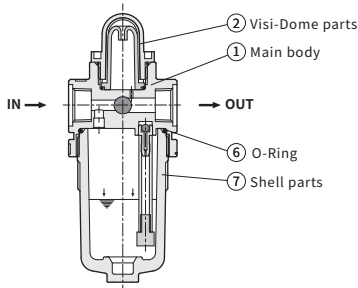
NL series Lubricator

Product features

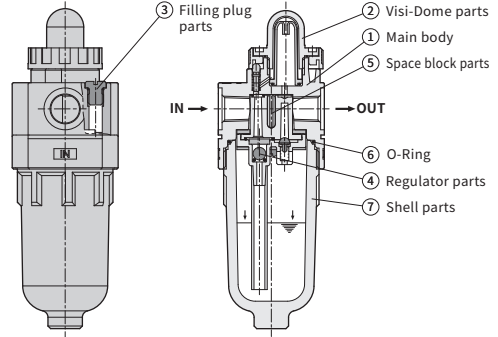
CHELIC

Internal structure

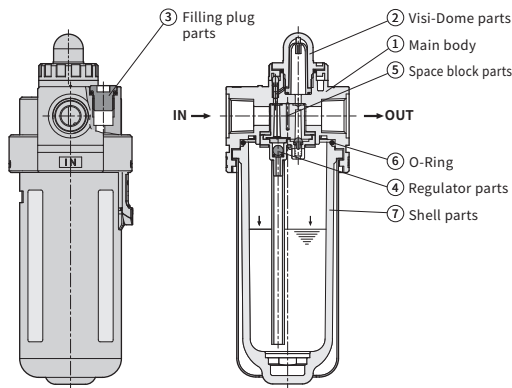
NL-100



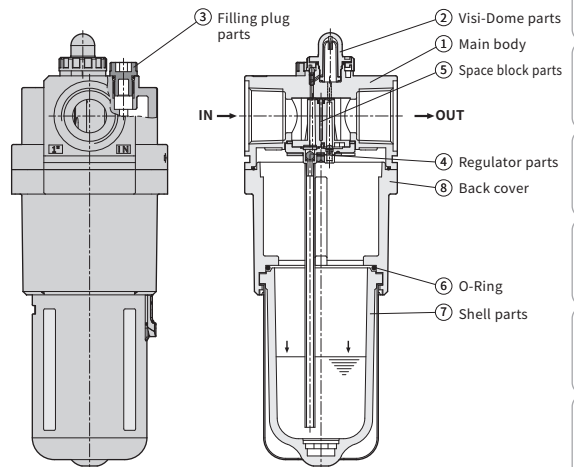
NL-200



NL-300, 400, 450



NL-500



Component

Number	Parts name	Material		Note
		NL100, NL200, NL300, NL400, NL450	NL500	
1	Main body	Aluminum alloy		
8	Back cover	—	Aluminum alloy	

Replacement parts

Number	Parts name	Material						Note
		NL100	NL200	NL300	NL400	NL450	NL500	
2	Visi-Dome parts	PC						
3	Filling plug parts	—	Copper			POM		
4	Regulator parts	POM						
5	Space block parts	POM						
6	O-Ring	NBR						
7	Shell parts	PC	PC	PC+SS41				

Note: NL200 are included bowl guard (Material: Aluminum alloy)
The shell parts of NL300~NL500 are included bowl guard (Material: SS41).

NC

NFC

PSN-10
30,41

NFR

MFR

MFRD

NF

MF

MFD

NR

ARX

NPR

NL

N

DM

ERX

ERP

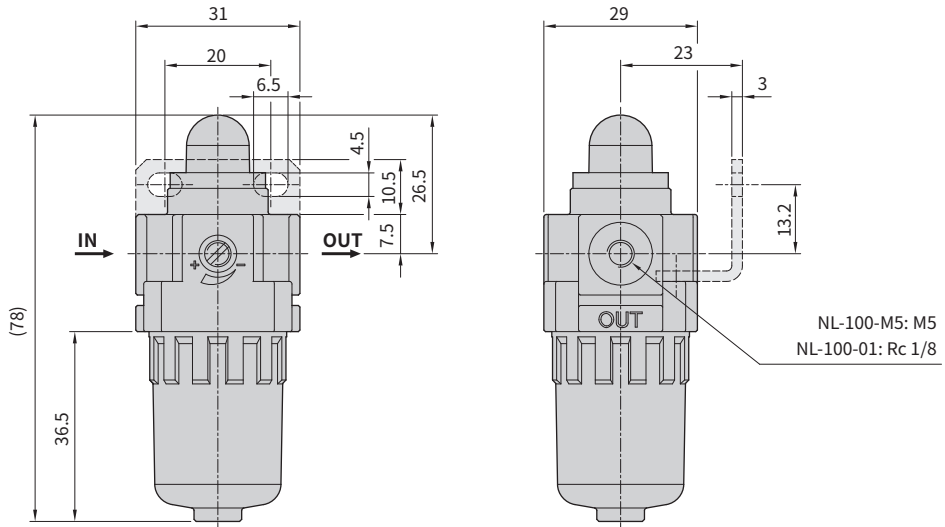
PG/AFB
NDV/AD

NL series Lubricator

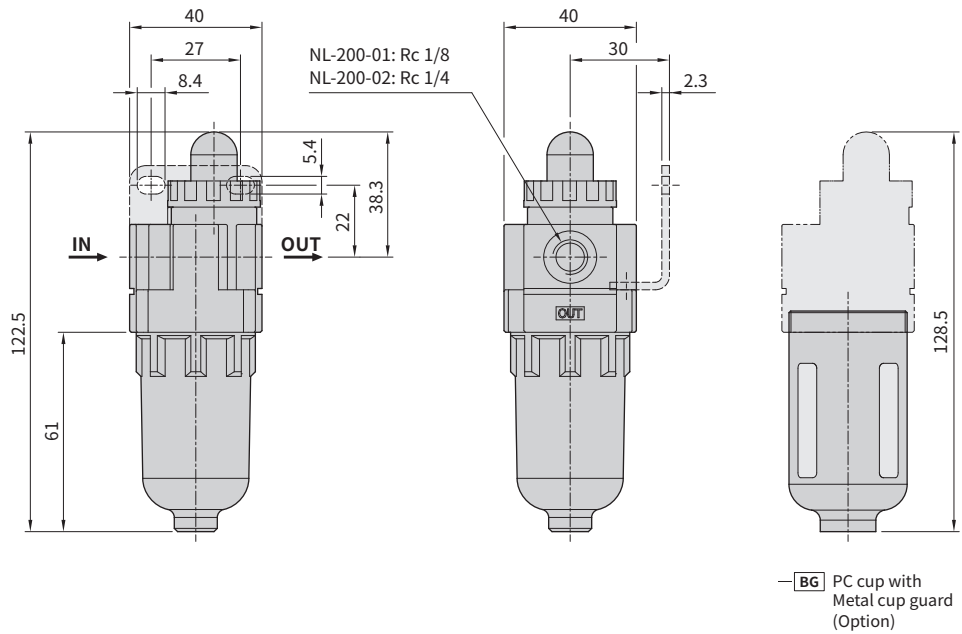
Dimensions

CHELIC

NL - 100 - Standard



NL - 200 - Standard

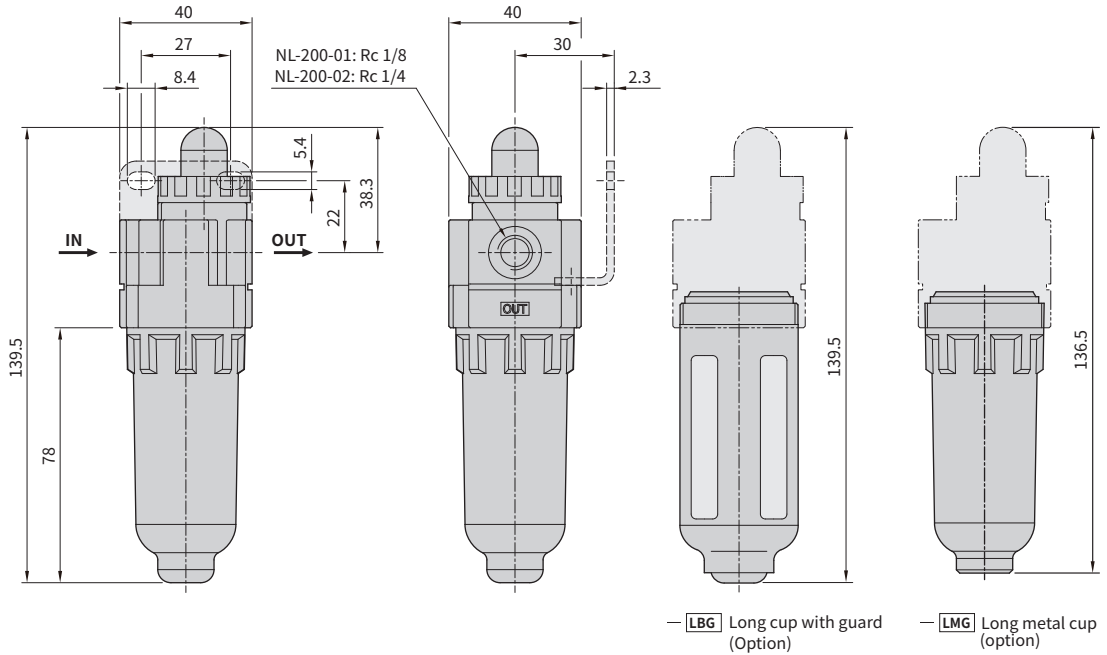


NL series Lubricator

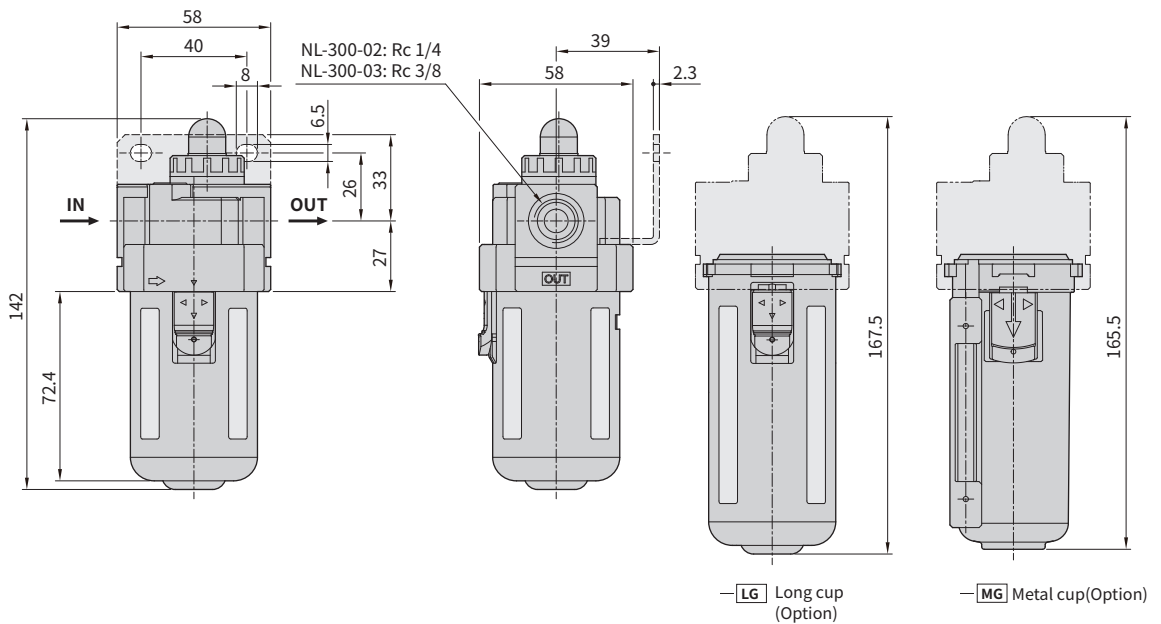
Dimensions

CHELIC

NL - 200 - LG Long bowl



NL - 300 - Standard



NC

NFC

PSN-10
30,41

NFR

MFR

MFRD

NF

MF

MFD

NR

ARX

NPR

NL

N

DM

ERX

ERP

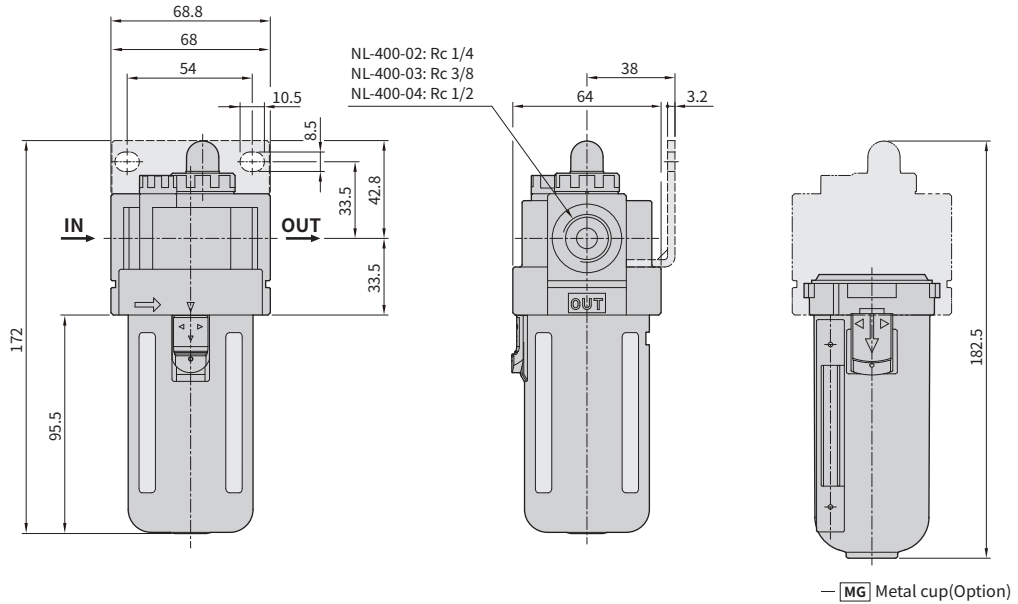
PG/AFB
NDV/AD

NL series Lubricator

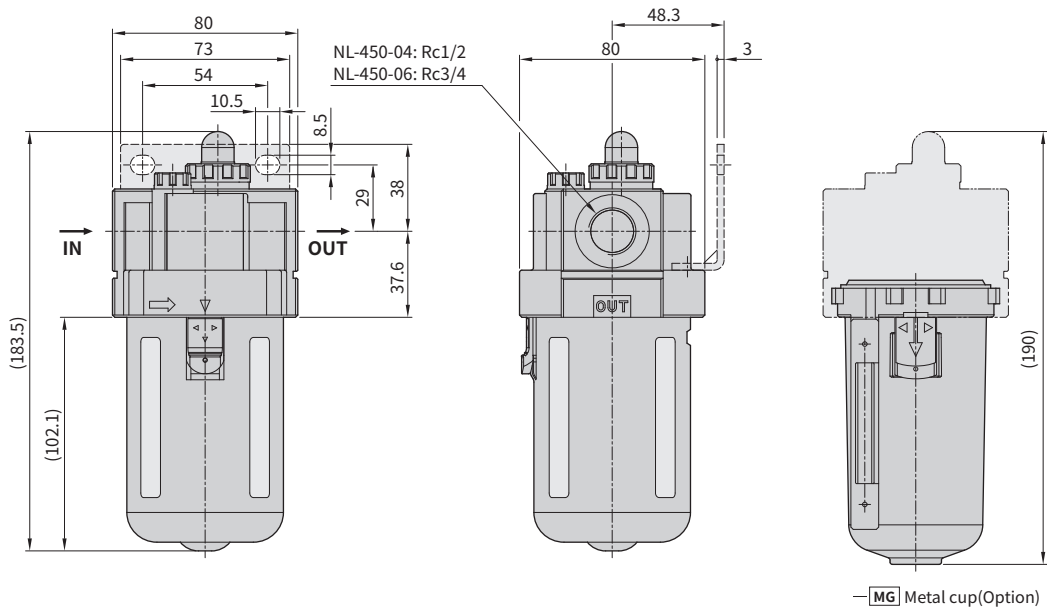
Dimensions

CHELIC

NL - 400 - Standard



NL - 450 - Standard

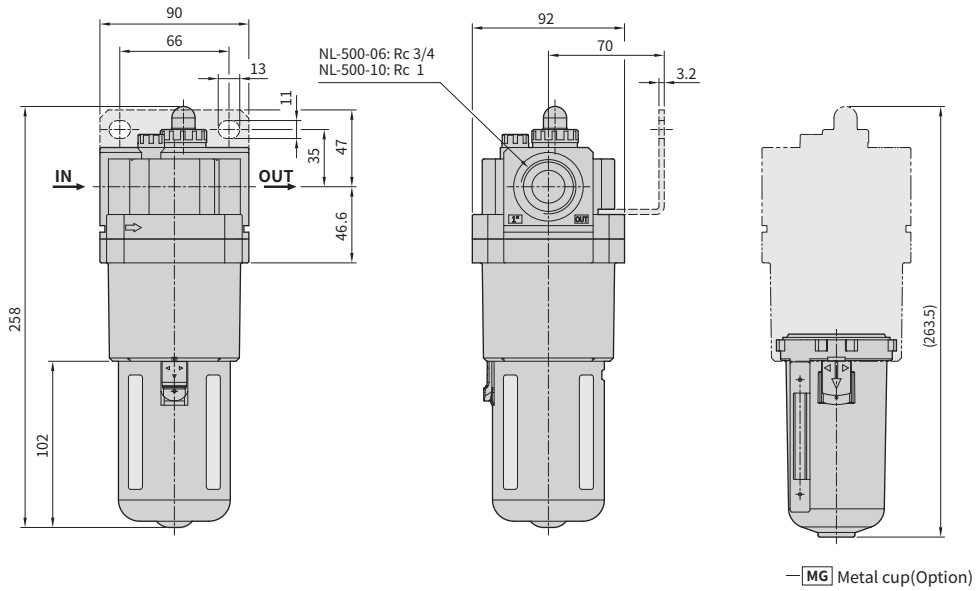


NL series Lubricator

Dimensions

CHELIC

NL - 500 - Standard



NC

NFC

PSN-10
30,41

NFR

MFR

MFRD

NF

MF

MFD

NR

ARX

NPR

NL

N

DM

ERX

ERP

PG/AFB
NDV/AD