

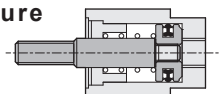
# NA2 series Cartridge Cylinder

## Product features

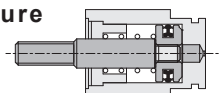
CHELIC



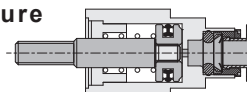
### NA2B Internal structure



### NA2S Internal structure



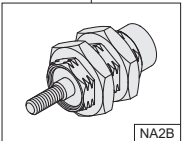
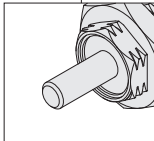
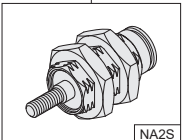
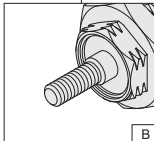
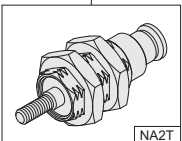
### NA2T Internal structure



## Specification

Item	Bore size (mm)	Ø6	Ø10	Ø12	Ø16
Standard stroke	mm	5,10,15			
Action		Single acting			
Fluid		Air			
Pressure range	Kgf/cm <sup>2</sup> (kPa)	1.5 ~ 6 ( 150 ~ 600 )			
Max. service pressure	Kgf/cm <sup>2</sup> (kPa)	7 (700)			
Ambient and fluid temperature	°C	0 ~ 60			
Operated speed	mm/s	50 ~ 500			

## Code of order

<b>NA2B</b>	<b>16</b>	×	<b>10</b>	-	<b>B</b>
Model	Bore size		Stroke		Rod end type
	6 - Ø6 mm 10 - Ø10 mm 12 - Ø12 mm 16 - Ø16 mm		5 - 5 mm 10 - 10 mm 15 - 15 mm		
NA2B: Standard					None: Round bar type
					
NA2S: Embedded type					B: Male thread
					
NA2T: With fitting type					

NA

NA2

NB

NU

ND

NQ

MSI

JQ

JD

JG

JTD

JTF

JCB

JCF

JE

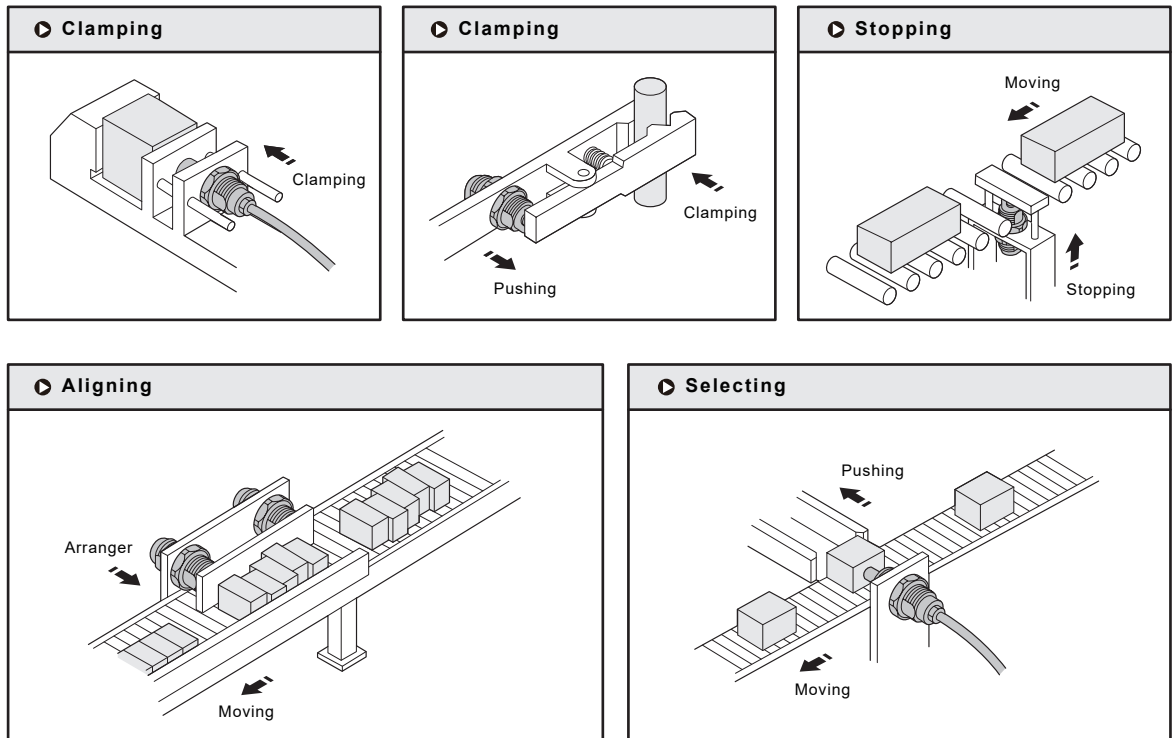
JM

# NA2 series Cartridge Cylinder

## Product features

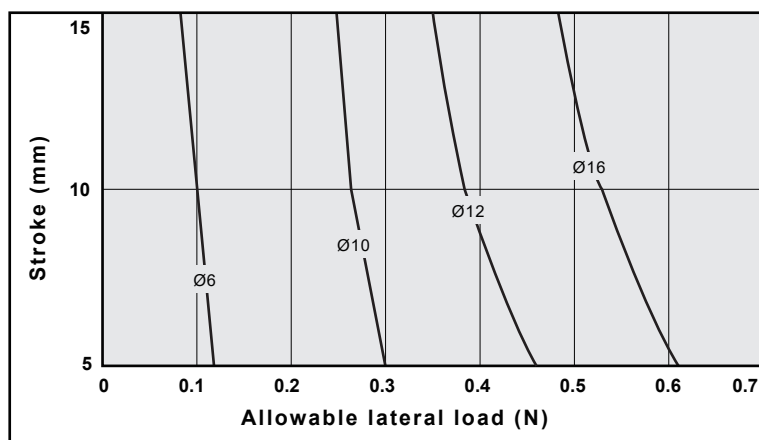
CHELIC

### Application



### Allowable lateral load

- Please strictly observe the limiting range of lateral load on a piston rod. If this product is used beyond the limits, it may shorten the life of machine or cause damage.



# NA2 series Cartridge Cylinder

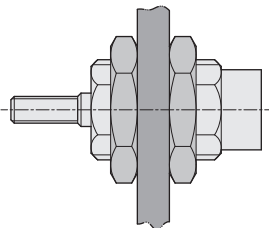
## Installation

CHELIC

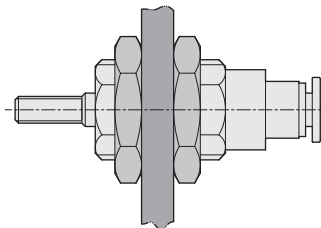
### Mounting type

#### Panel type

##### NA2B



##### NA2T



- The fitting is excluded in NA2B. NA2T has fitting included and allowed tubing inserting directly.

#### NA2B Series

Fitting model recommended

Bore size	Fitting model
6	MSQC 4-M5
10	
12	
16	MSQC 4-M5 MSQC 6-M5

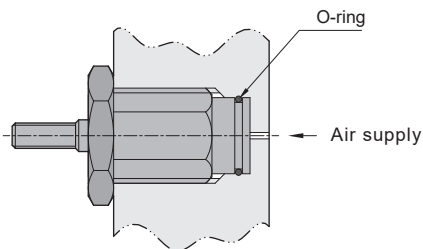
#### NA2T

PU tube size

Bore size	PU tube model
6	PU0425
10	
12	
16	PU0640

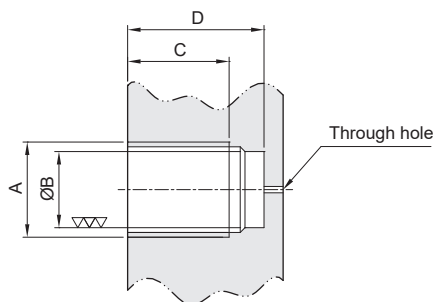
### Embedded type

#### NA2S



#### O-Ring specification

Bore size (mm)	O-ring specification
6	Ø6 × Ø1
10	Ø10 × Ø1
12	Ø13.2 × Ø1.5
16	Ø15.7 × Ø1.7



#### Dimension for mounting hole of cylinder

Bore size (mm)	A	B	C			D		
			5	10	15	5	10	15
6	M10×1.0P	8.5	10	17	24	16	23	30
10	M15×1.5P	12	11	17.5	24.5	17	23.5	30.5
12	M18×1.5P	16	10.5	15.5	20.5	17.5	22.5	27.5
16	M22×1.5P	19	12	18	24.5	19	25	31.5

NA

NA2

NB

NU

ND

NQ

MSI

JQ

JD

JG

JTD

JTF

JCB

JCF

JE

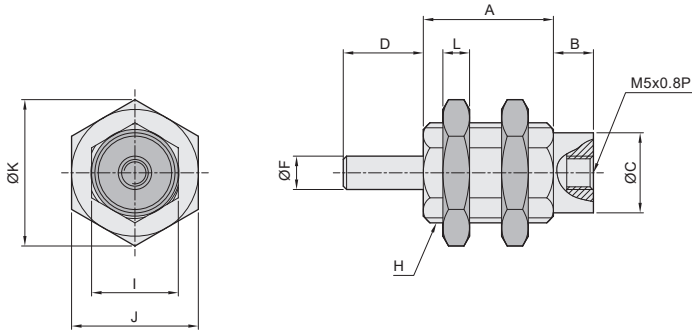
JM

# NA2 series Cartridge Cylinder

## Dimensions

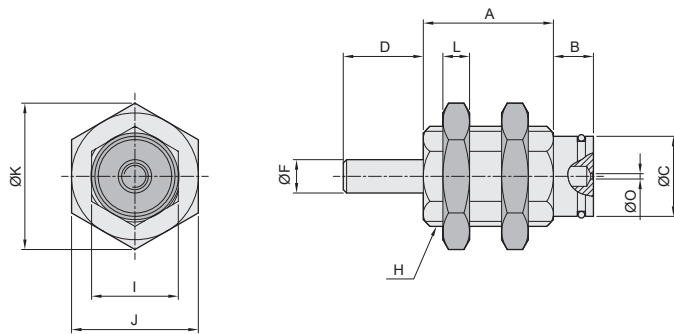
CHELIC

### NA2B Ø6 ~ Ø16



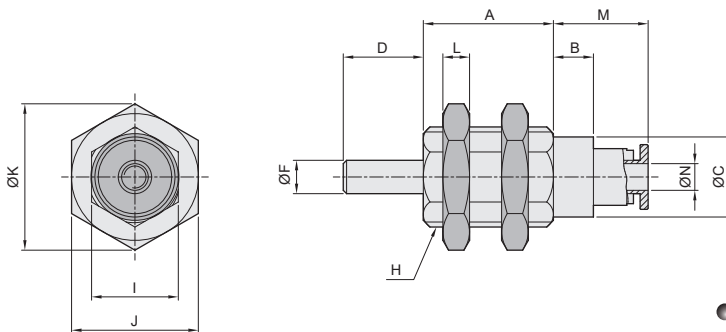
● Dimension of male thread - **B**

### NA2S Ø6 ~ Ø16



● Dimension of male thread - **B**

### NA2T Ø6 ~ Ø16



● Dimension of male thread - **B**

Bore size (mm)	A			B	C	D	E	F	G	H	I	J	K	L	M	N	O
	5	10	15														
6	12.5	19.5	26.5	6	8.5	9	7	3	M3x0.5P	M10x1.0P	9	13	13.6	3	14.2	4	0.8
10	14.5	21	28	6	12	12	10	5	M4x0.7P	M15x1.5P	13	19	21.5	4	14.2	4	0.8
12	15	20	25	7	16	12	10	6	M5x0.8P	M18x1.5P	16	24	26	5	15.5	4	1
16	16.5	22.5	29	7	19	14	12	6	M5x0.8P	M22x1.5P	20	27	31	5	16.1	6	1