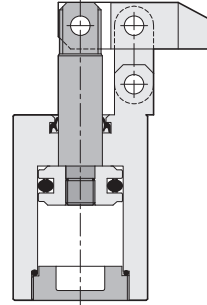


# HUK series Hydraulic Lever Clamp Cylinder

Product features/ Code of order

CHELIC

## Internal structure



## Specification

Item	Bore size (mm)	Ø25	Ø32	Ø40	Ø50	Ø63
Piston rod size	mm	Ø18	Ø20	Ø22.4	Ø28	Ø35
Standard stroke	mm	25	25	30	35	40
Action		Double acting				
Fluid		Clean oil ( ISO - VG68 )				
Max. operating pressure	kgf/cm <sup>2</sup> (kPa)	70 (7000)				
Pressure range	kgf/cm <sup>2</sup> (kPa)	5 ~ 50 ( 500 ~ 5000 )				
Theoretical clip force	N	1296	2123	3063	4531	6471

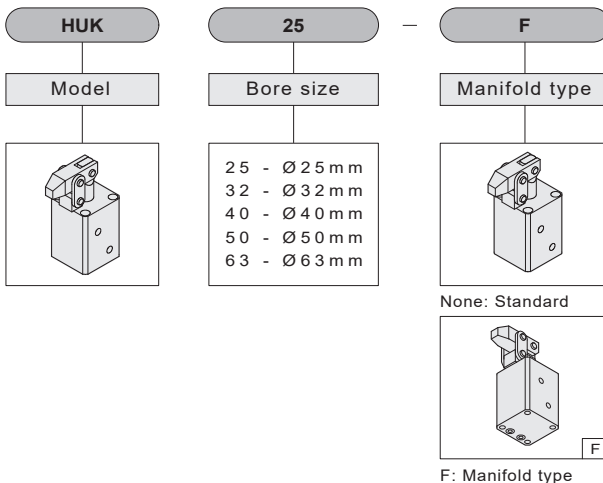
Note: Theoretical clip force = the operating pressure is 30kgf/cm<sup>2</sup>.

## Product weight

Unit: kg

Bore size	Ø25	Ø32	Ø40	Ø50	Ø63
Weight	1.9	2.1	3.3	4.4	8.3

## Code of order



SCR(L)

HER

HGR(L)

HSR(L)

HBR(L)

HFR(L)

HFK

HCK

HLK

HUR(L)

HUK

HN

HS

HCF

HCS

HCQ

# HUK series Hydraulic Lever Clamp Cylinder

## Dimension

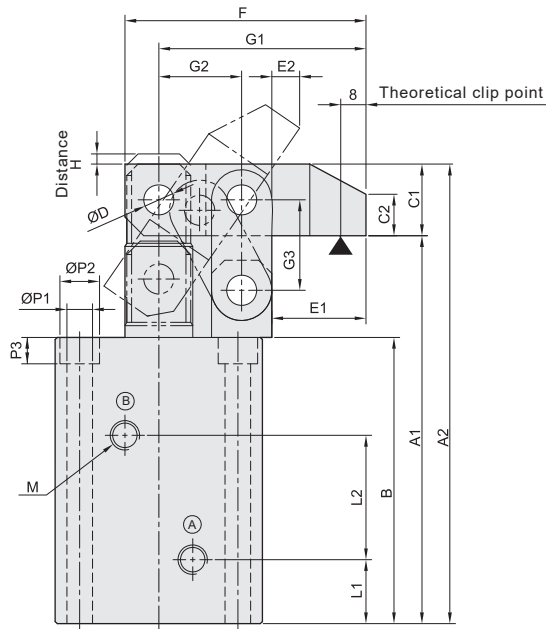
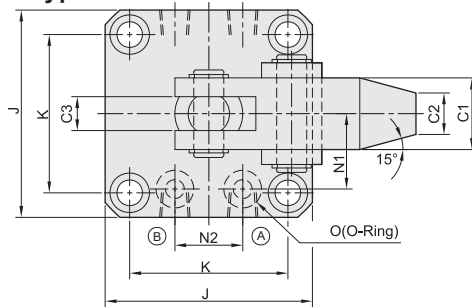
CHELIC

● HUK Ø25 ~ Ø63

● HUK - **F** : Manifold block type



- (A) Clamp port
- (B) Release port



Bore size	A1	A2	B	C1	C2	C3	D	E1	E2	F	G1	G2	G3
Ø25	103	122	76	19	11	9	8	25	5	64	55	22	24
Ø32	112	131	85	19	11	9	8	25	5	64	55	22	24
Ø40	122	144.2	90	22.2	13	10	10	30	5.5	77	66	26	29
Ø50	137	162.4	100	25.4	15	11	12	35.5	6.5	90	77	30	33
Ø63	156	187.8	111	31.8	19	15	15	45	12.8	112	96	36	39

Bore size	H	J	K	L1	L2	M	N1	N2	O	P1	P2	P3
Ø25	3	55	42	17	33	PT 1/8	20	18	P7	6.8	10.5	7
Ø32	3	57	44	19	38	PT 1/8	22	22	P7	6.8	10.5	7
Ø40	4	69	52	19	40	PT 1/4	26	26	P8	9	14	9
Ø50	5	75	58	21.5	45	PT 1/4	30	32	P8	9	14	9
Ø63	4	96	75	21.5	53	PT 1/4	38	38	P9	11	18	11