

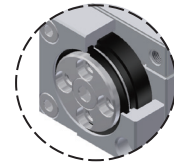
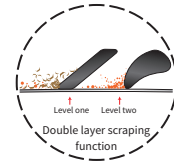
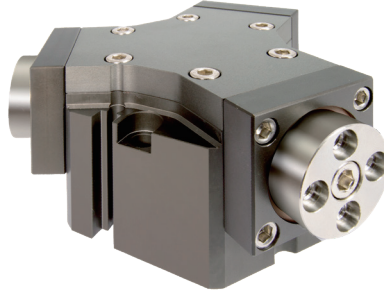
# HMT series Three-sided Force Air Gripper

Product features/ Code of order

CHELIC

## Feature

- Wedge slider type
- Prevent dust and chip
- Lateral force



## Specification

Item	Bore size (mm)	Ø55	Ø70	
Action		Double acting		
Fluid		Air		
Pressure range	kgf / cm <sup>2</sup> (kPa)	2 ~ 8 ( 200 ~ 800 )		
Ambient and fluid temperature	°C	5 ~ 80		
Lubrication		Lubrication free type		
Gripping force	Close	N	731	1195
	Open	N	810	1306
Stroke per jaw	mm	8		10
Port size		M5X0.8P		PT1/8
Recommend workpiece weight	kg	4.1		6.6
Open/ Close time	s	0.07		0.13
Repeatability	mm			±0.01
Sensing device				With magnet

Note: The gripping force is the force of open and close gripper, the acting pressure is 5 kgf/cm<sup>2</sup>.

## Code of order **HMT 55 - 8G 2**

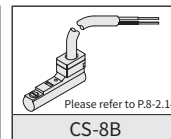
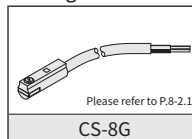
1 — 2 — 3

1	Mark	Bore size (mm)
	55	Ø55
	70	Ø70

2	Mark	Sensor switch
	None	Without sensor switch
	8G	CS-8G
	8B	CS-8B

3	Mark	Sensor quantity
	1	With 1 sensor switch
	2	With 2 sensor switches

### Image



HDQ

HDQT

HDQM

HMQ

HMT

HDL

HDT

HDF

RM

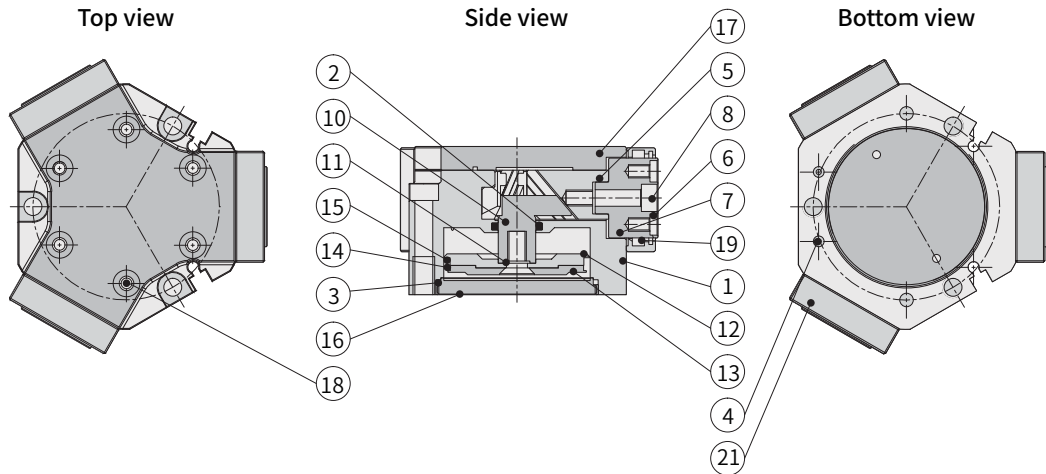
RB

# HMT series Three-sided Force Air Gripper

## Product features

CHELIC

### Internal structure



### Components and material list

No.	Item	Material	No.	Item	Material
01	Body	Aluminum alloy	12	Piston	Aluminum alloy
02	Shaft packing	NBR	13	Magnetic cap	Aluminum alloy
03	O-ring	NBR	14	Magnet	Rare earth material
04	Set screw	Alloy steel	15	X-ring	NBR
05	Finger	Stainless steel	16	Rear cover	Aluminum alloy
06	Centering sleeve	Carbon steel	17	Top cover	Aluminum alloy
07	Connector	Stainless steel	18	Screw	Alloy steel
08	Screw	Alloy steel	19	Dust-proof packing	NBR
09	Pin	Alloy steel	20	Screw	Alloy steel
10	Sliding rod	Alloy steel	21	Side cap	Aluminum alloy
11	O-ring	NBR			

### Packing and O-ring material list

Unit: mm

Item	X-ring	Shaft packing	03 O-ring	11 O-ring	Dust-proof packing
Model \ Quantity	1	1	1	1	1
HMT Ø55	48.9x54.14x2.62	13.95x19.19x2.62	Ø56.87 x Ø1.78	Ø8 x Ø1	SER30
HMT Ø70	63.1x70.16x3.53	MY-16A	Ø72.75 x Ø1.78	Ø10 x Ø1	SER32

### Product weight

Model	Weight (kg)
HMT Ø55	1.15
HMT Ø70	1.99

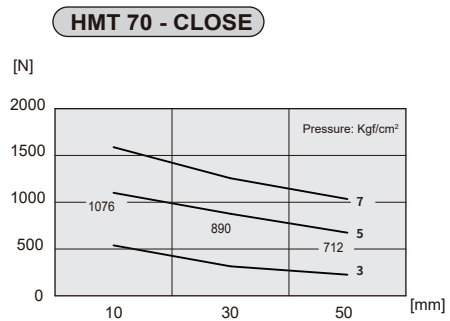
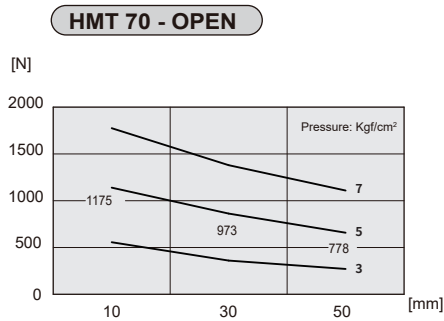
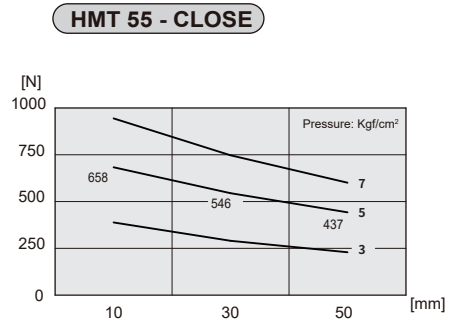
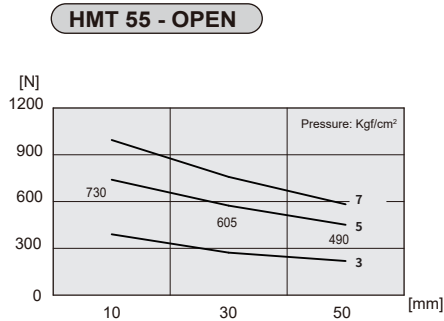
Note: All of above are theoretical data. Weight tolerance about ±5%

# HMT series Three-sided Force Air Gripper

Characteristics graph, Operating type and data, Mounting type

CHELIC

## Characteristics graph



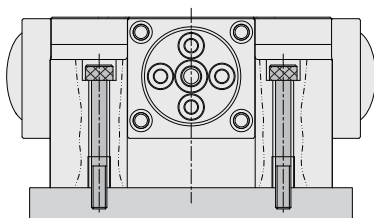
## Operating type and data

Action	Model	Bore size (mm)	The smallest operating pressure (kgf/cm <sup>2</sup> )	Thread port (mm)	Effective gripping force (N)	
Double acting	HMG 55	55	2	12-M5x0.8Px6dp	Open	810
					Close	731
	HMG 70	70	2	12-M5x0.8Px8dp	Open	1306
					Close	1195

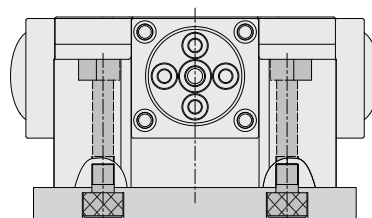
Note: The gripping force is the force of open and close gripper, the acting pressure is 0.5Mpa

## Mounting type

1. Apply the screw to through-holes of body



2. Apply the screw from bottom thread hole



HDQ

HDQT

HDQM

HMQ

HMT

HDL

HDT

HDF

RM

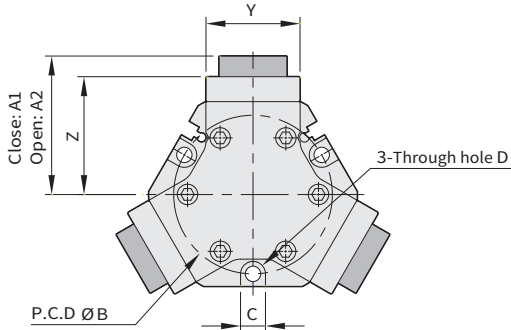
RB

# HMT series Three-sided Force Air Gripper

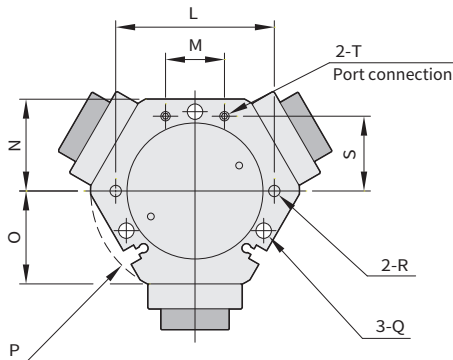
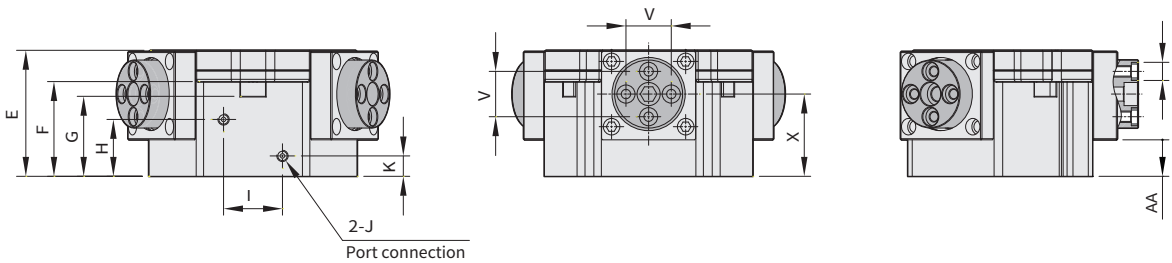
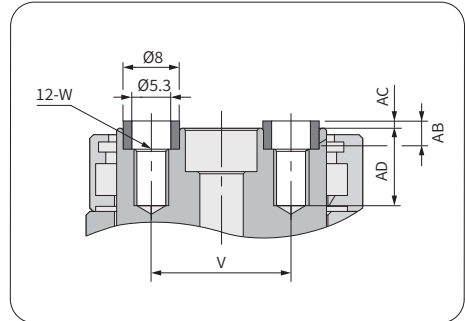
## Dimensions

CHELIC

### Dimensions



### Close-up of centering sleeve



Unit: mm

Mark	Y	Z	AA	AB	AC	AD
HMT 55	41.5	52	16.1	5	2	6
HMT 70	49.6	64.3	21.5	5	2.5	8

Unit: mm

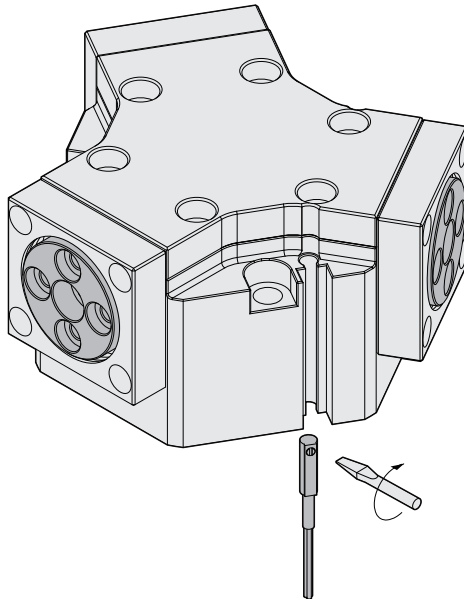
Mark	A1	A2	B	C	D	E	F	G	H	I	J	K	L	M	N	O	P	Q	R	S	T	V	W	X
HMT 55	53	61	70	11	Ø6.8	55.6	41.8	35.3	25.1	26	M5	9	70	26	40.5	41	R46	M8	5x16dp	33	M5	20	M5x0.8Px6dp	36.3
HMT 70	65	75	90	11	Ø6.8	66.6	47.5	41	29.5	30	PT1/8	10	90	30	50.5	51.3	R57	M8	5x16dp	40	M5	22.5	M5x0.8Px8dp	45.8

# HMT series Three-sided Force Air Gripper

## Mounting type and operation of sensor switch

CHELIC

### ■ Sensor switch mounting type

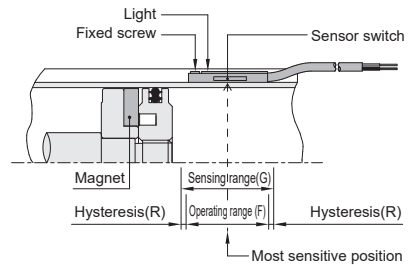


CS-8B/CS-8G

### ■ Sensing range

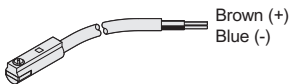
Sensor switch is fixed on the cylinder body. The magnetic piston head will activate the sensor switch when it enters the operating range. It has 0.5mm differential.

### ■ Sensor switch setting and operating range

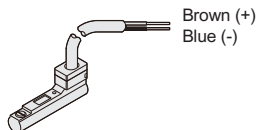


### ■ Sensor switch introduction

#### ● CS-8G



#### ● CS-8B



Voltage: DC 5~30V

HDQ

HDQT

HDQM

HMQ

HMT

HDL

HDT

HDF

RM

RB