

# DM series - Large-sized filter

## Product features

CHELIC



Symbol:



### Specification

Item	Model	DM □ - 200	DM □ - 300			DM □ - 500		DM □ - 800			
Fluid		Air									
Port size	Rc	1/4	3/8	3/8	1/2	3/4	1/2	3/4	1	1 1/2	
Max. flow	L/min(ANR)	1600	1600	1600	2500	3000	2500	3500	6000	8000	12000
Pressure range	kgf/cm <sup>2</sup> (kPa)	2~10 ( 200~1000 )									
Max. service pressure	kgf/cm <sup>2</sup> (kPa)	15 ( 1500 )									
Ambient and fluid temperature	°C	5~60									
Weight	kg	0.84		0.84		1.62		4.3			

### Code of order

**DM** - **W** - **300** - **06** - **G** - **A** - **PG 10S** - **Bracket**

Model ①    Filter type ②    Body size ③    Port size ④    Thread type ⑤    Drain cock type    Pressure gauge ⑥    Bracket ⑦

Large - sized filter

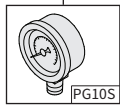
**W:** Water drop removal ratio 99%  
**F:** Main line filter 3μm  
**M:** Secondary filter 0.3 μm  
**D:** First filter 0.01 μm

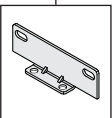
**Body size**  
 200  
 300  
 500  
 800

Port connection	Port size					
	Code 02	03	04	06	10	12
1/4	●	●	●	●	●	●
3/8	●	●	●	●	●	●
1/2	●	●	●	●	●	●
3/4	●	●	●	●	●	●
1	●	●	●	●	●	●
1 1/2	●	●	●	●	●	●

**Thread type**  
 None G N  
 Rc G NPT

**Drain cock type**  
 [A]: Auto drain

**Pressure gauge ⑥**  
  
 ■ None : Without pressure gauge  
 [PG10S]: With pressure gauge (2 pcs per set)  
 ※ DM200: [PG10S]  
 ※ DM300: [PG10S]  
 ※ DM500: [PG10S]  
 ※ DM800: [PG20S]

**Bracket ⑦**  
  
 ■ None : Without bracket (standard)  
 [C]: With bracket (option)

### Pressure gauge - ⑥

Pressure gauge		DM □ - 200	DM □ - 300	DM □ - 500	DM □ - 800
Model	Order code				
PG-10S	P10S	● (option)	● (option)	● (option)	—
PG-20S	P20S	—	—	—	● (option)

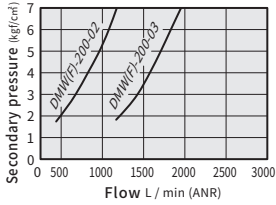
# DM series - Large-sized filter

## Product features

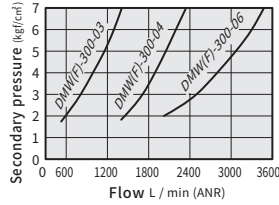
CHELIC

### Flow rate characteristic graph

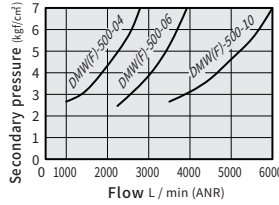
DMW(F)-200-A



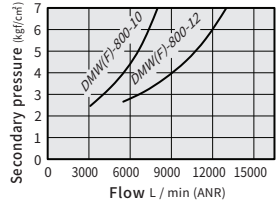
DMW(F)-300-A



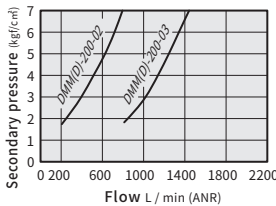
DMW(F)-500-A



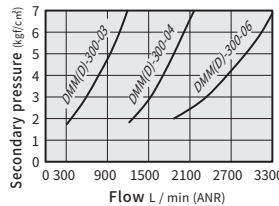
DMW(F)-800-A



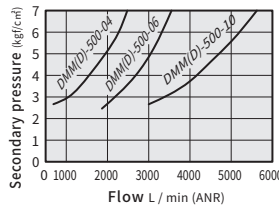
DMM(D)-200-A



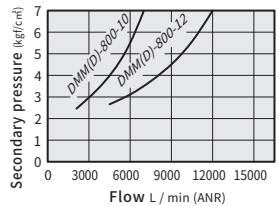
DMM(D)-300-A



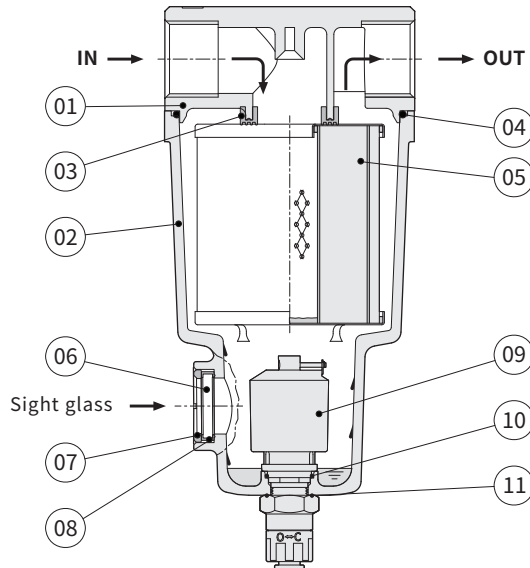
DMM(D)-500-A



DMM(D)-800-A



### Internal structure



### Components and material list

No.	Item	Material	Quantity	No.	Item	Material	Quantity
01	Body	Aluminum alloy	1	07	Fixed ring	Iron	1
02	Plastic Bowl	Aluminum alloy	1	08	Ring	NBR	1
03	Packing	NBR	1	09	Auto drain	AD-55	1
04	O-Ring	NBR	1	10	O-Ring	NBR	1
05	Filter element		1	11	O-Ring	NBR	1
06	Sight glass	Tempered glass	1				

NC

NFC

PSN-10  
30,41

NFR

MFR

MFRD

NF

MF

MFD

NR

ARX

NPR

NL

N

DM

ERX

ERP

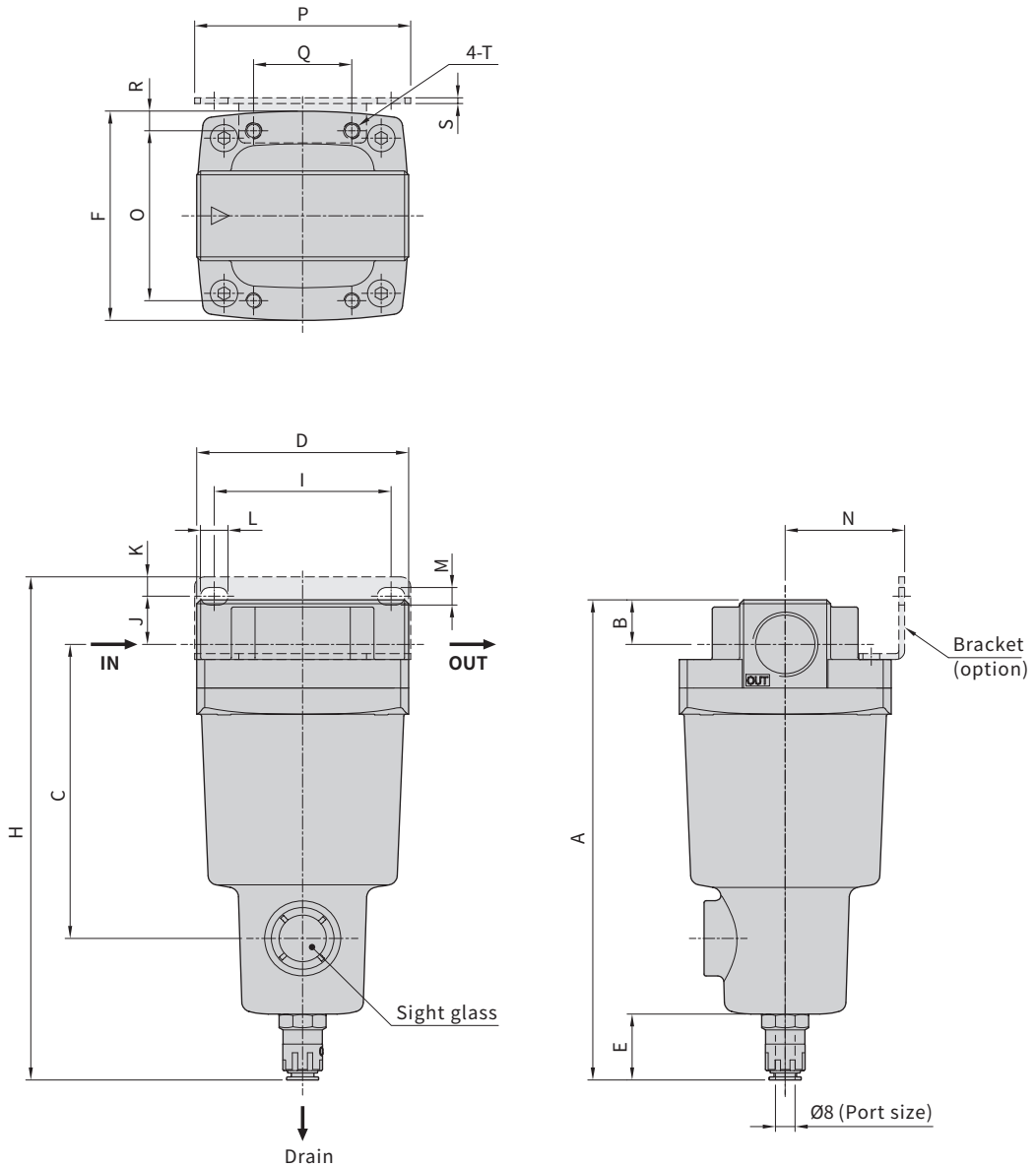
PG/AFB  
NDV/AD

# DM series - Large-sized filter

## Dimensions

CHELIC

DM -



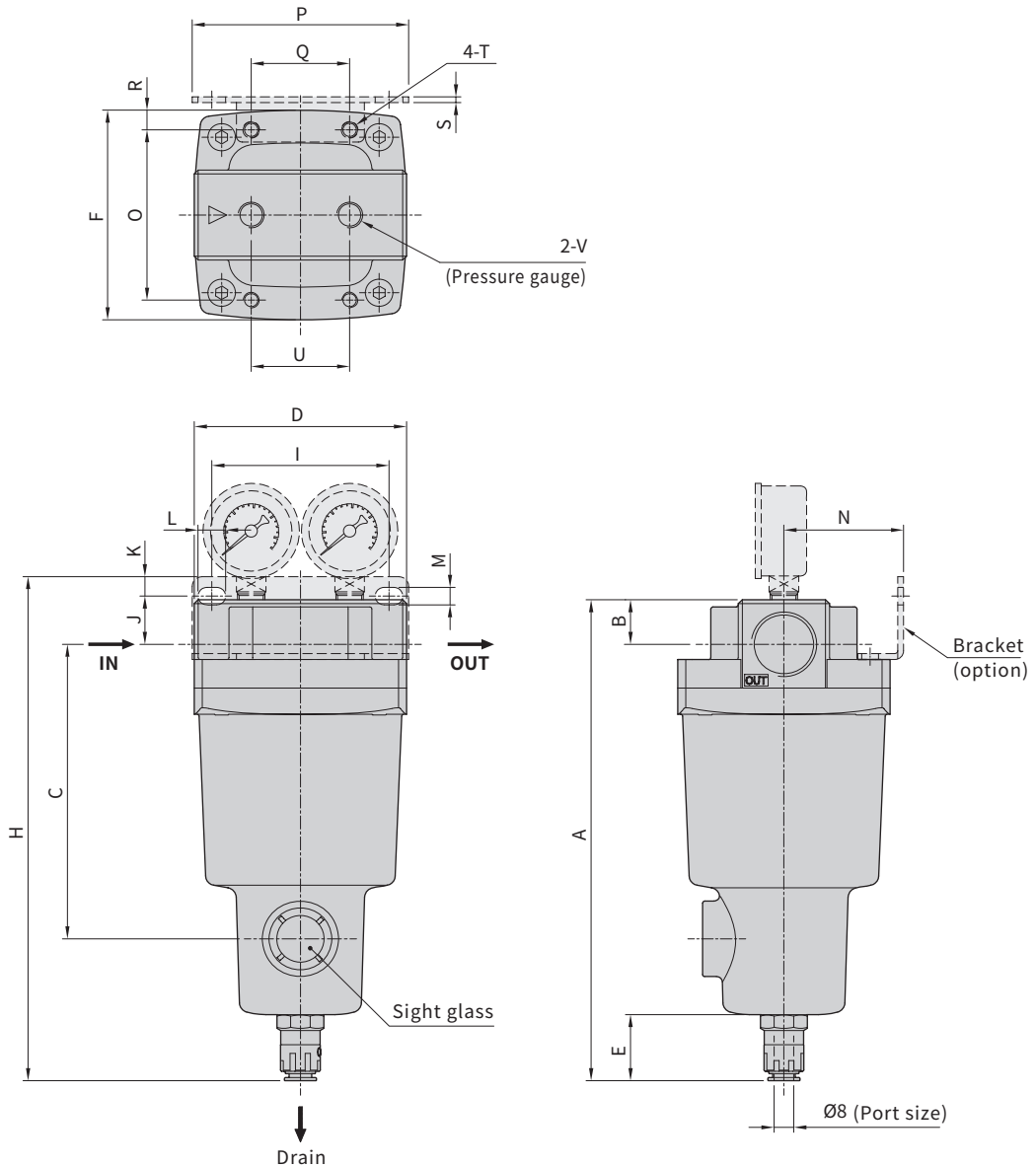
Item Model	Port size	A	B	C	D	E	F	Bracket related dimensions												
								H	I	J	K	L	M	N	O	P	Q	R	S	T
DM200	1/4, 3/8	172	14	113	76	34	76	190	66	24	8	10	6	40	66	80	28	5	2	M6x1.0P
DM300	3/8, 1/2, 3/4	221	17	133	90	34	90	231	80	19	8	14	7	50	80	100	34	5	2.3	M6x1.0P
DM500	1/2, 3/4, 1	248	23	152	108	34	108	260	90	25	10	14	9	55	88	110	50	10	3	M8x1.25P
DM800	1, 1½	354	32	241	160	34	160	378	150	40	15	20	11	85	136	180	76	12	4.5	M10x1.5P

# DM series - Large-sized filter

## Dimensions

CHELIC

DM -  - PG -



Item Model	Port size	A	B	C	D	E	F	Bracket related dimensions												U	V	
								H	I	J	K	L	M	N	O	P	Q	R	S			T
DM200	1/4, 3/8	172	14	113	76	34	76	190	66	24	8	10	6	40	66	80	28	5	2	M6x1.0p	45	Rc 1/8
DM300	3/8, 1/2, 3/4	221	17	133	90	34	90	231	80	19	8	14	7	50	80	100	34	5	2.3	M6x1.0p	45	Rc 1/8
DM500	1/2, 3/4, 1	248	23	152	108	34	108	260	90	25	10	14	9	55	88	110	50	10	3	M8x1.25p	50	Rc 1/8
DM800	1, 1½	354	32	241	160	34	160	378	150	40	15	20	11	85	136	180	76	12	4.5	M10x1.5p	70	Rc 1/4

NC

NFC

PSN-10  
30,41

NFR

MFR

MFRD

NF

MF

MFD

NR

ARX

NPR

NL

N

DM

ERX

ERP

PG/AFB  
NDV/AD

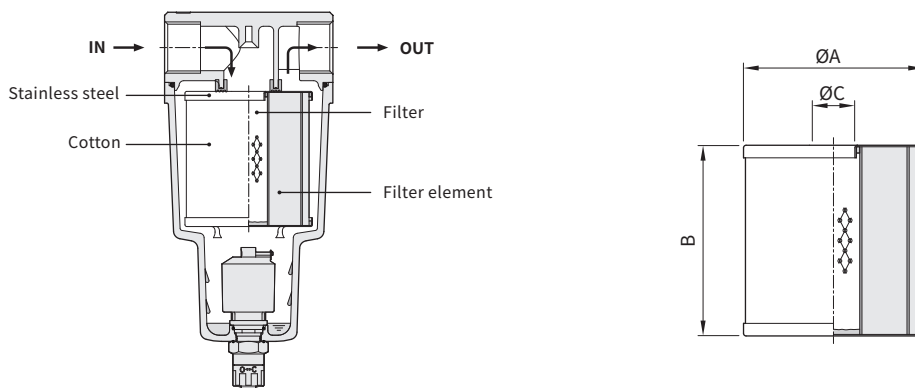


## Safety notice/ Large size filter/ Caution for application

CHELIC

- DM □ – 200series Large size filter
- 300series
- 500series
- 800series

### ● Filter element



### ◆ Specification

Model	Filter grade
DM □ – 200	W : Water drop removal ratio 99%
DM □ – 300	F : Filtration efficiency 3 $\mu$ m
DM □ – 500	M : Filtration efficiency 0.3 $\mu$ m
DM □ – 800	D : Filtration efficiency 0.01 $\mu$ m

### ◆ Dimension

Model	Mark	A	B	C
DM □ – 200		54	51	13
DM □ – 300		70	77	16.7
DM □ – 500		82	88	20
DM □ – 800		110	152.5	38

### ◆ Filter grade expression

Large size filter is divided into three specifications(DM-200, DM-300, DM-500, DM-800),for the flow.

There are four types for filter grade, "W" use for water drop removal ratio 99%;

"F" use for filtration efficiency (for example: the first tube after air reservoir).

"M" use for filtration efficiency, and it can also use in facilities which air quality over 0.3 $\mu$ m.

"D" use for good air quality when using accurate facilities, and it accompany with

"M" type filter and filter to 0.3  $\mu$ m for using.

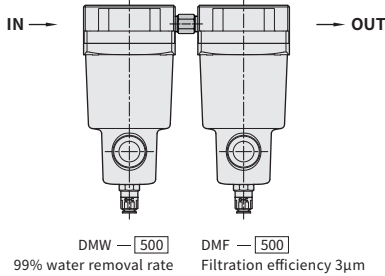


# Safety notice/ Large size filter/ Caution for application

CHELIC

## Example for using large size filter

DMW — 500 + DMF — 500

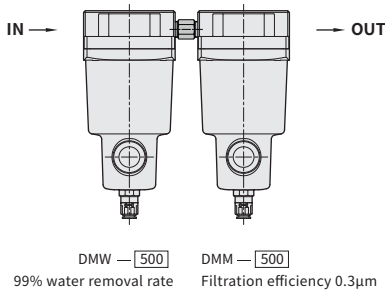


### • Expression :

DMW Mist Separator connect DMF filter of main piping line.  
The general operation is to be between the end of pressure resource from the air reservoir to split piping line.  
Removing oil made from air compressor and remove impurity inside the air reservoir. Making the particle rate of impurity in air under 3µm.

※ Suggestion for environment : General piping line and the parts of air pressure without water.

DMW — 500 + DMM — 500

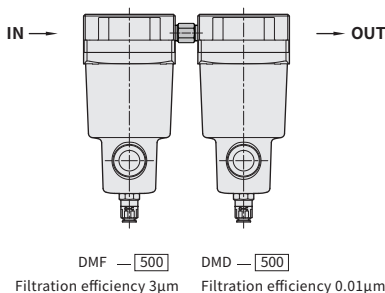


### • Expression :

DMW Mist Separator connect DMF secondary filter.  
The general operation to be between second bypass line of the main piping line to the pneumatic equipment of the maximum flow.  
Removing oil and impurity to avoid particle rate of line system too high to jam and increase product life span.

※ Suggestion for environment : The piping line in front of the pneumatic equipment ; for example: the pneumatic tools.

DMF — 500 + DMD — 500

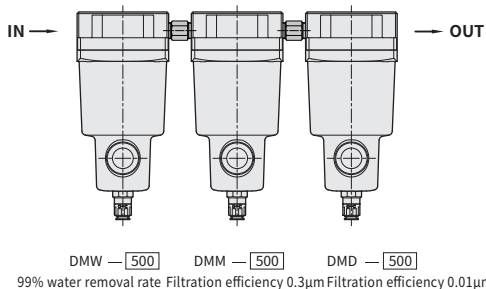


### • Expression :

The first main line filter 3µm of DMF connect the first filter 0.01µm of DMD.  
Using in a place where request high air quality.  
For example, spray painting and sandblasting and etc. that have to reach removing impurity of air and some water of air to provide dried air.

※ Suggestion for environment :  
Spray painting , sandblasting , the pneumatic tools and so on.

DMW — 500 + DMM — 500 + DMD — 500



### • Expression :

DMW mist filter + DMM secondary filter+ DMD first filter is a complete set of removing oil , water, and impurity.  
To filter the air via three different functions to secondary environment and equipment. For example: using fitting between DMW and DMD to connect some parts which need 0.3µm equipment and other equipment can use 0.01µm. Increasing filter element life and owning stable air impurity rate by filter

※ Suggestion for environment : Small-Quantity spray painting , sandblasting and so on.

NC

NFC

PSN-10  
30,41

NFR

MFR

MFRD

NF

MF

MFD

NR

ARX

NPR

NL

N

DM

ERX

ERP

PG/AFB  
NDV/AD