

AFR/ BFR/ CFR series Filter Regulator

Product features

CHELIC



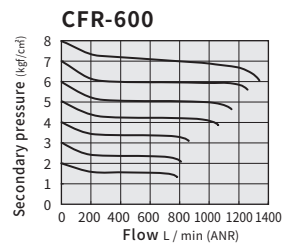
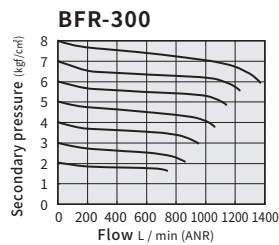
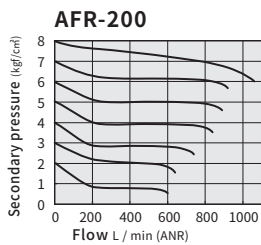
Symbol:



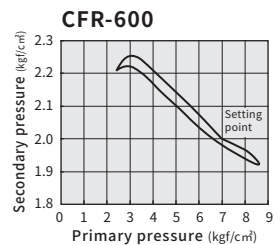
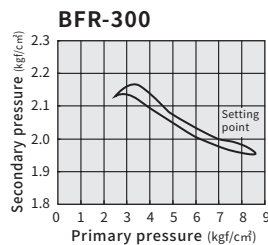
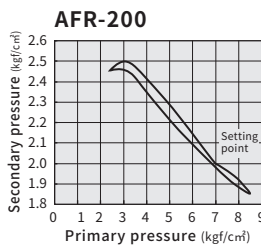
Specification

Item	Model	AFR-150 (200)	BFR-200 (300)	CFR-400 (600)
Fluid		Air		
Port Size	Rc	1/8, (1/4)	1/4, (3/8)	1/2, (3/4)
Filter grade		5 μm		
Pressure range	kgf/cm ² (kPa)	0.5~8.5 (50~850)		
Max. pressure	kgf/cm ² (kPa)	9.5 (950)		
Ambient and fluid temperature	°C	5~60		
Bowl capacity	cc	15	60	100
Weight	kg	0.26	0.46	1.15
Material	Body	Aluminum die-casted		
	Bowl	Relieving type		

Flow rate characteristic graph



Pressure characteristics graph



AC
BC
CC

AF
BF
CF

FR

F

R

L

A/B/C

AFR/ BFR/ CFR series Filter Regulator

Code of order

CHELIC

Code of order

AFR - 200 - G - BG - A - F1 - PG 10A - L2 - Bracket

Model ① Port size ② Thread type ③ Bowl ④ Fitting ⑤ Pressure gauge ⑥ Max. adjustable pressure ⑦ Bracket ⑧

Model	Mark	150	200	300	400	600
AFR	Port size	1/8	1/4	3/8	1/2	3/4
BFR	Port connection	●	●	●	●	●
CFR	Port connection				●	●

※ Filter regulator series
AFR : Mini size
BFR : Medium size
CFR : Large size

Thread type	None	G	N
RC	●	●	●
G	●	●	●
NPT	●	●	●

Bowl type	None	Other bowl type
PC (short bowl)		option
Bowl guard (standard)		option
Bowl guard (standard)		option

※ Please see the below table in detail.

Fitting	None	-F1
Manual drain cock		option

※ Please see the below table in detail.

Pressure gauge	None	standard
PG-10A		8.5 kg/cm ² (AC Series)
PG-10A		2 kg/cm ² (AC Series)
PG-20A		4 kg/cm ² (AC, BC Series)

※ For A series
※ For A, B series

Max. adjustable pressure	None	standard
L1		1 kg/cm ² (AC Series)
L2		2 kg/cm ² (AC Series)
L4		4 kg/cm ² (AC, BC Series)

※ For A, B series

None : With Bracket (Standard)

▶ Bowl and Drain cock type ← ④

▶ With Fitting - F1 ← ⑤

▶ A series ④

Bowl type	PC bowl		Bowl guard	
	Manual drain cock	Differential pressure	Manual drain cock	Differential pressure
Model	None	-A	-BG-H	-BG-A
AFR-150	● (standard)	● (option)	● (option)	● (option)
AFR-200	● (standard)	● (option)	● (option)	● (option)

▶ B, C series ④

Bowl type	Bowl guard		
	Manual drain cock	Semi-Automatic	Auto drain
Model	-H	-S	-A
BFR-200	● (standard)	● (option)	● (option)
BFR-300	● (standard)	● (option)	● (option)
CFR-400	● (standard)	● (option)	● (option)
CFR-600	● (standard)	● (option)	● (option)

▶ A series ⑤

A series Note	—	● (standard)	● (option)	● (standard)
Note		Note1 (Outside fitting)	Note1 (Outside fitting)	Note1 (Outside fitting)

▶ B, C series ⑤

B, C series Note	● (option)	● (option)	● (option)
Note			

🔍 Note: 1. A series are outside fitting, others are inside fitting; please refer to P.1-1.06 auto drain construction.
2. (standard): Standard accessory; (option): Optional accessory.

▶ Pressure gauge ⑥

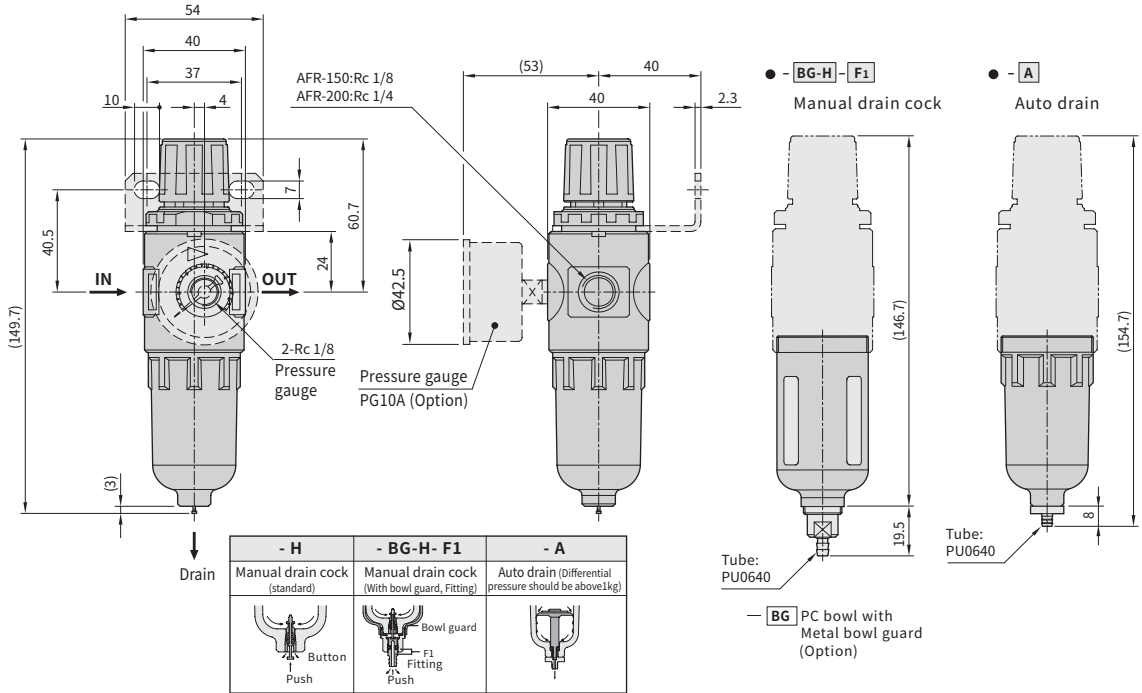
Pressure gauge		Model					
Code	Model	AFR-150	AFR-200	BFR-200	BFR-300	CFR-400	CFR-600
PG10A	PG-10A	● (option)	● (option)	—	—	—	—
PG20A	PG-20A	—	—	● (option)	● (option)	● (option)	● (option)

AFR/ BFR/ CFR series Filter Regulator

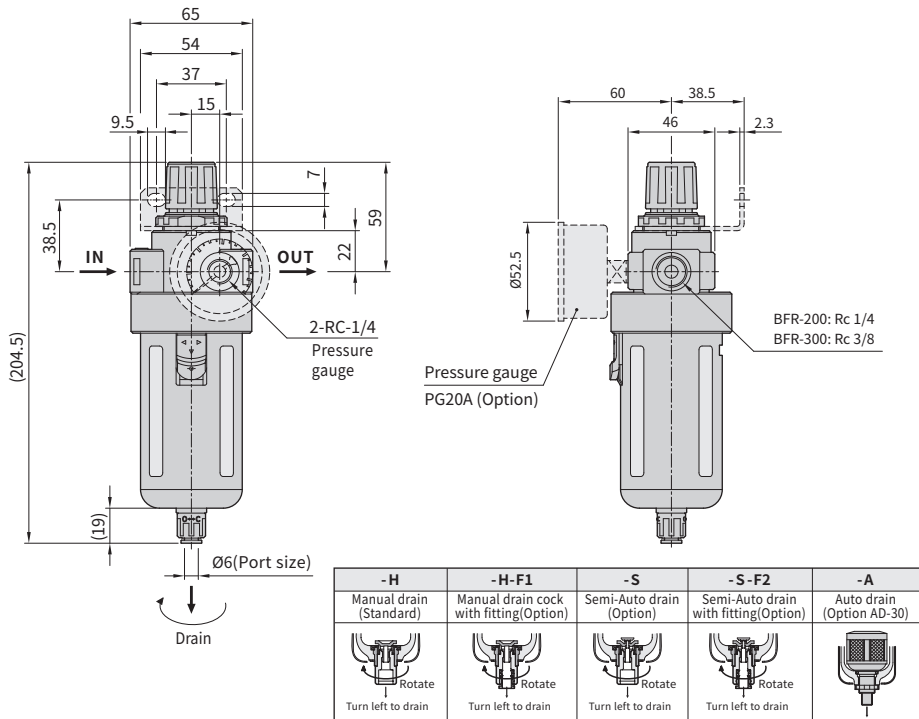
Dimensions

CHELIC

AFR - 150 Standard



BFR - 200 Standard



AC
BC
CC

AF C
BF C
CF C

FR

F

R

L

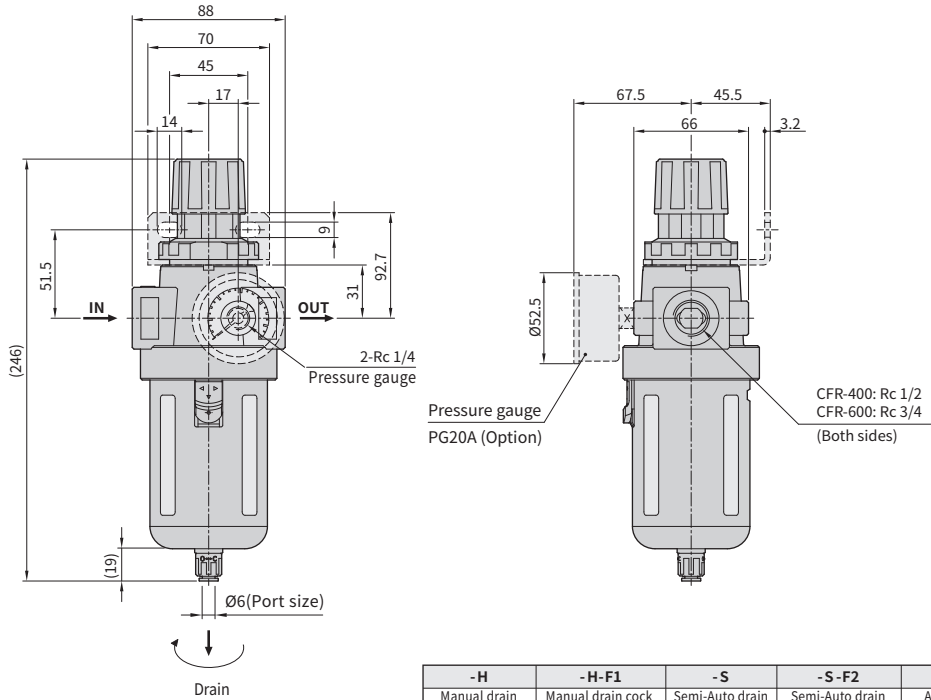
A/B/C

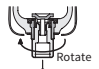
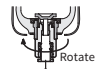
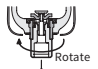
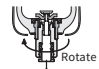

AFR/ BFR/ CFR series Filter Regulator

Dimensions

CHELIC

CFR - 400 - H Standard



-H	-H-F1	-S	-S-F2	-A
Manual drain (Standard)	Manual drain cock with fitting (Option)	Semi-Auto drain (Option)	Semi-Auto drain with fitting (Option)	Auto drain (Option AD-30)
				
Rotate Turn left to drain	Rotate Turn left to drain	Rotate Turn left to drain	Rotate Turn left to drain	