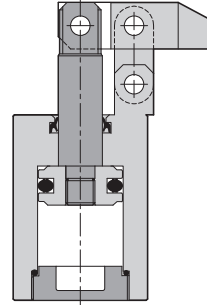


HUK series - Hydraulic compact cylinder

Operation specification and Ordering expression

CHELIC PNEUMATIC

Internal structure



SCR(L)
Swing
Clamp
Cylinder

HER
Double Rod
Swing Clamp
Cylinder

HGR(L)
Horizontal
Swing Clamp
Cylinder

HSR(L)
Pneumatic
Swing Clamp
Cylinder

HBR(L)
Pneumatic
Swing Clamp
Cylinder

HFR(L)
Pneumatic
Swing Clamp
Cylinder

HUR(L)
Hydraulic
Swing Clamp
Cylinder

HUK
Hydraulic
Compact
Cylinder

HN
Threaded
Body
Cylinder

HS
Hydraulic
Support
Cylinder

HCF
Compact
Hydraulic
Cylinder

HCS
Compact
Hydraulic
Cylinder

HCQ
Compact
Hydraulic
Cylinder

Specification

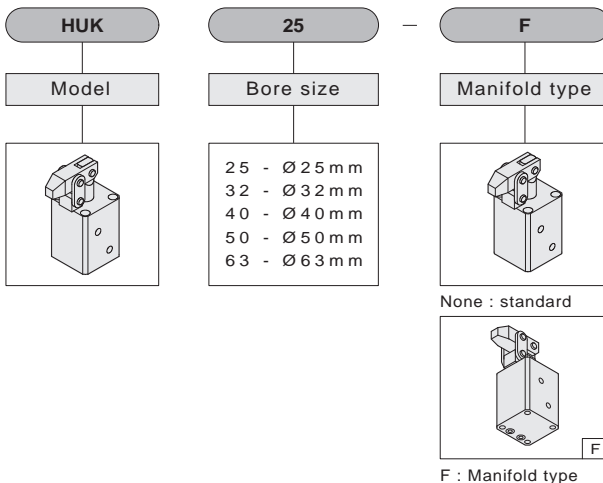
Item	Bore size (mm)	Ø25	Ø32	Ø40	Ø50	Ø63
Piston rod size	mm	Ø18	Ø20	Ø22.4	Ø28	Ø35
Standard stroke	mm	25	25	30	35	40
Operation		Double acting				
Fluid		Clean oil (ISO - VG68)				
The highest pressure	kgf/cm ² (kpa)	70 (7000)				
Pressure range	kgf/cm ² (kpa)	5 ~ 50 (500 ~ 5000)				
Theoretical clip force	N	1296N	2123N	3063N	4531N	6471N

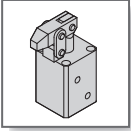
Note : Theoretical clip force = the operating pressure is 30kgf/cm²

Weight

Stroke size	Ø25	Ø32	Ø40	Ø50	Ø63	
Weight	kg	1.9	2.1	3.3	4.4	8.3

How to order





HUK series - Hydraulic compact cylinder

External dimension

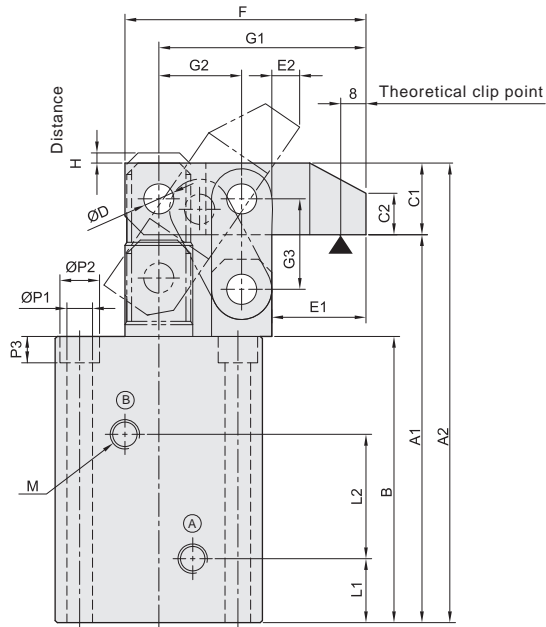
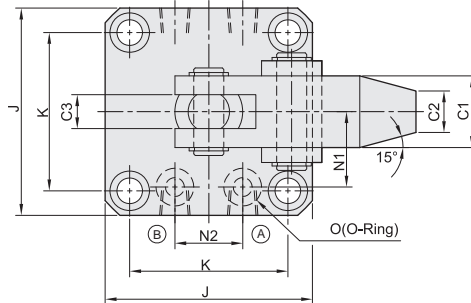
CHELIC PNEUMATIC

► HUK Ø25 ~ Ø63

► HUK - **F** : Manifold block type



- Ⓐ Free hole
- Ⓑ Clamp hole



Bore size	A1	A2	B	C1	C2	C3	D	E1	E2	F	G1	G2	G3
Ø25	103	122	76	19	11	9	8	25	5	64	55	22	24
Ø32	112	131	85	19	11	9	8	25	5	64	55	22	24
Ø40	122	144.2	90	22.2	13	10	10	30	5.5	77	66	26	29
Ø50	137	162.4	100	25.4	15	11	12	35.5	6.5	90	77	30	33
Ø63	156	187.8	111	31.8	19	15	15	45	12.8	112	96	36	39

Bore size	H	J	K	L1	L2	M	N1	N2	O	P1	P2	P3
Ø25	3	55	42	17	33	PT 1/8	20	18	P7	6.8	10.5	7
Ø32	3	57	44	19	38	PT 1/8	22	22	P7	6.8	10.5	7
Ø40	4	69	52	19	40	PT 1/4	26	26	P8	9	14	9
Ø50	5	75	58	21.5	45	PT 1/4	30	32	P8	9	14	9
Ø63	4	96	75	21.5	53	PT 1/4	38	38	P9	11	18	11