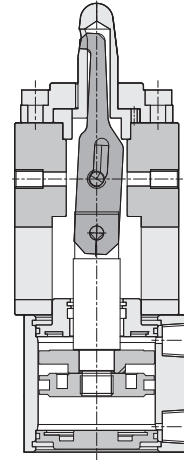


DCQS series - Pin clamp cylinder (Strong magnet type)

Operating specification and Ordering expression

CHELIC PNEUMATIC

Internal structure



Features :

- Cylinder tube was aluminum material , with aluminum oxide treatment , hard-wearing and hard-corrosiveness.
- Adopt no oil bearing and hard-wearing gasket to make lifetime be longer.
- Multifarious pipes position can choose.
- With cushion can slow down the impact of cylinder cover.
- Build-in strong magnet with magnetic field resistant sensor switch.

DN
Standard
Cylinder

DMB
Standard
Cylinder

DU
Standard
Cylinder

DNK
Rod
Locking
Cylinder

DNE
End lock
Cylinder

DCK2
Clamp
Cylinder

DCQ
Pin
Clamp
Cylinder

Specification

Unit : mm

Item	Bore size	Ø50
Operation		Double acting
Fluid		Air
Pressure range	kgf/cm ² (kpa)	1 ~ 7 (100 ~ 700)
Max. service pressure	kgf/cm ² (kpa)	8 (800)
Operating ambient temperature range	°C	0 ~ 60
Range of service speed	mm/sec	100 ~ 500
Port size		RC 1/8
Magnet		With magnet

Guide pin diameter

Unit : mm

Applicable hole diameter of workpiece	Guide pin diameter	Order number
Ø15	Ø14.5	145
	Ø14.7	147
Ø18	Ø17.5	175
	Ø17.7	177

How to order

DCQS — **A** — **50** — **177** — **A** — **SE** — **2**

Model — Installing position — Bore size — Guide pin diameter — Guide pin diameter — Sensor switch

DCQS :
Pin clamp cylinder
(Strong magnet type)

A

50 - Ø50

145 - Ø14.5
147 - Ø14.7
175 - Ø17.5
177 - Ø17.7

A

CS-180 Use for strong magnet
SS 2

None : Without sensor switch
 [SS] : Sensor switch code (CS-180)
 [2] : Sensor switch number
 1 = 1 PCS
 2 = 2 PCS

B

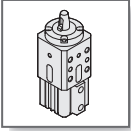
B

C

C

D

D

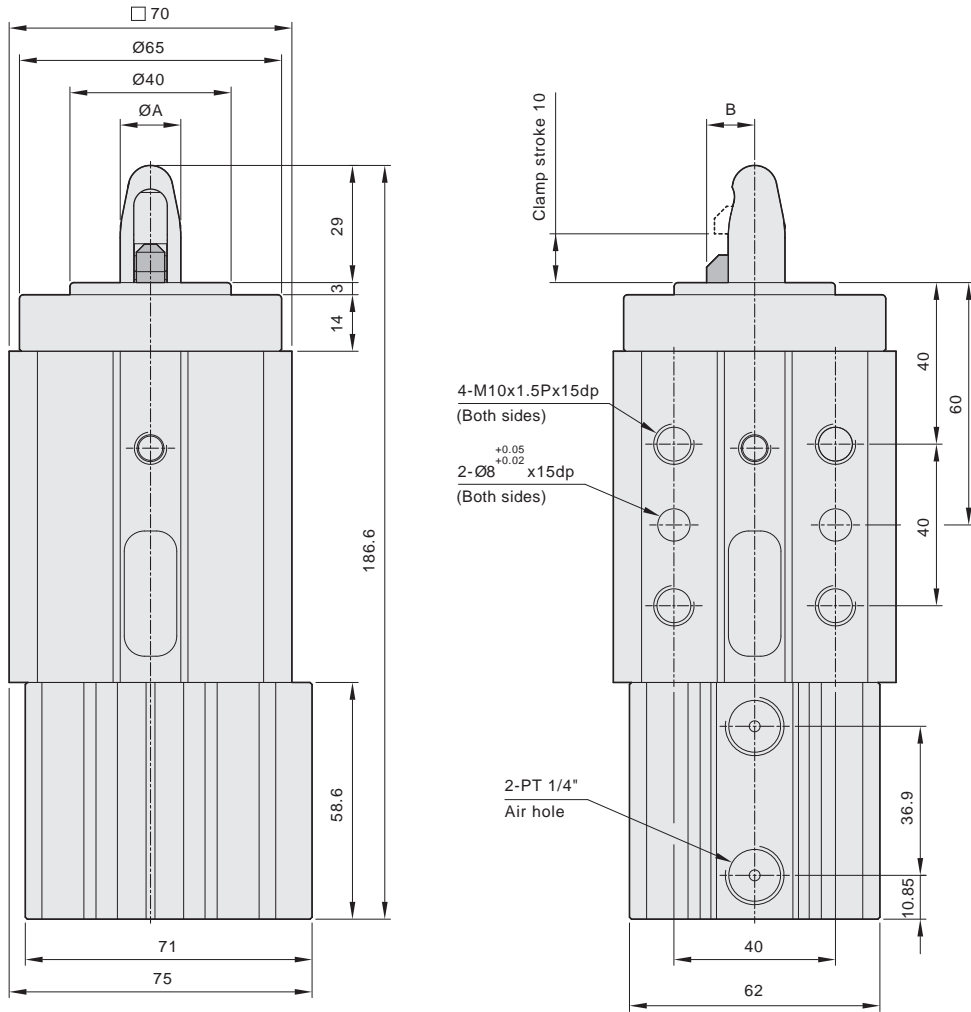


DCQS series - Pin clamp cylinder (Strong magnet type)

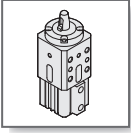
External dimension

CHELIC PNEUMATIC

DCQS Ø50



Diam	Size	145	147	175	177
A		14.5	14.7	17.5	17.7
B		11.4		11.9	

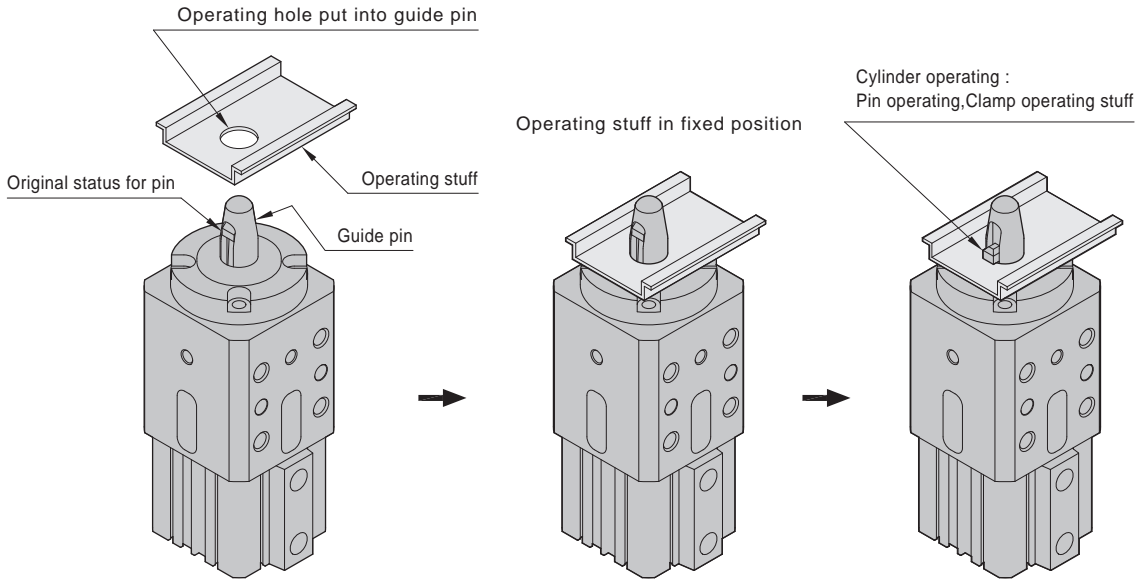


DCQS series - Pin clamp cylinder

Operation sample and Sensor switch dimension

CHELIC PNEUMATIC

Example



DN
Standard
Cylinder

DMB
Standard
Cylinder

DU
Standard
Cylinder

DNK
Rod
Locking
Cylinder

DNE
End lock
Cylinder

DCK2
Clamp
Cylinder

DCQ
Pin
Clamp
Cylinder

Part number	Guide pin dimension	Hole diam
145	14.5	Ø15
147	14.7	
175	17.5	Ø18
177	17.7	

Note : Guide pin will be changed by the diam of hole in order to get accurate position for operating stuff.

Sensor switch connection type

