



Air unit - Regulator

Specification / Order Expression

CHELIC.



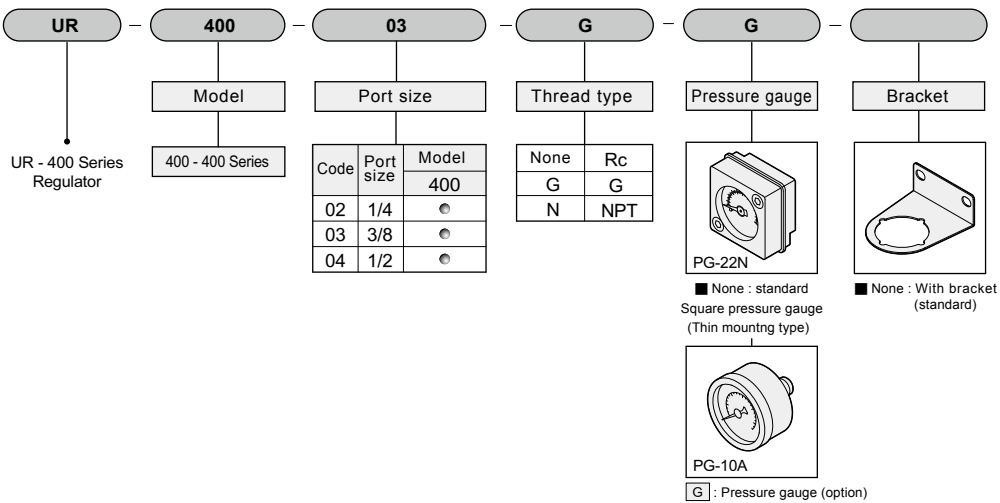
Symbol:

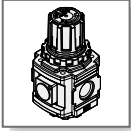


Specification

Item	Model	UR-400
Fluid		Air
Port size	Rc/G/NPT	1/4, 3/8, 1/2
Pressure range	kgf/cm ² (kPa)	0.5 ~ 8.5 (50 ~ 850)
Max. service pressure	kgf/cm ² (kPa)	10 (1000)
Temperature	°C	5 ~ 60
Weight	kg	0.458
Material	Main body	Aluminum die cast

How to order



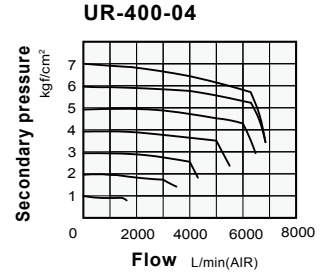
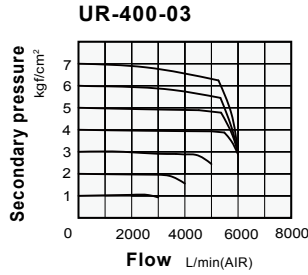
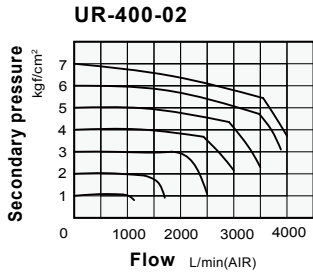


Air unit - Regulator

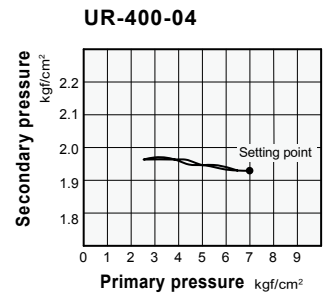
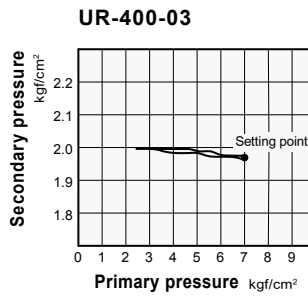
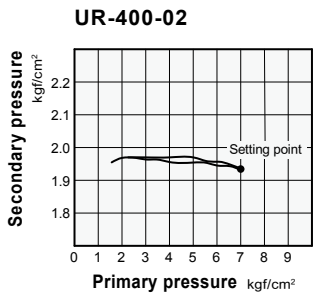
Flow Characteristics / External Dimensions

CHELIC

Flow characteristics

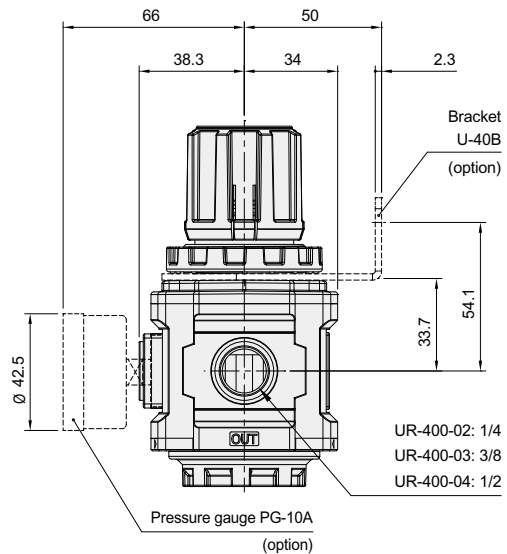
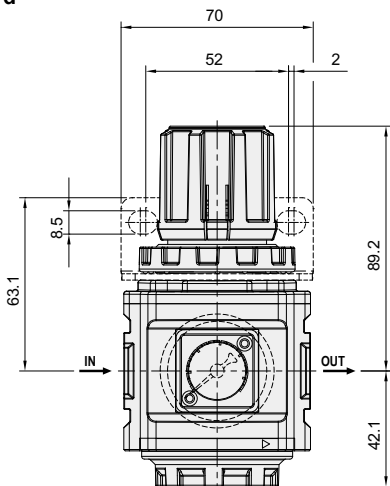


Pressure characteristic



UR - 400 -

Standard



Panel mounting dimensions

